

DuraShock

Product Manual

Fillauer®

Instructions






- Please review the indications, contraindications, and FAQ sections of the manual before use. These instructions should be read prior to fitting and followed to ensure the proper integration of the DuraShock into the patient's prosthetic system.
- The DuraShock stiffness is based on weight and activity level. Please provide accurate patient information so that the appropriate product may be selected.

Warranty

- 1 year from date of fitting

The DuraShock has been designed and manufactured for specific patient weights. The warranty will be voided if the weight rating for the pylon is exceeded or the pylon is modified in any way (other than cutting as instructed in the installation section). Evidence of obvious abuse or misuse will also void the warranty.

Product Specifications

| | | |
|-------------------------------------------------------------------------------------|---------------------------------------------------------------------------------------------------------------------------------------------------------------------------------------------------------------------------------------------------------|--------------------------------------------------------------------------------------------------------------------------------------------------------------------------------------------------------------------------------------------------------------------------------------------------------------------------------------------|
|  | <p>DuraShock, Long Pylon</p> <p>DS003L 30 mm, Red, 144 lbs. (65 kg)</p> <p>DS002L 30 mm, Blue, 179 lbs. (81 kg)</p> <p>DS001L 30 mm, Black, 220 lbs. (99 kg)</p> <p>DS004L 34 mm, Heavy Duty, 250 lbs. (113 kg)</p> | <ul style="list-style-type: none"> • 30 mm pylon, 15 oz. (428 g) • 34 mm pylon, 21.7 oz. (609 g) • Length as shipped 11.25 in. (28.6 cm) • 30 mm pylon minimum length 5.75 in. (14.6 cm) • 34 mm pylon minimum length 6.75 in. (17.145 cm) • Torque setting (setscrews) 16 N·m |
|  | <p>DuraShock, Short Pylon</p> <p>DS003S 30 mm, Red, 144 lbs. (65 kg)</p> <p>DS002S 30 mm, Blue, 179 lbs. (81 kg)</p> <p>DS001S 30 mm, Black, 220 lbs. (99 kg)</p> <p>DS004S 34 mm, Heavy Duty, 250 lbs. (113 kg)</p> | <ul style="list-style-type: none"> • 30 mm pylon, 11 oz. (318 g) • 34 mm pylon, 15.2 oz. (425 g) • Length as shipped 7.5 in. (19 cm) • 30 mm pylon minimum length 4.75 in. (11.4 cm) • 34 mm pylon minimum length 5 in. (12.7 cm) • Torque setting (setscrews) 16 N·m |
|  | <p>DuraShock, Tube Clamp</p> <p>DS003SC 30 mm, Red, 144 lbs. (65 kg)</p> <p>DS002SC 30 mm, Blue, 179 lbs. (81 kg)</p> <p>DS001SC 30 mm, Black, 220 lbs. (99 kg)</p> | <ul style="list-style-type: none"> • Weight 11.6 oz. (330 g) • Length as shipped 6 in. (15.2 cm) • Minimum build height 6.75 in. (17.1 cm) • Torque setting (setscrews) 16 N·m • Torque setting (clamp bolt) 10 N·m |
|  | <p>DuraShock, Short</p> <p>DS003SS Red, 144 lbs. (65 kg)</p> <p>DS002SS Blue, 179 lbs. (81 kg)</p> <p>DS001SS Black, 220 lbs. (99 kg)</p> <p>DS004SS Heavy Duty, 300 lbs. (136 kg)</p> | <ul style="list-style-type: none"> • Standard build height 3.5 in. (8.9 cm) • Heavy duty build height 4.25 in. (10.8 cm) • Torque setting (setscrews) 16 N·m |
|  | <p>MiniShock</p> <p>MS001SS 132 lbs. (60 kg)</p> | <ul style="list-style-type: none"> • Standard build height 2.38 in. (6 cm) • Pyramid size: Medium • Torque setting (setscrews) 16 N·m |

Installation

Deviating from the installation instructions or modifying the DuraShock in any way will void any product warranty and could lead to product failure and injury to the patient.

Orientation

The pylon may be installed with the pyramid receiver in the proximal or distal position (up or down) without effect on the performance.

Attachment

Alignment screws should be tightened to 16 N·m and the securing bolt on the tube clamp version should be torqued to 10 N·m.

Dampening Ring

A dampening ring is provided with the DuraShock and is used to fine tune the performance of the unit. Use of the dampening ring increases general stiffness for vertical shock and rotation. The ring is placed around the elastomer section and tightened down with wide-jaw pliers such as Channel Locks. An additional ring may be ordered and used for extra shock and rotation dampening.

The more the dampening ring is tightened, the less rotation and vertical travel the unit will have. In addition, placing the ring more distally will limit vertical travel while allowing more torsion.

Ensure the ring always has some tension on it to keep it from sliding off the shock. The dampener ring is released by sliding the two grooved sections apart.

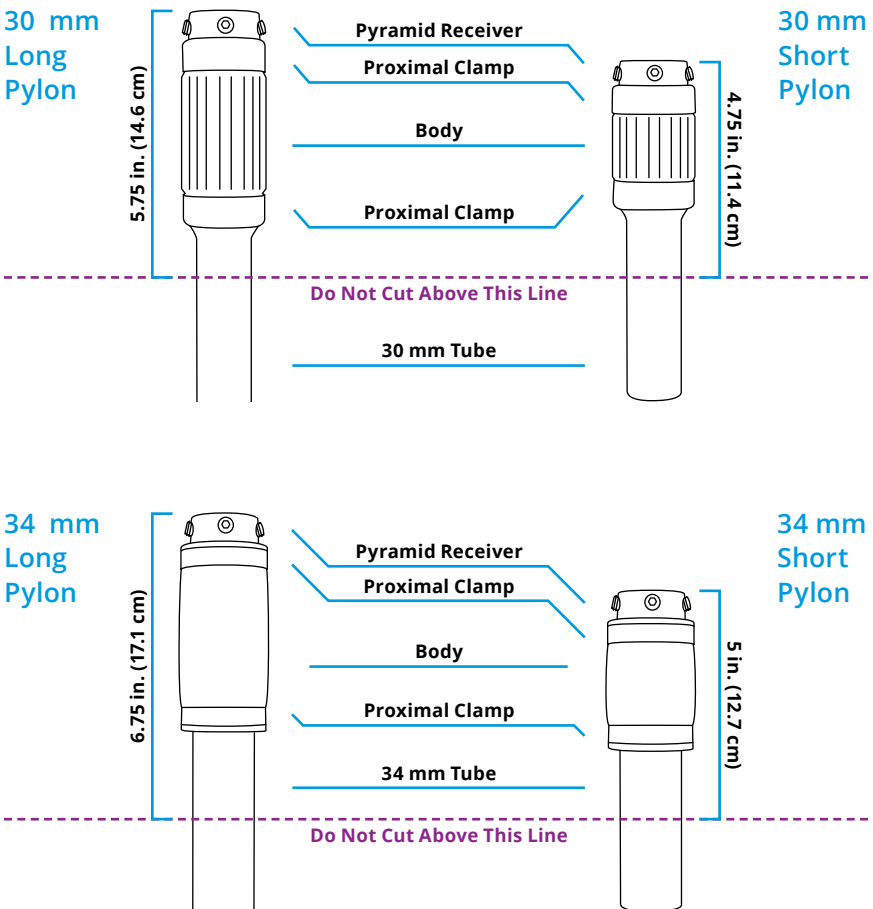
Installation of Tube Clamp or Short Version

Minimum length for installation of the tube clamp version is 6.75 in. (17 cm) when using a short tube adapter. The pylon or short tube adapter is cut to the desired length for required limb length and inserted into the clamp portion of the pylon. Please note: the pylon or short tube adapter must be fully inserted into the clamp adapter or failure may result. The Short version requires a pyramid receiver on one end and a pyramid device on the other. Please read the 30 mm and 34 mm pylon installation sections as they contain other information regarding installation of all DuraShocks.

Cutting the 30 mm Pylon

The minimum lengths for the long pylons are 5.75 in. (14.6 cm) for the 30 mm version and 6.75 in. (17.1 cm) for the 34 mm version. The minimum lengths for the short pylons are 4.75 in. (11.4 cm) for the 30 mm version and 5 in. (12.7 cm) for the 34 mm version. The pylon may be cut using a standard tube cutter, hack saw, or band saw. Care should be taken to ensure this valuable pylon is not cut too short. **Pylons are marked with a line indicating minimum cut length.**

The vertical travel of the DuraShock is designed to be close to that of the natural limb. Therefore, it is not necessary in most cases to compensate for the travel when cutting the pylon.



Maintenance and Care

The DuraShock pylon is designed to be maintenance free.

Lubrication

The DuraShock pylon is filled with a special permanent lubricant that will last the life of the unit. No lubricant should be used on or in the DuraShock as it may cause failure and will void the warranty.

Cap Screw

The cap screw in the top of the DuraShock pylon is not to be removed. It is the factory lubrication port. Turning this screw does not adjust the function in any way. Tampering with or removing this screw will void the warranty.

Adjustment

The alignment screws should be checked and torqued to the specifications of 16 N·m at least once per year.

Troubleshooting

| Description | Possible Cause | Solution |
|--------------------------------|---------------------------------------------------------------------------|-------------------------------------------------------------------------|
| Too much rotation | Dampening ring loose | Secure ring |
| | Wear/damage | Replace |
| Too much vertical displacement | Dampening ring loose | Secure ring |
| | Weight limits | Check weight activity rating for model installed. Replace if indicated. |
| | Wear/damage | Replace |
| Noise | Dampening ring loose | Secure ring |
| | Wear/damage | Inspect for malfunctioning condition |
| | Some semi-rigid covers may rub on pylon, socket or foot shell in rotation | Modify cover/add nylon |

Frequently Asked Questions

Can the rotation and shock function be adjusted or fine-tuned?

Yes, using the dampening ring, you may fine-tune the performance of the device. See instructions under “Dampening Ring” on page 4 of this manual.

Does it matter which end of the DuraShock attaches to the socket?

No. It may be attached in either orientation—pyramid proximal or distal.

Daily Care for the Patient

Changes in Performance

Any changes in performance or noises that might develop should be reported immediately to the practitioner.

Cleaning

If the DuraShock is left uncovered, it should be rinsed with fresh water after exposure to corrosive environments. In addition the unit may be cleaned with mild soap and water.

Lubrication

Do not attempt to lubricate!

What if the DuraShock gets wet?

The alignment screws should be checked at least every 6 months if the DuraShock is frequently in contact with water.

Fillauer[®]

www.fillauer.com

Fillauer LLC

2710 Amnicola Highway
Chattanooga, TN 37406
423.624.0946
Fax 423.629.7936



© 2017 Fillauer LLC
M026/02-03/06-06-17