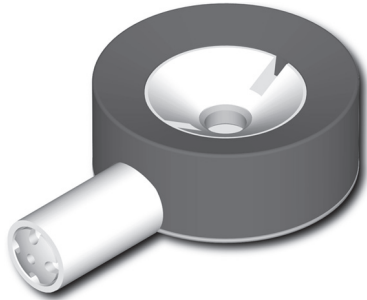


# Modular Shuttle Lock with Cylindrical Housing



125462 Shuttle Lock with Cylindrical Housing w/o Plunger

- Rated to 300 lbs.

## Shuttle Lock Assembly:

125462	Cylindrical Housing Shuttle Lock w/o Plunger
809860	Cylindrical Housing
809782	Shuttle Body
809784	Button Shield
809783	Guide Screw
809739*	Latch Pin
809785	Latch Pin Button
809711	Shuttle Lock
809756	Compression Spring
880033	5/16-18 x 3" SOC HD SS
809787	Pe-Lite™ Washer
880282	M6x1x20mm FHCS

## Plungers: (sold separately)

809722	Plunger 1", w/ 1/4-20 Thread
809725	Plunger 1 1/2", w/ 1/4-20 Thread
809727	Plunger 2", w/ 1/4-20 Thread
809722mm	Plunger 1", w/ M10 Metric Thread
809725mm	Plunger 1 1/2", w/ M10 Metric Thread
809727mm	Plunger 2", w/ M10 Metric Thread
809720mm	Plunger 2 1/2", w/ M10 Metric Thread
809721mm	Plunger 3", w/ M10 Metric Thread

## Shuttle Lock Sub Assembly:

809746	Shuttle Lock Sub Assembly
809782	Shuttle Body
809711	Shuttle Lock
809756	Compression Spring
880033	6-32 x 5/16" SOC HD SS

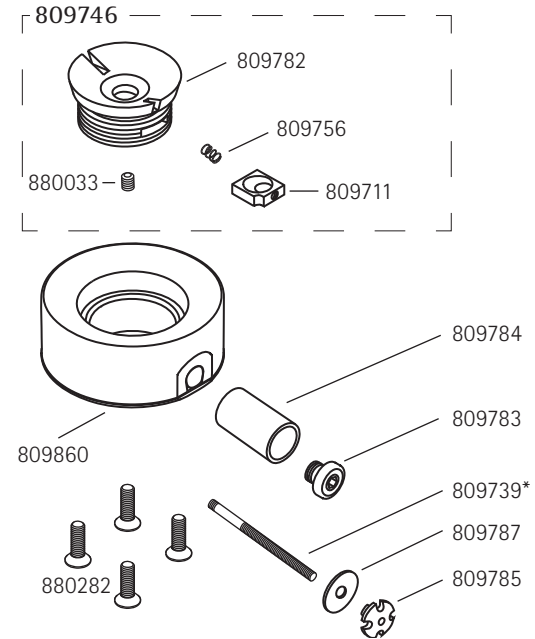
## Fabrication Kit For Thermoforming and Lamination:\*\*

809866	Cylindrical Housing Dummy Kit
809865	Fabrication Dummy Body
880275	M6X1X16MM SHSS Cone Pt.
880494	5/16-18x3" SOC HD S.S.

\*\*Also may use Fabrication Kits: 125204 and 125202 with this item.

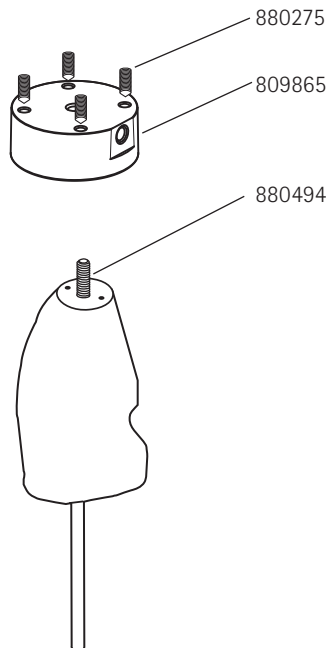
## Shuttle Lock Assembly and Plungers

	1/4" thread	Metric M10
1"	809722	809722 mm
1 1/2"	809725	809725 mm
2"	809727	809727 mm
2 1/2"	xx	809720 mm
3"	xx	809721 mm



\*Includes NEW Latch Pin w/ longer shoulder

## Fabrication Kit 809866



## Mold Preparation For Shuttle Configurations

### Attach Assembly and Blend

The model should be prepared with a 5/16 - 18 x 3" set screw in the distal end, aligned with the center line of the model with the hex socket\* within the plaster mold, the screw should protrude 1" beyond the end of the model for the housing dummy.

\* Except when using the 4-Hole Housing the Hex Socket must be exposed out of the plaster and should protrude 1 1/4" from bottom of shuttle or 2" out of the plaster.

Screw the housing dummy over the exposed set screw. Blend the distal end of the model to the inner flair of the housing with a plaster slurry.

### Prepare Model

- *Foam Model*

For foam models, apply a nylon hose and a PVA sleeve, tied off around protruding set screw.

- *Plaster Model*

Vacuum holes may be needed with plaster models especially near shuttle housing. If model is wet, use a casting balloon.

## Fabricating Shuttle Lock with Cylindrical Housing

### Thermoforming

Any customary plastic may be used for definitive or check socket fitting. Standard drape or blister forming techniques may also be used with sufficient vacuum. Drape formed Durr-Plex is commonly used with a clear check socket especially with the Socket Evaluation System.

Special care should be taken around the area of the button shield to prevent wrinkles especially when blister forming.

### Lamination

If laminating directly over the Cylindrical Housing, the button shield dummy must be screwed in the housing and the hex wrench hole filled with silicone gel. In addition, insert 4 screws or plugs into the threaded holes in the base along with silicone or wax coating to prevent resin from entering the housing cavity. If laminating over the Dummy Kit, add a wax coating to the housing dummy and to dummy set screws.

The suggested fabric lay-up is the inclusion of 1" carbon fiber tape (211144) laced over the housing body and extending up several inches fanning out over the distal socket section. Based on the weight (maximum of 300 lbs) and activity level of the patient, add appropriate stockinettes and strengthening fabrics.

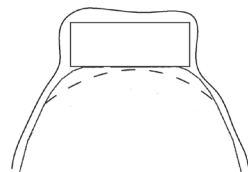
The selected resin should be prepared and poured into the outer PVA sleeve and thoroughly saturated around the housing. After the resin has hardened, a flat surface may be provided.

\*Alternatives - Fillauer Lock Systems Manual shows additional techniques that may be used for fabrication. If these methods are chosen, simply insert 4 M6 Socket head cap screws into the base of the housing or housing dummy. These will act as temporary posts that are necessary in order to use the flattening plates.

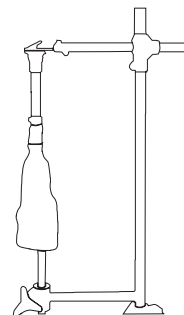
Fabrication of a socket for the Shuttle Lock with Cylindrical Housing may be performed in one of two methods.

1) Fabrication directly over the Cylindrical Housing - with this method, the Shuttle Body Dummy (809790), the Button Shield Dummy (809791), and a 5/16-18 set Screw (880494) will be necessary.

2) Fabrication directly over the Cylindrical Housing Dummy Kit (809866).



Thermoforming



Laminating

## Daily Care and Maintenance

*The Prosthetist should discuss the following inspection procedures and guidelines with the patient.*

- Check the locking mechanism for proper operation before each use. Discontinue use of prosthesis and contact your Prosthetist if locking mechanism is not performing as expected.
- Avoid bumping the button to prevent accidental un locking. This risk increases if the prosthesis is fabricated without a button shield.
- Keep the lock clean and free of debris for the best performance and proper lock engagement.
- Avoid humid or wet environments and always dry the components should they get wet. Prolonged exposure to moisture can cause metal components to corrode and fail prematurely.
- Should the lock malfunction in any way (e.g. accidentally disengage, fail to release, etc.), discontinue use of the lock immediately and contact your Prosthetist.
- Contact your Prosthetist should you have any questions or concerns.

## Fabrication Guidelines

- A trained technician must perform fabrication of the prosthesis.
- Do not modify the housing or the locking mechanism in any way.
- Use a thread locker to secure all threaded fasteners.
- Use of the button shield and guide screw, when provided, is required for safest operation. Failure to use the button shield significantly increases the likelihood of accidental disengagement of the lock.
- A minimum of 3 teeth must enter the shuttle and clutch locks for safest operation.
- This device is intended for single patient use.

**Failure to follow these guidelines will void any warranty.**