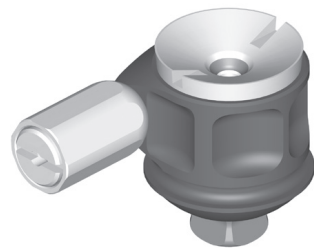


Features	Benefits
<ul style="list-style-type: none"> • Made with corrosion resistant components • Open design with large clearance • New flexible plunger • Smooth clutch mechanisms • Easy to remove and service • Available in several versions Delrin, Pyramid, and Cylindrical Housings • Distal Attachment versions rated to 300lbs. 	<ul style="list-style-type: none"> • Can be used in salt or fresh water • Allows muck and grime to wash through • Allows for easy donning even when plunger is misaligned • Quiet and stepless • Easy to clean • Wide selection of components based on amputees need • Heavy or high activity amputees can be accommodated

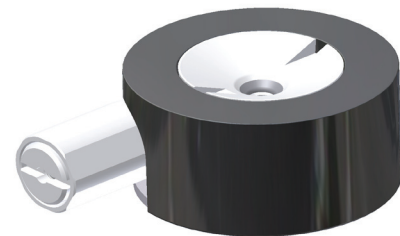
Indications	Contraindications
<ul style="list-style-type: none"> • Amputees requiring a distal attachment for use in water, muck, and grime. • Amputees with distal plunger attachment alignment issues. • Amputees requiring quiet, stepless operation with infinite positions 	<ul style="list-style-type: none"> • Amputees who are contraindicated for sleeve suspension in general due to poor upper extremity dexterity, skin irritation, excessive perspiration, longer limb lengths or cognitive issues. • Previous wearers who require sound feedback for lock engagement and volume fluctuation. • Patients with longer limb lengths who cannot accommodate a distal lock attachment.

Product Description	Weight	Building Height
Delrin Housing Lock	2.6oz / 74g	31.8mm / 1.25 in
Pyramid Housing Lock	4.7oz / 133g	39.6mm / 1.56 in.
Cylindrical Housing Lock	4.6 oz / 132 g	31.8 mm / 1.25 in

Also available

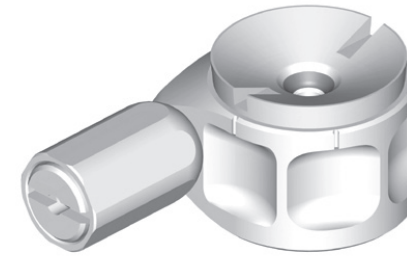


141002 Gator Grip with Pyramid Housing



141003 Gator Grip with Cylindrical Housing

The Gator Grip Lock with Delrin Housing



141001 Gator Grip with Delrin Housing

- Rated to 300 lbs.

Gator Grip Assembly:

- 141001 Lock Kit with Delrin Housing
 141150 Delrin Housing
 141105 Release Assembly w/ Spring, 1 ea.
 027827 Compression Spring, Stainless, 1 ea.
 140106 Latch Pin, 1 ea.
 141140 Release Rack, 1 ea.
 141142 Button Shield, 1 ea.
 141144 Latch Pin Button, 1 ea.

Lock Mechanism: (Not included in Kit)

- 141100 Gator Grip Modular Lock Cartridge
 141110 316 Stainless Steel 7/32" Ball Bearing, 4 ea.
 141112 316 Stainless Steel Internal Retaining Ring, 1 ea.
 141114 316 Stainless Steel Flat Washer, 1 ea.
 141120 Gear Driven Release Cam, 2 ea.
 141122 Cam Follower Spacer, 1 ea.
 141130 Modular Lock Cartridge Housing, Ti, 1 ea.
 141132 Ball Retainer, 1 ea.
 027826 Conical Compression Spring, Stainless
 882410 Cam Follower Screw, 2 ea.

Plungers: (Not included in Kit)

- 141015 Smooth Rigid Plunger, 1"
 141016 Smooth Rigid Plunger, 1-1/2"
 141017 Smooth Rigid Plunger, 2"
 141010 Flexible Plunger, 1-1/2"
 141011 Flexible Plunger, 2"
 141012 Flexible Plunger, 2-1/2"

Fabrication Kit:

- 141020 Gator Grip Fabrication Kit for Delrin and Pyramid Housing
 141190 Fabrication Dummy, 1 ea.
 141192 1 1/2" Plunger Extension, 1 ea.
 141194 2" Plunger Extension, 1 ea.
 141195 Button Dummy, 1 ea.
 880494 5/16-18 X 3" SHSS, 1 ea.

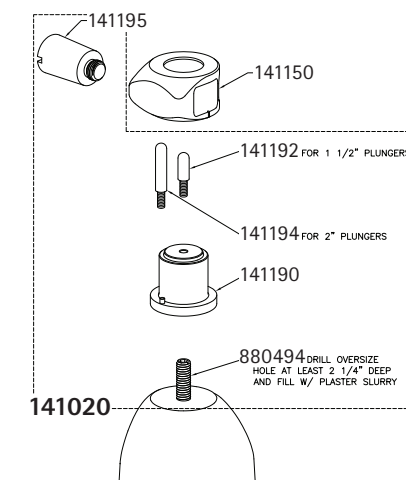
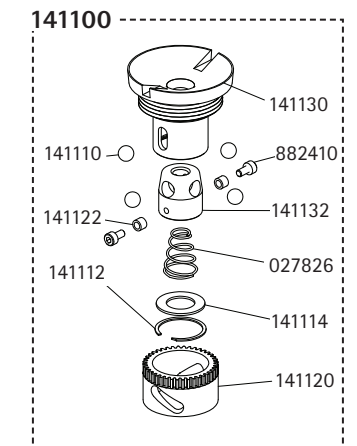
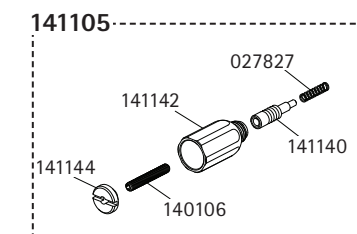
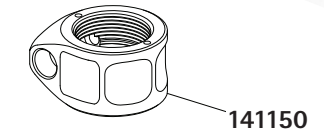
Gator Grip Assembly and Plunger

Smooth Rigid Plunger

1"	141015
1 1/2"	141016
2"	141017

Flexible Plunger

1 1/2"	141010
2"	141011
2 1/2"	141012



Mold Preparation For The Gator Grip Flexible Pin Lock

- Flatten the distal end of the model slightly and drill an oversize hole 2 1/4" deep to fit the 5/16-18x3" set screw.
- Assemble either the 1-1/2 extension (141192) or the 2" extension (141194) to the lamination dummy and then thread the 5/16-18 set screw into the dummy.
- Fill the hole in the distal end of the model with a plaster slurry and insert the set screw protruding from the dummy assembly. Mount the lock body onto the dummy, set the orientation, and align the lock with the centerline of the model.
- When the plaster has set, remove the dummy from the set screw and apply a nylon hose and a PVA sleeve tied off around the protruding set screw as close to the plaster mold as possible.

Fabricating of The Gator Grip with Delrin Housing

Thermoforming

Any customary plastic may be used for definitive or check socket fitting. Standard drape or blister forming techniques may also be used with sufficient vacuum. Drape formed Durr-Plex is commonly used with a clear check socket especially with the Socket Evaluation System.

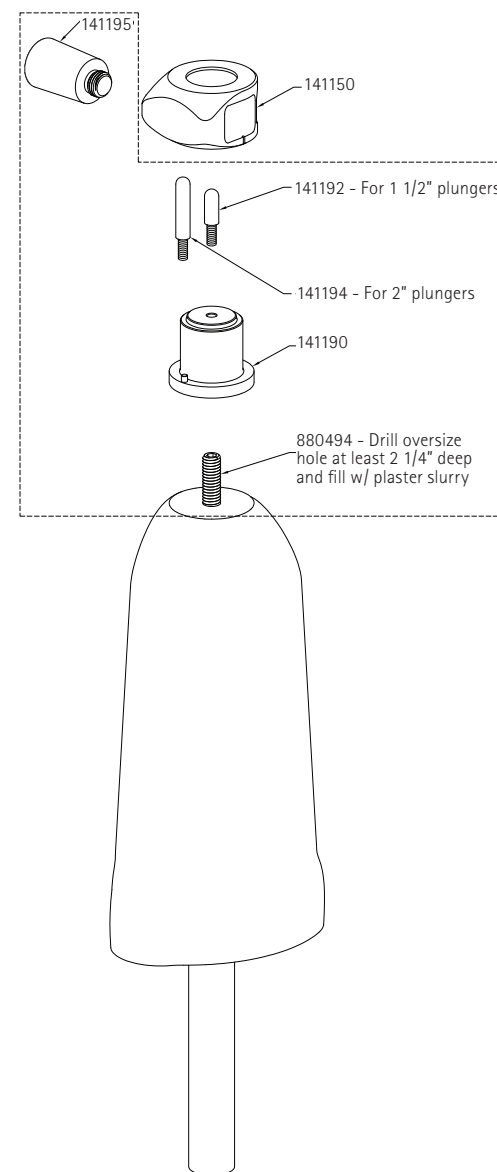
Special care should be taken around the area of the Gator Grip to prevent wrinkles and thinning especially when blister forming.

Two-Stage Lamination

Add a stick wax (#990035) coating to the Gator Grip threads before assembling to the Gator Grip Dummy. Button shield dummy must be screwed in the latch pin hole, then fill the wrench slot with silicone gel. The Delrin Housing is normally used in a two-stage lamination technique. In this method the Delrin housing is incorporated in the first lamination. The inner shell consists simply of Dacron and/or Nylon to form the inner socket. The outer lamination is reinforced with carbon or fiberglass taking into consideration the patient's weight and activity level. We suggest that the reinforcement include three 1" strips of carbon tape (#211144) fanned over the distal end of the socket, in addition to normal strengthening materials, tied into the groove of the socket adapter.

One-Stage Lamination

The Delrin Housing can also be used in a one-stage lamination techniques using a pyramid socket adapter or 4-hole socket adapter as the distal attachment (refer to the Fillauer One-Stage Lamination Manual for suggested techniques and fixtures). In this method the same reinforcement scheme using carbon, fiberglass, and nylon is tied into the groove of the socket adapter.



General Instructions and Lock Maintenance

The Fillauer Gator Grip Lock is operated by simply pushing the flexible plunger attached to the locking sleeve into the distal hole. Once the plunger has passed the ball bearing mechanism, the lock will secure the sleeve. The lock is stepless so it will silently lock at any position as the flexible plunger descends through the Gator Grip. To disengage the lock, the release button is pushed removing pressure from the bearings to the plunger.

The Gator Grip cartridge can be easily removed by unscrewing from inside the socket. Unlike other mechanisms, the release button does not need to be removed prior to unscrewing the cartridge.

The Gator Grip is constructed of high strength, corrosion resistant alloys, so it may be used in fresh water or salt water. It can also be used in dusty or muddy conditions that might damage other locks. The only requirement is that the lock be rinsed thoroughly especially after use in mud or grit.

Instructions to the Practitioner

- If the amputee uses the lock in the water or dirty conditions it should be rinsed thoroughly to wash any residue away.
- The amputee should be reminded that although the lock is corrosion resistant, other components within the prosthesis may not be.
- The Flexible Plunger should be inspected periodically for any fraying which may make the lock more difficult to disengage. Add loc-tite to the plunger threads when installing into the liner to avoid unscrewing.
- If the lock requires servicing it may be easily unscrewed from the housing and cleaned out. The button does not need to be removed for servicing.
- When fabricating, use the fabrication dummies and protective gel or stick wax to avoid clogging the liner with resin or plastic.
- The practitioner should discuss indications, contraindications, care and maintenance, and application instructions with the amputee and/or caregiver before use. In selecting the appropriate device, the practitioner should carefully consider the abilities of the amputee. The amputee or caregiver must be able to determine if the plunger is locked into place during daily application.
- When possible, a drainage path should be included in the prosthesis from the plunger cavity to the outside to allow debris to flow from the mechanism during rinsing.
- Instruct the Amputee to inspect the lock daily before using and to contact you if they notice anything unusual.

Instructions to the Patient

The Prosthetist should discuss the following inspection procedures and guidelines with the patient.

- If the lock is used in the water or dirty conditions, it should be rinsed thoroughly to wash any residue away.
- Although the lock is corrosion resistant for use in water, other components within the prosthesis may not be.
- To engage, simply slide the plunger into the distal attachment opening. To disengage press the release button and remove residual limb.
- If the amputee becomes stuck, press the release button while pushing down into the socket to disengage ball bearings from the plunger. Inspect sock and liner to insure that sock threads have not worked into the lock.
- Inspect the lock daily before using. If wear, cracks, or unusual noises are noticed please contact your practitioner immediately.
- Should the lock malfunction in any way (e.g. accidentally disengage, fail to release, etc.), discontinue use of lock immediately and contact your Prosthetist.

Standard lamination or thermoforming fabrication procedures may be used with the Gator Grip using the available fabrication kit. As always, it is essential that the lock be protected during fabrication to prevent materials from clogging its inner mechanisms which may cause product failure.

No lubrication is required for the Gator Grip. Periodic inspection every 6 months or sooner is suggested. The patient should be instructed to alert the prosthetist immediately if the function of the lock is questioned.

The pyramid version is rated for 300 lbs. and the Delrin version is unrated since the strength of the prosthetic attachment determines overall strength. Any use of the Gator Grip beyond the prosthetic use intended and described is prohibited and frees the manufacturer of any liability.