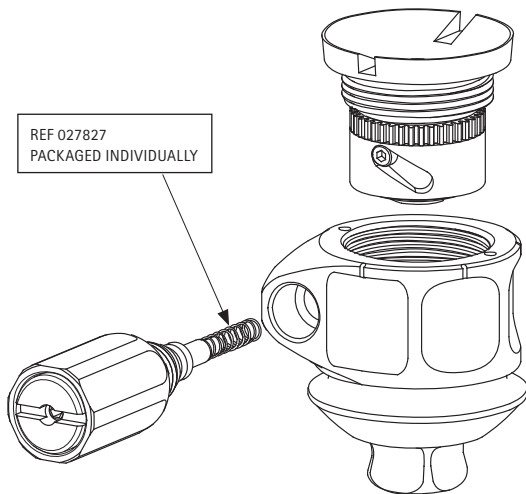


WARNING - Proper Assembly Required.

A small spring (027827) is packaged separately inside the Release Mechanism bag labeled 141105. This spring must be installed as shown in the illustration below for the Gator Grip lock to function properly. Failure to install this spring could result in a poorly functioning lock that may not lock or release as intended.



Assemble Lock as shown after Prosthesis is Fabricated.
Be sure to clean inside of housing thoroughly before assembly.