

Utah Arm Remote Power Modification

Prosthetist Manual

Fillauer[®]
Motion Control

Utah Arm Remote Power Modification

Prosthetist Manual

Introduction

In some cases, a patient may have difficulty pushing the On/Off switch of a Utah Arm U3 or U3+. This is sometimes the case with bilateral upper extremity limb loss, or involvement to the contralateral arm. In these cases, the Remote Power Modification allows placement of an On/Off switch in a more convenient location. An electrode kit is also available to simply touch the electrode to turn the prosthesis on or off.

This modification requires an additional circuit board (installed by Motion Control), 5-Wire harness, and a switch. The switch can be set to turn the arm on or off instantaneously (1/4 second) or hold the switch for 3 seconds.

Since this modification requires an additional circuit board, it cannot be used in conjunction with the i-limb®/bebionic® upgrade. That circuit board resides in the same space as the Remote Power Modification.

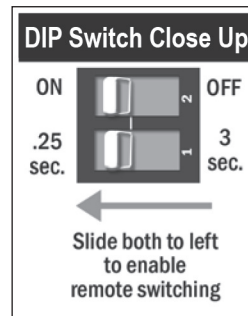
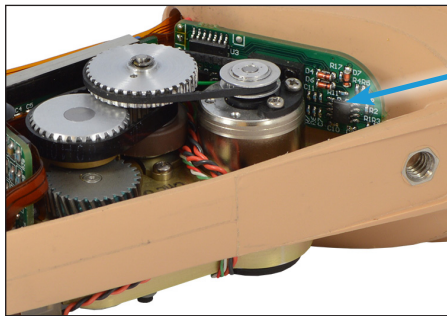


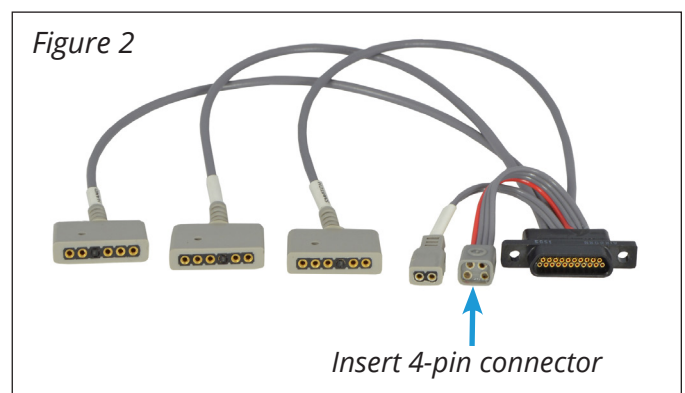
Figure 1 - Slide both DIP switches to the left to enable remote power.

Slide DIP switch #1 to the right for a 3-second Switch Time.

Requirements

The Remote Power Modification requires the use of the 5-wire harness. This harness is available at no extra charge when purchased in conjunction with a U3/U3+. Several switch designs are available and listed below. Electrode activated switching is also available. Simply plug the square 4-pin connector of the switch into the 4-pin connector of the 5-wire harness (the only plug unmarked) (Figure 2).

Figure 2



Adjustment

The circuit is located on the left side of the elbow (as if the patient is wearing the arm) just behind the motor. Two small DIP switches are located on the circuit. The top switch either enables or disables the Remote Power Switch. The bottom switch allows an instantaneous on/off (0.25 second hold time) or holding the remote switch down for 3 seconds (to prevent accidental power on/off).

Operation

If the DIP switch is in the ON position, the forearm ON/OFF switch should be left in the ON position. With the DIP switch in the OFF position, the forearm ON/OFF switch works as normal but the remote power switch will be deactivated.

Parts and Switch Options

Category	Description	Part No.
Parts	Remote Power Modification, Utah Arm	3010575
	5-Wire Harness (N/C with initial Arm purchase)	3010545
Switch Options	High Profile Remote Power Switch - Push, for Utah Arm, Tan	3010254
	High Profile Remote Power Switch - Push, for Utah Arm, Brown	3010255
	High Profile Remote Power Switch - Push, Black	3010716
	Remote Power Switch - Pull, for Utah Arm, Black	3010263
	Remote Power Switch Electrode Kit for Utah Arm	1100247
	Touch Electrode Cable for remote On/Off, Utah Arm	3010246
	Low Profile Remote On/Off Switch for Utah Arm, Tan	1362671
	Low Profile Remote On/Off Switch for Utah Arm, Brown	1390672
	Low Profile Remote On/Off Switch for Utah Arm, Brown	1390723

Declaration of Conformity

The product herewith complies with the Medical Device Directive 93/42/EEC guidelines, and is registered with the United States Food and Drug Administration (Registration No. 1723997).





www.fillauer.com

Motion Control, Inc.

115 N Wright Brothers Drive
Salt Lake City, UT 84116
801.326.3434
Fax 801.978.0848