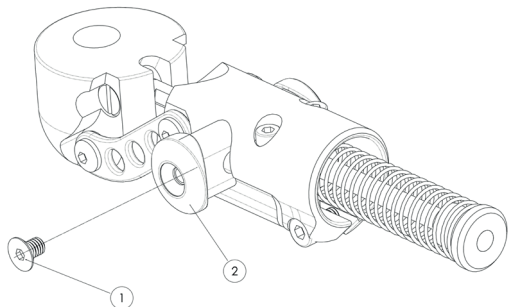


HOW TO REPLACE THE BUTTON

Step 1:

Remove the M4x6 countersunk screw (1).

Remove button (2).



Step 2:

Replace button

Make sure to mount the button correctly looking at the button from the side you will see that it has a profile that matches the profile of the elbow tube clamp.

Mount the button so that the parts match up.

Step 3:

Fasten the button using the M4x6 countersunk screw.
Do not overtighten as you risk breaking the button if you do. Just tighten until snug.

