

# TH Friction Adapter

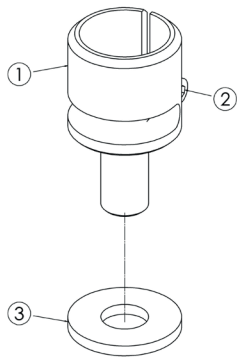
Product Manual

*Fillauer*<sup>®</sup>

## How to assemble the EndoArm TH friction adapter. Article 631028353

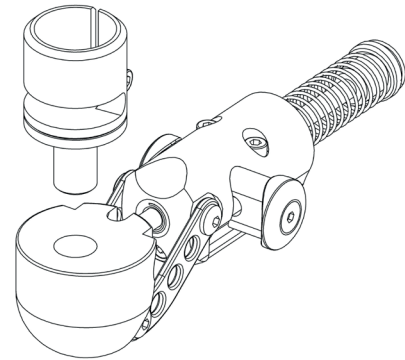
### Step 1

Attach the Nylon Washer 25x2,5x10,5 (3) to the stud of the AluTubeclamp TH Friction adapter (1).



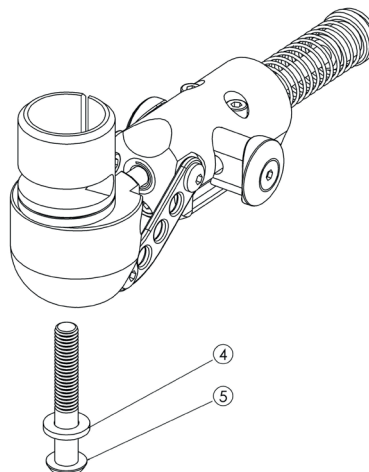
### Step 2

Insert into the Endoarm Elbow



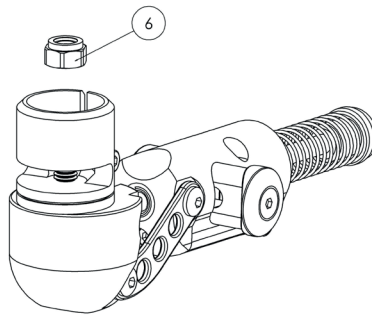
### Step 3

Attach M6x40 Dome Bolt (5) with Nylon Washer 12x1,6x6,4 (4) through the Endoarm Elbow and thread into the friction adapter



## Step 4

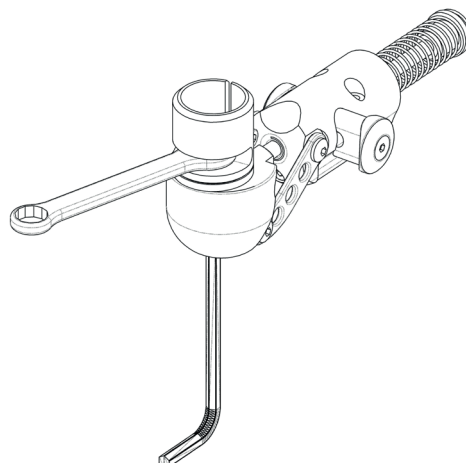
From the top attach the M6 Lock nut (6), but do not tighten yet.



## Step 5

Using a 4mm Hex key tighten the M6 Dome Bolt to give the required friction for the transhumeral assembly

Lock the friction setting by tightening the M6 lock nut using a 10mm wrench while using a 4mm hex key to hold the bolt in place.



*Fillauer*<sup>®</sup>  
www.fillauer.eu

**Fillauer Europe**

Kung Hans Väg 2  
192 68 Sollentuna, Sweden  
+46 8 505 332 00  
Fax +46 8 505 332 05  
TH Friction Adapter-2018-05-23