

Lower  
Extremity





# Fillauer®

In 1914, George Fillauer Sr. founded the Red Star Pharmacy in Chattanooga, Tennessee. In 1934, his son and fellow CPO, Carlton Fillauer expanded his father's business to establish Fillauer Orthopedic as an innovator in the orthotics and prosthetics industry. Today, the Fillauer Companies are headed by Karl Fillauer as Chairman and his son Michael as the CEO, since their inception, the Fillauer Companies have always been headed by CPO's, and have grown to be a globally renowned leader in the development, manufacturing, distribution and application of orthotic and prosthetic products. The expansion has mainly taken place by acquisitions of smaller manufacturing companies with a unique profile. Over the years we have become nine companies under the Fillauer umbrella and during the 100 year celebration in 2014 a decision was taken on how the company would be steered into the next century. Therefore a consolidation took place in 2015 where all the companies became Fillauer.

Fillauer Europe was founded as Centri in 1948. Located just outside Stockholm, Sweden, Centri joined the Fillauer Companies 2002. While Centri maintained the close, cooperative relationships it traditionally had with prosthetists in Scandinavia, as Fillauer Europe it has now become the European headquarters of Fillauer. With its extensive portfolio of products, Fillauer Europe is committed to working with prosthetists both in Europe, but also in other regions of the world in order to create only the best solutions for patients with all manner of prosthetic and orthotic needs. In addition, Fillauer Europe plays a lead Research & Development role within Fillauer. Fillauer Europe's products include upper and lower extremity prosthetics and the Dynamic Walk which has catapulted us to the forefront of the drop foot orthotics market. Our R&D department also works in partnership with many of Sweden's leading hospitals to develop innovative and high-tech machinery.



# Index

Fillauer Product Warranty	6
Returns, Adjustments, and Credits	7
Catalog symbol legend	8

## Feet

AllPro with Direct Mount Pyramid	10
AllPro - Posterior Mount	11
AllPro XTS	12
Obsidian DM	13
Obsidian PM / Sprint	14
Formula™	15
Aeris Performance 2	16
Aeris Performance LP	17
Ibex XD	18
Wave Comfort 3	19
Foot Shell	21
ProCover	22

## Alignment

ALP-AI Modular System	24
ALP-AI Kit with Lamination Adapter	24
ALP-AI Kit with Sealed Lamination Adapter	25
ALP-AI with Sealed Lamination Adapter	25
ALP-AI 4-Hole Adapter	26
ALP-AI Pyramid Female Adapter	26
ALP-Ti Modular System	27
ALP-Ti with Lamination Adapter	27
ALP-Ti with Small Lamination Adapter	28
ALP-Ti with Sealed Lamination Adapter	29
ALP-Ti Modular System	30
ALP-Ti with Lamination Adapter - AK system	30
ALP-Ti with Sealed Lamination Adapter - AK system	31
Sealing Washer	32
Lamination Fork	32

## Adapters

Tube Clamp Adapter for 30 mm Tube	34
Tube Clamp Adapter for 30 mm Tube	34
Double Adapter Pyramid Male/ Female	35
XD Heavy Tube Clamp Adapter for 34 mm Tube	35
XD Heavy Duty 4-Prong Adapter	36
Ankle Adapter with Angle Adjustment for 30 mm Tube	37
SACH Foot Adapter	37
DuraShock with Pylon	38
DuraShock Shorty	39
MiniShock	39
DuraTwist	40

Torsion Adapter	41
Slide Adapter	41
Aluminum Tube with Female Pyramid Adapter	42
Aluminum Tube 30 mm	42
XD Heavy Duty Tube 34 mm	43

## Valves

CSS Valve	45
CSS-R Valve Kit with String for Vacuum Release	46
Red Dot Air Expulsion Valve	47
CTFV Valve	48
CTFV - CSF Valve	48
S.F.S. Valve (Scandinavian Flexible Socket)	49
Tool Kit and Accessories for S.F.S. Valve	49

## Locks

Locking System Chart	51
Original Shuttle Lock	52
Modular Shuttle Lock - with Titanium Pyramid	53
Modular Shuttle Lock - with Delrin Housing	54
Modular Shuttle Lock - with Cylindrical Housing	55
Modular Shuttle Lock - with 4-Hole Housing	56
Cylindrical Lock System	57
Gator Grip - with Lock Pyramid Housing	58
Gator Grip Lock - with Delrin Housing	59
Gator Grip Lock - with Cylindrical Housing	60
Clutch Lock - with Titanium Pyramid	61
Clutch Lock - with Delrin Housing	62
Clutch Lock with Cylindrical 4-Hole Housing	63
Shuttle Vac	64
Shuttle Lock Plungers	65
Gator Grip Plungers	65
Clutch Lock Plungers	65
For Small Delrin Shuttle Lock	65
Lock Device Plungers	65
Latch Pins	66

## Sleeves & Liners

Absolute Preflexed Sleeve	69
Absolute Straight Sleeve	70
Absolute Straight Sleeve - No Fabric	71
Absolute Locking Liner - Thin Bottom	72
Absolute Locking Liner - Thick Bottom	73
Absolute Cushion Liner - Thin Bottom	74
Absolute Cushion Liner - Thick Bottom	75
Absolute Cushion Liner - No Fabric	76
Order form	

Custom Made Liner	77
ComforGel Prosthetic Sock	78
Prosthetic Sheet	78

## Knees

All - Terrain Knee	81
All - Terrain Knee Premium	82
ATK HydraPro	83
4-bar KD knee	84
Attachments	84
Endurance Hydraulic 160 Knee System	85
Hydraulic Control	86
Spectrum EX 4-Bar Pneumatic Knee	87
Weight Activated Locking Knee (W.A.L.K.)	88
Single Axis Friction Knee (S.A.F.K.)	89
Single Axis Locking Knee (S.A.L.K.)	90
MightyMite® 4-Bar Knee	91

## Cosmetic Solutions

Dream Skin Natural Definition	94
Foam Fairings for Transtibial Prosthesis	95
Expanded Pe-Lite™ Leg Covers for Transtibial Prosthesis	95
Foam Cover TT Adult	96
TT Prosthetic Sock	97
TF Prosthetic Sock	97

## Auxillary Suspension

PTB Cuff Suspension	99
Bar Vise Clamp	99
RMB Bar Channel Assembly for Supracondylar Suspension	100
Femoral Plastisol Condylar Wedges	100
Transtibial Waist Belt	101
Silesian Belt Kit Transfemoral Belt	101
Universal Silesian Belt Kit	101
Socket Attachment Plate for Silesian Belt	102

## Pediatric

AllPro - Pediatric	104
Pediatric Formula™	105
Little Feet Wood Core and Symes Models	106
MightyMite® SACH Growth Compensation Spacer	107
Pediatric Pneumatic 4-bar Knee	108
Attachments	108
MightyMite® 4-Bar Knee	109
MightyMite® 4-Bar Knee Proximal Attachments	109
MightyMite® 22 mm Pylons	110
MightyMite® BK Tube Clamp	111

MightyMite® 4-Hole Plate with Male Dovetail	111
Ankle Adapter	112
MightyMite® Alignment Adapter	112
MightyMite® BK Socket Adapter	113
MightyMite® 4-Hole Adapter	113
MightyMite® Rotatable Pyramid Receiver	113
MightyMite® 4-Hole Adapter with Rotation	114
MightyMite® AK Socket Adapter	114
MiniShock	115
MightyMite® Shuttle Lock with Cylindrical Housing	116
MightyMite® Modular Shuttle Lock with Titanium Pyramid	117
Small Modular Shuttle Lock - with Delrin Housing	118



# Fillauer Product Warranty

Fillauer items under warranty will be replaced or repaired (at Fillauer's discretion) at no charge, if the material or workmanship is found to be defective. Normal wear is not warranted. The warranty will be void if the item has been: a. fabricated or installed outside Fillauer's recommendations b. modified c. exposed to a corrosive environment d. if used outside of the products intended use. Below is a summary of warranties.

## ORTHOTIC, PROSTHETIC COMPONENTS AND EQUIPMENT

are warranted for 12 months from the date of shipment from the Fillauer warehouse or from an authorized Fillauer distributor with the following exceptions:

### SUSPENSION SLEEVES, SILICONE GLOVES, SPINAL BRACES & CUSTOM LINERS/SLEEVES

are warranted for 3 months from the date of shipment from the Fillauer warehouse or from an authorized Fillauer distributor.

Custom Fabrication Items, Prosthetic Liners, Dream Skin, Foot Shells, Cosmetic Gloves, Passive Hands and Trautman Tools & Accessories are warranted for 6 months from the date of shipment from the Fillauer warehouse or from an authorized Fillauer distributor.

## HOSMER HOOKS

are warranted for 18 months from the date of shipment from the Fillauer warehouse or from an authorized Fillauer distributor.

## ELBOWS

are warranted for 18 – 24 months from the date of shipment from the Fillauer warehouse or from an authorized Fillauer distributor. See specific product warranty for more information.

## FILLAUER FEET

are warranted for 12, 24, or 36 months

**12 months:** Running Blade

**24 months:** K2, Motion Foot® MX, Formula and Raize

**36 months:** AllPro, Aeris Activity, Aeris Performance 2, Aeris Performance LP, Element, Element DS, Ibex XD, and Wave Comfort 3

## COAPT & TASKA

Are warranted for 24 months from the date of shipment from the Fillauer warehouse or from an authorized Fillauer distributor.

**All warranties are voided by alteration or misuse of the product.**

## Returns, Adjustments, and Credits

Inspect all goods immediately upon receipt for damage or errors in shipping. Call Customer Service within 3 business days in the event of errors or damage. Credit will not be issued for custom items made to specification or non-stock items older than 30 days, unless Fillauer shipped in error or there is defect in materials or workmanship.

Prior approval and a return authorization number must be obtained from Customer Service for all goods returned. Credit for returned merchandise is subject to inspection and may be subject to a 15% restocking fee for merchandise in resalable condition. Goods returned without prior approval may be subject to a 25% restocking fee. No credit shall be issued for goods that are more than 12 months old. Returns must be returned in unopened sellable packaging accompanied by a copy of original invoice, order number, or PO number. The return authorization number, provided by Customer Service, must appear on the shipping label.



# Catalog symbol legend




## Specification symbols

- .....
- SE** Manufactured in Sweden
- .....
- US** Manufactured in USA
- .....
- JP** Manufactured in Japan
- .....
- TW** Manufactured in Taiwan
- .....
- TT** Transtibial
- .....
- TF** Transfemoral
- .....
- K2** Activity Level K2
- .....
- K3** Activity Level K3
- .....
- K4** Activity Level K4
- .....

## Color symbols

- .....
-  03 - Tan
- .....
-  09 - Light Brown
- .....
-  13 - Dark Brown
- .....
-  99 - Black
- .....
-  Red
- .....
-  Blue
- .....

## Specific symbols - Alignment

- .....
-  Lamination adapter, aluminum
- .....
-  Small lamination adapter, aluminum
- .....
-  Thermoplastic adapter, aluminum
- .....



# Feet

## Specification symbols

**SE** Manufactured in Sweden

**US** Manufactured in USA

**JP** Manufactured in Japan

**TW** Manufactured in Taiwan

**TT** Transtibial

**TF** Transfemoral



# AllPro with Direct Mount Pyramid



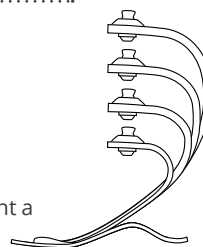
## Specifications

**Weight limit:** 330 lbs. (150 kg)  
**Heel height:** 3/8 in. (10 mm)  
**Product weight:** 19.4 oz. (550 g) Size 27  
**Warranty:** 36 month  
**Durability:** meets ISO 22675

## Build Heights

12.0 in.\* (30.5 cm)  
 10.0 in. (25.4 cm)  
 8.0 in. (20.3 cm)  
 6.0 in. (15.2 cm)

\*recommended for users who want a higher degree of energy return



## Product Features

- Versatile foot function adapts to all activities
- Industry-leading flexibility provides excellent plantar and dorsiflexion
- Split-Toe for multiaxial movement
- Carbon composite design for dynamic response
- Adjustable heel stiffness with replaceable bumper
- Compatible with ProCover
- The RPI pyramid allows two different placements of the alignment in reference to the foot length. Either 30% or 35% of foot length for TF or TT respectively

## Ordering information

- Includes foot and instruction manual
- Foot shell ordered separately, includes prosthetic sock.

### PRODUCT NUMBER

Replace XX-XX with the correct length and weight details from the table below

MODEL	HEIGHT	WEIGHT	FOOT SIZES	PRODUCT NUMBER
AllPro Foot	6 in. (15.2 cm)	420 g	19 - 30 cm	<b>137-106-XX-XX</b>
AllPro Foot	8 in. (20.3 cm)	450 g	19 - 30 cm	<b>137-108-XX-XX</b>
AllPro Foot	10 in. (25.4 cm)	500 g	22 - 30 cm	<b>137-110-XX-XX</b>
AllPro Foot	12 in. (30.5 cm)	600 g	22 - 30 cm	<b>137-112-XX-XX</b>

## ProCover

Replace XX with foot size 22 - 30 cm



COLOR	PRODUCT NUMBER
● 99	182-10-10XX

## Foot Shell

Replace XX with footsize: 22 - 30 cm



COLOR	LEFT	RIGHT
● 03	45-XX-13-03-3	46-XX-13-03-3
● 09	45-XX-13-09-3	46-XX-13-09-3
● 13	45-XX-13-13-3	46-XX-13-13-3
● 99	45-XX-13-99-3	46-XX-13-99-3

For foot shell in size 19-22 please contact Fillauer

WEIGHT		22 CM	23 CM	24 CM	25 CM	26 CM	27 CM	28 CM	29 CM	30 CM
50 - 74 lbs.	23 - 33 kg	<b>22-3A1</b>	<b>23-3A1</b>	<b>24-3A1</b>	-	-	-	-	-	-
75 - 99 lbs.	34 - 44 kg	<b>22-2A2</b>	<b>23-2A2</b>	<b>24-2A2</b>	-	-	-	-	-	-
100 - 119 lbs.	45 - 54 kg	<b>22-A2</b>	<b>23-A2</b>	<b>24-A2</b>	<b>25-B4</b>	<b>26-B4</b>	-	-	-	-
120 - 139 lbs.	54 - 63 kg	<b>22-A3</b>	<b>23-A3</b>	<b>24-A3</b>	<b>25-B4</b>	<b>26-B4</b>	<b>27-C6</b>	<b>28-C6</b>	-	-
140 - 159 lbs.	64 - 72 kg	<b>22-B4</b>	<b>23-B4</b>	<b>24-B4</b>	<b>25-B4</b>	<b>26-B4</b>	<b>27-C6</b>	<b>28-C6</b>	<b>29-D7</b>	<b>30-D7</b>
160 - 179 lbs.	73 - 81 kg	<b>22-B4</b>	<b>23-B4</b>	<b>24-B4</b>	<b>25-C5</b>	<b>26-C5</b>	<b>27-C6</b>	<b>28-C6</b>	<b>29-D7</b>	<b>30-D7</b>
180 - 199 lbs.	82 - 90 kg	<b>22-C5</b>	<b>23-C5</b>	<b>24-C5</b>	<b>25-C5</b>	<b>26-C5</b>	<b>27-D7</b>	<b>28-D7</b>	<b>29-D7</b>	<b>30-D7</b>
200 - 224 lbs.	91 - 102 kg	<b>22-C5</b>	<b>23-C5</b>	<b>24-C5</b>	<b>25-D6</b>	<b>26-D6</b>	<b>27-D7</b>	<b>28-D7</b>	<b>29-E8</b>	<b>30-E8</b>
225 - 249 lbs.	102 - 113 kg	-	-	-	<b>25-D6</b>	<b>26-D6</b>	<b>27-E8</b>	<b>28-E8</b>	<b>29-E8</b>	<b>30-E8</b>
250 - 275 lbs.	113 - 125 kg	-	-	-	<b>25-E7</b>	<b>26-E7</b>	<b>27-E8</b>	<b>28-E8</b>	<b>29-F9</b>	<b>30-F9</b>
276 - 300 lbs.	125 - 136 kg	-	-	-	<b>25-E7</b>	<b>26-E7</b>	<b>27-F9</b>	<b>28-F9</b>	<b>29-F9</b>	<b>30-F9</b>
301 - 330 lbs.	137 - 150 kg	-	-	-	<b>25-F9</b>	<b>26-F9</b>	<b>27-F9</b>	<b>28-F9</b>	<b>29-G10</b>	<b>30-G10</b>

Categories in purple are available in 6 and 8 in. pylon versions only. Sizes 19-21 cm are assembled with a pediatric pyramid that is compatible with standard 22 mm pylons and have a sandal toe. Please note what side you want.

### \*ProCover

See Page 25 for ProCover ordering information.

# AllPro - Posterior Mount



## Specifications

Weight limit: 330 lbs. (150 kg)  
 Heel height: 0.4 in. (10 mm)  
 Product weight: 19.6 oz. (557 g) Size 27  
 Warranty: 36 month  
 Durability: meets ISO 22675

## Build Height

Size	Build height
22 - 30 cm	3.0 in. (75 mm) (lowest)

## Product Features

- Versatile foot function adapts to all activities
- Industry-leading flexibility provides excellent plantar and dorsiflexion
- Split Toe for multiaxial movement
- Carbon composite design for dynamic response
- Adjustable heel stiffness with replaceable bumper
- Compatible with ProCover

## Ordering information

- Includes foot and instruction manual
- Foot shell ordered separately, includes prosthetic sock.

### PRODUCT NUMBER

Replace XX-XX with the correct length and weight details from the table below

MODEL	FOOT SIZES	PRODUCT NUMBER
AllPro Foot Posterior Mount	22 - 30 cm	<b>137-PM-XX-XX</b>
AllPro Posterior Mount Bracket		<b>180-10-2010</b>



### ProCover

Replace XX with foot size 22 - 30 cm



COLOR	PRODUCT NUMBER
● 99	182-10-10XX

### Foot Shell

Replace XX with footsize: 22-30cm



COLOR	LEFT	RIGHT
● 03	45-XX-13-03-3	46-XX-13-03-3
● 09	45-XX-13-09-3	46-XX-13-09-3
● 13	45-XX-13-13-3	46-XX-13-13-3
● 99	45-XX-13-99-3	46-XX-13-99-3

WEIGHT		22 CM	23 CM	24 CM	25 CM	26 CM	27 CM	28 CM	29 CM	30 CM
100 - 119 lbs.	45 - 54 kg.	<b>22-A2</b>	<b>23-A2</b>	<b>24-A2</b>	<b>25-B4</b>	<b>26-B4</b>	-	-	-	-
120 - 139 lbs.	54 - 63 kg.	<b>22-A3</b>	<b>23-A3</b>	<b>24-A3</b>	<b>25-B4</b>	<b>26-B4</b>	<b>27-C6</b>	<b>28-C6</b>	-	-
140 - 159 lbs.	64 - 72 kg.	<b>22-B4</b>	<b>23-B4</b>	<b>24-B4</b>	<b>25-B4</b>	<b>26-B4</b>	<b>27-C6</b>	<b>28-C6</b>	<b>29-D7</b>	<b>30-D7</b>
160 - 179 lbs.	73 - 81 kg.	<b>22-B4</b>	<b>23-B4</b>	<b>24-B4</b>	<b>25-C5</b>	<b>26-C5</b>	<b>27-C6</b>	<b>28-C6</b>	<b>29-D7</b>	<b>30-D7</b>
180 - 199 lbs.	82 - 90 kg.	<b>22-C5</b>	<b>23-C5</b>	<b>24-C5</b>	<b>25-C5</b>	<b>26-C5</b>	<b>27-D7</b>	<b>28-D7</b>	<b>29-D7</b>	<b>30-D7</b>
200 - 224 lbs.	91 - 102 kg.	<b>22-C5</b>	<b>23-C5</b>	<b>24-C5</b>	<b>25-D6</b>	<b>26-D6</b>	<b>27-D7</b>	<b>28-D7</b>	<b>29-E8</b>	<b>30-E8</b>
225 - 249 lbs.	102 - 113 kg.	-	-	-	<b>25-D6</b>	<b>26-D6</b>	<b>27-E8</b>	<b>28-E8</b>	<b>29-E8</b>	<b>30-E8</b>
250 - 275 lbs.	113 - 125 kg.	-	-	-	<b>25-E7</b>	<b>26-E7</b>	<b>27-E8</b>	<b>28-E8</b>	<b>29-F9</b>	<b>30-F9</b>
276 - 300 lbs.	126 - 136 kg.	-	-	-	<b>25-E7</b>	<b>26-E7</b>	<b>27-F9</b>	<b>28-F9</b>	<b>29-F9</b>	<b>30-F9</b>
301 - 330 lbs.	137 - 150 kg.	-	-	-	<b>25-F9</b>	<b>26-F9</b>	<b>27-F9</b>	<b>28-F9</b>	<b>29-G10</b>	<b>30-G10</b>

### \*ProCover

See Page 25 for ProCover ordering information.



# AllPro XTS

- K3**
- K4**
- TT**
- TF**
- US**

## Specifications

Weight limit: 275 lbs. (125 kg)

Heel height: 10 mm

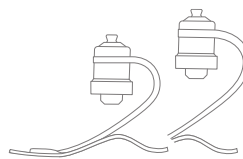
Product weight: 25.6 oz. (728 g)

27.8 oz. (789 g)

## Build height

6.4 in. (16.3 cm)

8.4 in. (21.3 cm)



## Product Features

- Versatile foot function adapts to all activities
- Industry-leading flexibility provides excellent plantar and dorsiflexion
- Split-Toe, carbon composite design for multiaxial movement and dynamic response
- Vertical shock and of axial rotation for increased socket comfort
- Carbon composite design for dynamic response
- Adjustable heel stiffness with replaceable bumper
- IP67 waterproof

## Ordering information

- Includes foot and instruction manual
- Foot shell ordered separately, includes prosthetic sock.

### PRODUCT NUMBER

Replace XX-XX with the correct length and weight details from the table below

MODEL	HEIGHT	FOOT SIZES	PRODUCT NUMBER
AllPro XTS	6.4 in. (16.3 cm)	22 - 30 cm	<b>229-106-XX-XX</b>
AllPro XTS	8.4 in. (21.3 cm)	22 - 30 cm	<b>229-108-XX-XX</b>

### ProCover

Replace XX with foot size 22 - 30 cm

COLOR	PRODUCT NUMBER
● 99	182-10-10XX



### Foot Shell

Replace XX with footsize: 22-30cm

COLOR	LEFT	RIGHT
● 03	45-XX-13-03-3	46-XX-13-03-3
● 09	45-XX-13-09-3	46-XX-13-09-3
● 13	45-XX-13-13-3	46-XX-13-13-3
● 99	45-XX-13-99-3	46-XX-13-99-3



WEIGHT		22 CM	23 CM	24 CM	25 CM	26 CM	27 CM	28 CM	29 CM	30 CM
100 - 119 lbs.	45 - 54 kg.	<b>22-A2</b>	<b>23-A2</b>	<b>24-A2</b>	<b>25-B4</b>	<b>26-B4</b>	-	-	-	-
120 - 139 lbs.	54 - 63 kg.	<b>22-A3</b>	<b>23-A3</b>	<b>24-A3</b>	<b>25-B4</b>	<b>26-B4</b>	<b>27-C6</b>	<b>28-C6</b>	-	-
140 - 159 lbs.	64 - 72 kg.	<b>22-B4</b>	<b>23-B4</b>	<b>24-B4</b>	<b>25-B4</b>	<b>26-B4</b>	<b>27-C6</b>	<b>28-C6</b>	<b>29-D7</b>	<b>30-D7</b>
160 - 179 lbs.	73 - 81 kg.	<b>22-B4</b>	<b>23-B4</b>	<b>24-B4</b>	<b>25-C5</b>	<b>26-C5</b>	<b>27-C6</b>	<b>28-C6</b>	<b>29-D7</b>	<b>30-D7</b>
180 - 199 lbs.	82 - 90 kg.	<b>22-C5</b>	<b>23-C5</b>	<b>24-C5</b>	<b>25-C5</b>	<b>26-C5</b>	<b>27-D7</b>	<b>28-D7</b>	<b>29-D7</b>	<b>30-D7</b>
200 - 224 lbs.	91 - 102 kg.	<b>22-C5</b>	<b>23-C5</b>	<b>24-C5</b>	<b>25-D6</b>	<b>26-D6</b>	<b>27-D7</b>	<b>28-D7</b>	<b>29-E8</b>	<b>30-E8</b>
225 - 249 lbs.	102 - 113 kg.	-	-	-	<b>25-D6</b>	<b>26-D6</b>	<b>27-E8</b>	<b>28-E8</b>	<b>29-E8</b>	<b>30-E8</b>
250 - 276 lbs.	113 - 125 kg.	-	-	-	<b>25-E7</b>	<b>26-E7</b>	<b>27-E8</b>	<b>28-E8</b>	<b>29-F9</b>	<b>30-F9</b>

# Obsidian DM



## Product Features

- Split-Toe Sole
- STF Technology
- Dynamic Carbon Composite
- Pyramid Slide (adult only)



## Specifications

	Pediatric	Adult
Patient Weight	Up to 124 lbs. (56 kg)	Up to 330 lbs. (150 kg)
Foot Weight	8.5 oz. (240 g)	19.4 oz. (550 g)
Build Height	6.3 in. (16 cm)	10.75 in. (27.3 cm)
Warranty	12 months	12 months
Patient Trial	Yes	Yes

## Ordering Information

Patient Weight	Pediatric
31 – 40 lbs. (14 – 18 kg)	<b>175-140-5A</b>
41 – 51 lbs. (19 – 23 kg)	<b>175-140-4A</b>
52 – 65 lbs. (24 – 29 kg)	<b>175-140-3A</b>
66 – 82 lbs. (30 – 37 kg)	<b>175-140-2A</b>
83 – 102 lbs. (38 – 46 kg)	<b>175-140-A</b>
103 – 124 lbs. (47 – 56 kg)	<b>175-140-B</b>

Patient Weight	Adult
75 – 99 lbs. (34 – 44 kg)	<b>175-130-3A</b>
100 – 124 lb s. (45 – 56 kg)	<b>175-130-2A</b>
125 – 149 lbs. (57 – 68 kg)	<b>175-130-A</b>
150 – 179 lbs. (69 – 81 kg)	<b>175-130-B</b>
180 – 209 lbs. (82 – 95 kg)	<b>175-130-C</b>
210 – 239 lbs. (96 – 109 kg)	<b>175-130-D</b>
240 – 275 lbs. (110 – 125 kg)	<b>175-130-E</b>
276 – 330 lbs. (125 – 150 kg)	<b>175-130-F</b>

## Accessories

Patient Weight	Pediatric	Adult
Replacement Running Tread	<b>100-40-4050</b>	<b>100-40-4000</b>



# Obsidian PM / Sprint



## Product Features

- Split-Toe Sole
- STF Technology
- Dynamic Carbon Composite



## Specifications

	Pediatric Running Blade	Adult Running Blade	Sprint Blade
Patient Weight	Up to 180 lbs. (82 kg)	Up to 330 lbs. (150 kg)	Up to 275 lbs. (125 kg)
Foot Weight	18.1 oz. (515 g)	28 oz. (800 g)	35 oz. (1000 g)
Clearance	2.0 in. (5.1 cm)	2.0 in. (5.1 cm)	3 in. (7.6 cm)
Mounting Height	10.5 in. – 18.5 in. (26.7 – 47.0 cm)	15.5 in. – 21.5 in. (39.4 – 54.6 cm)	15.5 – 26 in. (39.4 – 66.0 cm)
Width at Minimum Build Height	1.75 in. (44 mm)	2.25 in. (57 mm)	2.25 in. (57 mm)
Warranty	12 months	12 months	6 months
Patient Trial	No	No	No

## Ordering Information

Patient Weight	Pediatric Running Blade	Adult Running Blade	Sprint Blade
50 – 74 lbs. (23 – 33 kg)	<b>175-120-3A</b>		
75 – 99 lbs. (34 – 44 kg)	<b>175-120-2A</b>		
100 – 124 lbs. (45 – 56 kg)	<b>175-120-A</b>		<b>177-110-X**</b>
125 – 149 lbs. (57 – 68 kg)	<b>175-120-B</b>	<b>175-110-A</b>	<b>177-110-X**</b>
150 – 179 lbs. (69 – 81 kg)	<b>175-120-C</b>	<b>175-110-B</b>	<b>177-110-X**</b>
180 – 209 lbs. (82 – 95 kg)		<b>175-110-C</b>	<b>177-110-X**</b>
210 – 239 lbs. (96 – 109 kg)		<b>175-110-D</b>	<b>177-110-X**</b>
240 – 275 lbs. (110 – 125 kg)		<b>175-110-E</b>	<b>177-110-X**</b>
276 – 330 lbs. (125 – 150 kg)		<b>175-110-F</b>	

\*Obsidian Sprint does not include track sole

\*\*Obsidian Sprint requires order form available at [www.fillauer.se](http://www.fillauer.se)

## Accessories

	Pediatric Running Blade	Adult Running Blade
Adjustable Alignment Bracket	<b>180-10-5000</b>	<b>180-10-4000</b>
Posterior Mounting Bracket	<b>180-10-3000</b>	<b>180-10-2010</b>
Replacement Running Tread	<b>100-40-4050</b>	<b>100-40-4000</b>



Adjustable Alignment Bracket (Adult Shown)

Posterior Mounting Bracket (Pediatric Shown)

# Formula™



## Specifications

Weight rating : 330 lbs. (150 kg)

Foot size: 22 - 31 cm

Functional levels: 12-20 in. (30-46 cm)

Weight: (27 cm foot): 24 oz. (675 g)

Pylon height: 12 - 20 in. (30 - 21 cm)

Build height: 3 in. (7.6 cm)

Durability: meets ISO 22675

Warranty: 24 mont

## Product Features

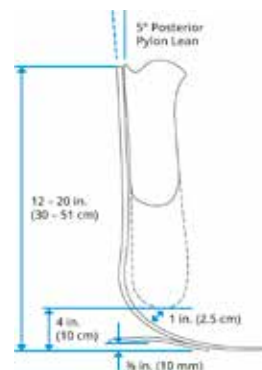
- Posterior mount design provides ideal balance of flexibility and power
- Long, carbon-composite pylon delivers lightweight, dynamic response
- Full-split toe offers maximum multiaxial function
- Rocker toe supports easy and smooth roll-over
- Fully customizable—choose the pylon and separate heel spring best suited for your patient



Shown with practitioner-fabricated foot form

## Ordering information

- Order pylon based on patient weight
- Order heel spring based on desired stiffness
- Choose one pylon and one heel spring
- Transfemoral or patients 6'2" (188 cm) or taller should move up one weight class for pylon and heel spring standard



PATIENT WEIGHT		PYLON ONLY	HEEL SPRING SOFTER	HEEL SPRING STANDARD	HEEL SPRING STIFFER
100 - 129 lbs.	45 - 58 kg.	<b>178-110-2A</b>		<b>178-110-5</b>	<b>178-110-6</b>
130 - 159 lbs.	59 - 72 kg.	<b>178-110-A</b>	<b>178-110-5</b>	<b>178-110-6</b>	<b>178-110-7</b>
160 - 189 lbs.	73 - 85 kg.	<b>178-110-B</b>	<b>178-110-6</b>	<b>178-110-7</b>	<b>178-110-8</b>
190 - 219 lbs.	86 - 99 kg.	<b>178-110-C</b>	<b>178-110-7</b>	<b>178-110-8</b>	<b>178-110-9</b>
220 - 249 lbs.	100 - 113 kg.	<b>178-110-D</b>	<b>178-110-8</b>	<b>178-110-9</b>	<b>178-110-10</b>
250 - 289 lbs.	114 - 131 kg.	<b>178-110-E</b>	<b>178-110-9</b>	<b>178-110-10</b>	<b>178-110-11</b>
290 - 330 lbs.	132 - 150 kg.	<b>178-110-F</b>	<b>178-110-10</b>	<b>178-110-11</b>	

## Posterior Mounting Bracket (Optional)

Description	Material	Part Number
Posterior Mounting Bracket	Aluminum	180-10-2010



# Aeris Performance 2



## Specifications

**Weight limit:** 330 lbs. (150 kg)

**Heel height:** 0.4 in. (10 mm)

**Product weight:** 17.6 oz. (500 g) Size 27

**Warranty:** 36 month

**Durability:** meets ISO 22675

## Build Heights

Size	Build height
22 - 24 cm	6.5 in. (166 mm)
25 - 26 cm	7.1 in. (180 mm)
27 - 30 cm	7.3 in. (185 mm)



## Product Features

- Innovative micro-slice design and split heel for multi-axial function and terrain conformance
- Enhanced plantarflexion for stability at heel strike
- Advanced Energy Release (AER) Pylon minimizes forces to the residual limb
- Smooth rollover and great energy return

## Ordering information Aeris Performance Without Foot Shell

- Includes foot, prosthetic sock and instruction manual

### PRODUCT NUMBER

**122-10-XX-XX:** Replace XX-XX with the correct length and weight details from the table below

### FOOT SELECTION REQUIRES FOOT LENGTH AND WEIGHT

WEIGHT		22 CM	23 CM	24 CM	25 CM	26 CM	27 CM	28 CM	29 CM	30 CM
100 - 119 lbs.	45 - 54 kg	<b>22 - A2</b>	<b>23 - A2</b>	<b>24 - A2</b>	<b>25 - B4</b>	<b>26 - B4</b>	*	*	*	*
120 - 139 lbs.	55 - 63 kg	<b>22 - A2</b>	<b>23 - A2</b>	<b>24 - A2</b>	<b>25 - B4</b>	<b>26 - B4</b>	<b>27 - C5</b>	<b>28 - C5</b>	*	*
140 - 159 lbs.	64 - 72 kg	<b>22 - B3</b>	<b>23 - B3</b>	<b>24 - B3</b>	<b>25 - B5</b>	<b>26 - B5</b>	<b>27 - C5</b>	<b>28 - C5</b>	<b>29 - D6</b>	<b>30 - D6</b>
160 - 179 lbs.	73 - 81 kg	<b>22 - B3</b>	<b>23 - B3</b>	<b>24 - B3</b>	<b>25 - B5</b>	<b>26 - B5</b>	<b>27 - C6</b>	<b>28 - C6</b>	<b>29 - D6</b>	<b>30 - D6</b>
180 - 199 lbs.	82 - 90 kg	<b>22 - B4</b>	<b>23 - B4</b>	<b>24 - B4</b>	<b>25 - C6</b>	<b>26 - C6</b>	<b>27 - C6</b>	<b>28 - C6</b>	<b>29 - D7</b>	<b>30 - D7</b>
200 - 224 lbs.	91 - 101 kg	<b>22 - B4</b>	<b>23 - B4</b>	<b>24 - B4</b>	<b>25 - C6</b>	<b>26 - C6</b>	<b>27 - D7</b>	<b>28 - D7</b>	<b>29 - D7</b>	<b>30 - D7</b>
225 - 249 lbs.	102 - 113 kg	<b>22 - C5</b>	<b>23 - C5</b>	<b>24 - C5</b>	<b>25 - D7</b>	<b>26 - D7</b>	<b>27 - D7</b>	<b>28 - D7</b>	<b>29 - E8</b>	<b>30 - E8</b>
250 - 275 lbs.	114 - 125 kg	<b>22 - C5</b>	<b>23 - C5</b>	<b>24 - C5</b>	<b>25 - D7</b>	<b>26 - D7</b>	<b>27 - E8</b>	<b>28 - E8</b>	<b>29 - E8</b>	<b>30 - E8</b>
276 - 300 lbs.	126 - 136 kg	-	-	-	<b>25 - E8</b>	<b>26 - E8</b>	<b>27 - E8</b>	<b>28 - E8</b>	<b>29 - E9</b>	<b>30 - E9</b>
301 - 330 lbs.	137 - 150 kg	-	-	-	<b>25 - E8</b>	<b>26 - E8</b>	<b>27 - E9</b>	<b>28 - E9</b>	<b>29 - E9</b>	<b>30 - E9</b>

\* Contact your distributor for recommendations

## Foot Shell

COLOR	LEFT	RIGHT
03	45-XX-13-03-3	46-XX-13-03-3
09	45-XX-13-09-3	46-XX-13-09-3
13	45-XX-13-13-3	46-XX-13-13-3
99	45-XX-13-99-3	46-XX-13-99-3



Replace XX with footsize - 22-30cm



# Aeris Performance LP



## Specifications

Weight limit: 275 lbs. (125 kg)  
 Heel height: 0.4 in. (10 cm)  
 Product weight: 16.0 oz. (450 g)  
 Warranty: 36 month  
 Durability: meets ISO-22675

## Build Heights

Size	Build height
22 - 24 cm	5.2 in (132 mm)
25 - 26 cm	5.3 in (134 mm)
27 - 30 cm	5.4 in (136 mm)



## Product Features

- Compliant Composites Technology (CCT)
- Advanced Energy Release (AER) pylon
- Split pylon for increased multi-axial performance
- Enhanced plantar flexion for stability at heel strike
- Balanced compliance and dynamic response
- Smooth transitions from foot-flat to toe-off

## Ordering information Aeris Performance LP Without Foot Shell

- Includes foot and instruction manual

### PRODUCT NUMBER

**123-10-XX-X:** Replace XX-X with the correct length and weight details from the table below

### FOOT SELECTION REQUIRES FOOT LENGTH AND WEIGHT

WEIGHT		22 CM	23 CM	24 CM	25 CM	26 CM	27 CM	28 CM	29 CM	30 CM
99 - 130 lbs.	45 - 59 kg	<b>22 - A</b>	<b>23 - A</b>	<b>24 - A</b>	<b>25 - B</b>	<b>26 - B</b>	<b>27 - B</b>	<b>28 - B</b>	<b>29 - D</b>	<b>30 - D</b>
131 - 163 lbs.	60 - 74 kg	<b>22 - A</b>	<b>23 - A</b>	<b>24 - A</b>	<b>25 - B</b>	<b>26 - B</b>	<b>27 - C</b>	<b>28 - C</b>	<b>29 - D</b>	<b>30 - D</b>
164 - 198 lbs.	75 - 90 kg	<b>22 - B</b>	<b>23 - B</b>	<b>24 - B</b>	<b>25 - C</b>	<b>26 - C</b>	<b>27 - C</b>	<b>28 - C</b>	<b>29 - D</b>	<b>30 - D</b>
199 - 235 lbs.	91 - 107 kg	<b>22 - B</b>	<b>23 - B</b>	<b>24 - B</b>	<b>25 - C</b>	<b>26 - C</b>	<b>27 - D</b>	<b>28 - D</b>	<b>29 - E</b>	<b>30 - E</b>
236 - 275 lbs.	108 - 125 kg	<b>NA</b>	<b>NA</b>	<b>NA</b>	<b>25 - D</b>	<b>26 - D</b>	<b>27 - D</b>	<b>28 - D</b>	<b>29 - E</b>	<b>30 - E</b>

\* Contact your distributor for recommendations

## Foot Shell

COLOR	LEFT	RIGHT
03	45-XX-13-03-3	46-XX-13-03-3
09	45-XX-13-09-3	46-XX-13-09-3
13	45-XX-13-13-3	46-XX-13-13-3
99	45-XX-13-99-3	46-XX-13-99-3

Replace XX with footsize - 22-30cm





# Ibex XD

- K3
- K4
- TT
- TF
- US

## Specifications

**Weight limit:** 440 lbs. (200 kg)

**Heel height:** 0.4 in. (10 mm)

**Product weight:** 21.2 oz. (601 g) Size 27

**Warranty:** 36 month

**Durability:** meets ISO 22675

## Build Heights

Size	Build height
25 - 28 cm	7.2 in. (184 mm)
29 - 30 cm	7.3 in. (186 mm)



## Product Features

- Durable foot for heavier users with outstanding energy return
- Innovative micro-slice technology for multi-axial performance
- Adjustable heel wedge for fine tuning heel stiffness

## Ordering information

- Includes foot, prosthetic sock and instruction manual

### PRODUCT NUMBER

**120-10-XX-XXXX** (330 - 440 lbs. (150 - 200 kg)): Replace XX-XXXX with the correct length and weight details from the table below

### FOOT SELECTION REQUIRES FOOT LENGTH AND WEIGHT

WEIGHT	22 CM	23 CM	24 CM	25 CM	26 CM	27 CM	28 CM	29 CM	30 CM
330 - 440 lbs. 150 - 200 kg	-	-	-	25 - E8XD	26 - E8XD	27 - E9XD	28 - E9XD	29 - E9XD	30 - E9XD

## Foot Shell

COLOR	LEFT	RIGHT
03	45-XX-13-03-3	46-XX-13-03-3
09	45-XX-13-09-3	46-XX-13-09-3
13	45-XX-13-13-3	46-XX-13-13-3
99	45-XX-13-99-3	46-XX-13-99-3



Replace XX with footsize - 22-30cm

### ACCESSORIES

DESCRIPTION	WEIGHT LIMIT	BUILD HEIGHT	WEIGHT	LENGTH	DIAMETER	PRODUCT NUMBER
XD Heavy duty Clamp Adapter, page 41	440 lbs. (200 kg)	2.1 in (53 mm)	3.0 oz. (84 g)		34 mm	<b>126100</b>
XD Heavy duty tube, page 48	440 lbs. (200 kg)			16.9 in. (430 mm)	34 mm	<b>126133</b>

# Wave Comfort 3



## Specifications

Weight limit: 330 lbs. (150 kg)  
 Heel height: 0.4 in. (10 mm)  
 Product weight: 13.2 oz. (374 g) Size 27  
 Warranty: 36 month  
 Durability: meets ISO 22675

## Build Heights

Size	Build height
22 - 24 cm	3.7 in. (95 mm)
25 - 30 cm	4.0 in. (102 mm)



## Product Features

- Exceptional level of comfort for the low to moderate activity user
- Shock absorption when walking and standing
- Smooth roll-over and enhanced plantar flexion
- Adjustable heel stiffness with replaceable bumper
- Compatible with ProCover

## Ordering information Wave Comfort Without Foot Shell - Includes foot, heel bumpers, prosthetic sock and instruction manual

### PRODUCT NUMBER

**135-10-XX-XXX:** Replace XX-XXX with the correct length and weight details from the table below

### FOOT SELECTION REQUIRES FOOT LENGTH AND WEIGHT

		22 CM	23 CM	24 CM	25 CM	26 CM	27 CM	28 CM	29 CM	30 CM
97 - 110 lbs.	44 - 50 kg	22 - A2R	23 - A2R	24 - A2R	25 - B4R	26 - B4R	-	-	-	-
111 - 132 lbs.	51 - 60 kg	22 - A2R	23 - A2R	24 - A2R	25 - B4R	26 - B4R	27 - B4R	28 - B4R	-	-
133 - 154 lbs.	61 - 70 kg	22 - A2R	23 - A2R	24 - A2R	25 - B4R	26 - B4R	27 - B4R	28 - B4R	29 - C5R	30 - C5R
155 - 176 lbs.	71 - 80 kg	22 - B3R	23 - B3R	24 - B3R	25 - B4R	26 - B4R	27 - C5R	28 - C5R	29 - C5R	30 - C5R
177 - 198 lbs.	81 - 90 kg	22 - B3R	23 - B3R	24 - B3R	25 - C5R	26 - C5R	27 - C5R	28 - C5R	29 - D6R	30 - D6R
199 - 220 lbs.	91 - 100 kg	22 - C4R	23 - C4R	24 - C4R	25 - C5R	26 - C5R	27 - D6R	28 - D6R	29 - D6R	30 - D6R
221 - 246 lbs.	101 - 112 kg	22 - C4R	23 - C4R	24 - C4R	25 - D6R	26 - D6R	27 - D6R	28 - D6R	29 - E7R	30 - E7R
247 - 275 lbs.	113 - 125 kg	22 - C4R	23 - C4R	24 - C4R	25 - D6R	26 - D6R	27 - E7R	28 - E7R	29 - E7R	30 - E7R
276 - 300 lbs.	126 - 136 kg	-	-	-	25 - E7R	26 - E7R	27 - E7R	28 - E7R	29 - F8R	30 - F8R
302 - 331 lbs.	137 - 150 kg	-	-	-	25 - E7R	26 - E7R	27 - E7R	28 - E7R	29 - F8R	30 - F8R

## Foot Shell

COLOR	LEFT	RIGHT
03	45-XX-13-03-3	46-XX-13-03-3
09	45-XX-13-09-3	46-XX-13-09-3
13	45-XX-13-13-3	46-XX-13-13-3
99	45-XX-13-99-3	46-XX-13-99-3



Replace XX with footsize - 22-30cm

### \*ProCover

See Page 25 for ProCover ordering information.



# Eldorado Z-Axis Climbing Foot



## Product Features

- Unilateral one-size climbing foot pre-installed in abrasion resistant shoe
- Mounting: Comes complete with titanium pyramid adapter
- Weight limit: 136kg
- For bilateral users



## Ordering Information

DESCRIPTION	LENGTH	WIDTH	HEIGHT INCL. PYRAMID	WEIGHT	PRODUCT NUMBER
Eldorado, unilateral (ea)	18.4 cm	7.1 cm	11.4 cm	709 g	<b>ELDOZ</b>
<b>SPARE PARTS:</b>					
ELDOZ01 - Replacement Shoe					

# Foot Shell



## Specifications

**Product weight:** 8 oz. (227 g)

**Material:** BIOVYN™ PVC

**Warranty:** 9 month



## Product Features

- Made with BIOVYN™, a bio-attributed PVC that is based on 100% renewable feedstock and significantly reduced carbon emissions
- More durable than previous Foot Shells, increased warranty from 6 months to 9 months
- Natural appearance

## Ordering Information

- Includes prosthetic sock.
- Replace XX with foot size: 22 - 30 cm

COLOR	LEFT	RIGHT
● 03	45-XX-13-03-3	46-XX-13-03-3
● 09	45-XX-13-09-3	46-XX-13-09-3
● 13	45-XX-13-13-3	46-XX-13-13-3
● 99	45-XX-13-99-3	46-XX-13-99-3

## Prosthetic Sock

Size	Part Number
22 - 24 cm	636202224
25 - 27 cm	636202527
28 - 30 cm	636202830





# ProCover

K3

K4

US

## Specifications

**Product weight:** 9.1 oz. (259 g)

**Material:** Polyurethane foam

**Warranty:** 9 month



## Product Features

- Durable design and material is ideal for high activity patients
- Split design allows for easy maintenance, cleaning, or switching with other cosmetic covers
- Design-to-fit shape securely fits the foot plate for a more responsive feel
- Polyurethane foam maintains superior energy return over time
- Unique shape enhances foot rollover performance

## Ordering information

Includes two hardware kits

22 CM	23 CM	24 CM	25 CM	26 CM	27 CM	28 CM	29 CM	30 CM
182-10-1022	182-10-1023	182-10-1024	182-10-1025	182-10-1026	182-10-1027	182-10-1028	182-10-1029	182-10-1030

## Replacement Parts

Includes 4 Connector Pins, 2 Velcro® Straps

Size	Part Number
22 – 25 cm	182-10-2300
26 – 30 cm	182-10-2350

# Alignment

## Specification symbols

**SE** Manufactured in Sweden

**US** Manufactured in USA

**JP** Manufactured in Japan

**TW** Manufactured in Taiwan

**TT** Transtibial

**TF** Transfemoral



# ALP-AI Modular System

SE



Horizontal slide



Angle adjustment

The ALP-AI system is made of aluminum and has a 0.9 in. (23 mm) horizontal slide and a 24° angle adjustment for unlimited rotation in all directions.

- Manufactured in accordance with quality management procedure ISO 9001
- Patent number: WO 9740787
- Warranty: 12 month

## ALP-AI Kit with Lamination Adapter

TT TF SE

### Specifications

Weight limit: P6 - 275 lbs. (125 kg)	Horizontal slide: 0.9 in. (23 mm)	Material: Aluminum
Build height: 2.6 in. (66 mm)	Angle adjustment: 24°	Durability: meets ISO 10328
Product weight: 8.6 oz. (245 g)	Tube clamp: for 30 mm tube	

### Ordering information

DESCRIPTION	PRODUCT NUMBER
ALP-AI Kit with Lamination Adapter	<b>731163117</b>

#### PARTS INCLUDED:

- A** 731163140 - Lamination adapter
- B** 731162161 - Screw M8 x 40 mm dacrom, nut M8 and locking washer M8
- C** 731163158 - Eccentric washer for ALP-AI M8
- D** 731163181 - ALP-AI body

#### SPARE PARTS:

- 731000126 - Adjustment screw, M8 x 16 mm (4 pcs)
- 731000003 - Clamp screw, M6 x 20 mm

DESCRIPTION	PRODUCT NUMBER
Lamination Dummy, silicone	<b>731162133</b>





# ALP-AI Kit with Sealed Lamination Adapter



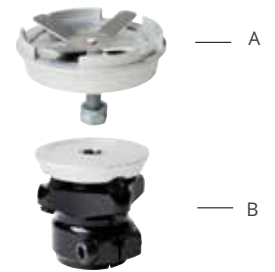
## Specifications

<b>Weight limit:</b> P6 - 275 lbs. (125 kg)	<b>Horizontal slide:</b> 0.9 in. (23 mm)	<b>Material:</b> Aluminum
<b>Build height:</b> 2.6 in. (66 mm)	<b>Angle adjustment:</b> 24°	<b>Durability:</b> meets ISO 10328
<b>Product weight:</b> 9.1 oz. (257 g)	<b>Tube clamp:</b> for 30 mm tube	

## Ordering information

DESCRIPTION	PRODUCT NUMBER
ALP-AI kit with Sealed Lamination Adapter	<b>731163102</b>
<b>PARTS INCLUDED:</b>	
<b>A</b> 731163105 - Sealed lamination adapter with Screw M8 x 40 mm dacrom, nut M8 & locking washer M8	
<b>B</b> 731163181 - AIP AI Body	
<b>SPARE PARTS:</b>	
731000126 - Adjustment screw, M8 x 16 mm (4 pcs)	
731000003 - Clamp screw, M6 x 20 mm	

DESCRIPTION	PRODUCT NUMBER
Lamination Dummy, silicone	<b>731162107</b>



# ALP-AI with Sealed Lamination Adapter



## Specifications

<b>Weight limit:</b> P6 - 275 lbs. (125 kg)	<b>Material:</b> Aluminum
<b>Build height:</b> 0.6 in. (14 mm)	<b>Durability:</b> meets 10328
<b>Product weight:</b> 4.2 oz. (119 g)	

## Ordering information

Note: Works only with ALP-AI Body

DESCRIPTION	PRODUCT NUMBER
ALP-AI Sealed Lamination Adapter*	<b>731163105</b>
DESCRIPTION	PRODUCT NUMBER
Lamination Dummy, silicone	<b>731162107</b>





# ALP-AI 4-Hole Adapter



## Specifications

<b>Weight limit:</b> P6 - 275 lbs. (125 kg)	<b>Horizontal slide:</b> 0.9 in. (23 mm)	<b>Material:</b> Aluminum
<b>Build height:</b> 2.7 in. (70 mm)	<b>Angle adjustment:</b> 20°	<b>Durability:</b> meets ISO 10328
<b>Product weight:</b> 9.4 oz. (266 g)	<b>Tube clamp:</b> for 30 mm tube	

## Ordering information

DESCRIPTION	PRODUCT NUMBER
ALP-AI Four Hole Adapter	<b>731163180</b>
<b>PARTS INCLUDED:</b>	
<b>A</b> 731163181 - ALP-AI body	
<b>B</b> 731163182 - 4-hole adapter, Washer & Screws (4 pcs)	
<b>C</b> 731162161 - Screw M8 x 40 mm dacrom, nut M8 and locking washer M8	



# ALP-AI Pyramid Female Adapter



## Specifications

<b>Weight limit:</b> P6 - 125 kg	<b>Horizontal slide:</b> 21 mm with ALP-AI 4H adapter plate	<b>Material:</b> Aluminum
<b>Build height:</b> 43 mm with ALP-AI 4H adapter plate	<b>Angle adjustment:</b> 16°	<b>Durability:</b> meets ISO 10328
<b>Product weight:</b> 130 gram without ALP-AI 4H adapter plat		

## Ordering information

DESCRIPTION	PRODUCT NUMBER
ALP-AI Female Pyramid Adapter Kit	<b>731163185</b>
<b>PARTS INCLUDED</b>	
<b>A</b> 731163186 - Washer for threaded insert, Threaded insert for Washer	
<b>B</b> 731163187 - ALP-AI Female Pyramid Adapter , includes 4 screws	
<b>C</b> 731163188 - M10x20 center screw 12.9 Holo-Krome	
<b>SPARE PARTS:</b>	
731000127 - Adjustment screw for adapter M8x16	

## ACCESSORIES

731000140 - Pin Wrench DIN1810B-45-50 , Used for tightening: ALP-Ti Female Pyramid Adapter, 731162120 and ALP-AI Female Pyramid Adapter, 731163187



# ALP-Ti Modular System

SE



The ALP-Ti system is made of titanium for high activity level patients and has a 0.9 in. (24 mm) horizontal slide and a 20° angle adjustment for unlimited rotation in all directions.

- Manufactured in accordance with quality management procedure ISO 9001
- Patent number: WO 9740787
- Warranty: 12 month

## ALP-Ti with Lamination Adapter

TT

TF

SE

### Specifications

<b>Weight limit:</b> P6 - 275 lbs. (125 kg)	<b>Horizontal slide:</b> 0.9 in. (24 mm)	<b>Material:</b> Titanium
<b>Build height:</b> 2.8 in. (71 mm)	<b>Angle adjustment:</b> 20°	<b>Durability:</b> meets ISO 10328
<b>Product weight:</b> 9.7 oz. (275 g)	<b>Tube clamp:</b> for 30 mm tube	

### Ordering information

DESCRIPTION	PRODUCT NUMBER
ALP-Ti with Lamination Adapter	<b>731162117</b>
<b>PARTS INCLUDED:</b>	
A 731162140 - Lamination adapter	
B 731162161 - Screw M8 x 40 mm dacrom, nut M8 and locking washer M8	
C 731162158 - Eccentric washer for ALP-DA	
D 731162101 - ALP-Ti body	
<b>SPARE PARTS:</b>	
731162144 - Adjustment screw, M6 x 16 mm (4 pcs)	
731162169 - Clamp screw, M6 x 20 mm	



DESCRIPTION	PRODUCT NUMBER
Lamination Dummy, silicone	<b>731162133</b>





# ALP-Ti with Small Lamination Adapter

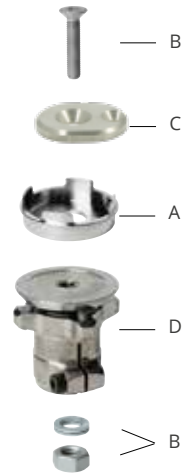


## Specifications

<b>Weight limit:</b> P6 - 275 lbs. (125 kg)	<b>Horizontal slide:</b> 0.9 in. (24 mm)	<b>Material:</b> Titanium
<b>Build height:</b> 2.8 in. (71 mm)	<b>Angle adjustment:</b> 20°	<b>Durability:</b> meets ISO 10328
<b>Product weight:</b> 8.5 oz. (240 g)	<b>Tube clamp:</b> for 30 mm tube	

## Ordering information

DESCRIPTION	PRODUCT NUMBER
ALP-Ti with small lamination adapter	<b>731162119</b>
<b>PARTS INCLUDED:</b>	
<b>A</b> 731162139 - Small lamination adapter	
<b>B</b> 731162161 - Screw M8 x 40 mm dacrom, nut M8 & locking washer M8	
<b>C</b> 731162159 - Eccentric washer for ALP-Ti	
<b>D</b> 731162101 - ALP-Ti body	
<b>SPARE PARTS:</b>	
731162144 - Adjustment screw, M6 x 16 mm (4 pcs)	
731162169 - Clamp screw, M6 x 20 mm	



DESCRIPTION	PRODUCT NUMBER
Lamination dummy, silicone	<b>731162138</b>

# ALP-Ti with Sealed Lamination Adapter



## Specifications

<b>Weight limit:</b> P6 - 275 lbs. (125 kg)	<b>Horizontal slide:</b> 0.9 in. (24 mm)	<b>Material:</b> Titanium
<b>Build height:</b> 2.8 in. (71 mm)	<b>Angle adjustment:</b> 20°	<b>Durability:</b> meets 10328
<b>Product weight:</b> 9.7 oz. (275 g)	<b>Tube clamp:</b> for 30 mm tube	

## Ordering information

DESCRIPTION	PRODUCT NUMBER
ALP-Ti with Sealed Lamination Adapter	<b>731162102</b>

### PARTS INCLUDED:

- A** 731162105 - Sealed lamination adapter
- B** 731162101 - ALP - Ti body includes adjustment screw M6 x 16 mm (4 pcs) and clamp screw M6 x 20 mm

DESCRIPTION	PRODUCT NUMBER
Lamination Dummy, silicone	<b>731162107</b>





# ALP-Ti Modular System

SE



Neutral



Horizontal slide

The ALP-Ti system is made of titanium for high activity level patients and has a 0.8 in. (20 mm) horizontal slide and a 12° angle adjustment for unlimited rotation in all directions.

- Manufactured in accordance with quality management procedure ISO 9001
- Patent number: WO 9740787
- Warranty: 12 month

## ALP-Ti with Lamination Adapter - AK system

TF

SE

### Specifications

Weight limit: P6 - 275 lbs. (125 kg)      Horizontal slide: 0.8 in. (20 mm)      Durability: meets ISO 10328  
 Build height: 1.7 in. (42 mm)      Angle adjustment: 12°  
 Product weight: 7.8 oz. (220 g)      Material: Titanium

### Ordering information

DESCRIPTION	PRODUCT NUMBER
ALP-Ti with Lamination Adapter - with Female Pyramid	<b>731162123</b>
<b>PARTS INCLUDED:</b>	
<b>A</b> 731162140 - Lamination adapter	<b>C</b> 731162120 - ALP-Ti Female Pyramid adapter incl. adjustment screws
<b>B</b> 731162167 - Washer M10, threaded	<b>D</b> 731162168 - Screw M10 x 16 mm
<b>SPARE PARTS:</b>	
731162170 - Adjustment screw M8 x 16 mm (4 pcs)	



### ACCESSORIES

- 731000140 - Pin Wrench DIN1810B-45-50 , Used for tightening: ALP-Ti Female Pyramid Adapter, 731162120 and ALP-AI Female Pyramid Adapter, 731162125
- 731162170 - Adjustment screws M8x16mm (4 pcs)

# ALP-Ti with Sealed Lamination Adapter - AK system

TF

SE

## Specifications

<b>Weight limit:</b> P6 - 275 lbs. (125 kg)	<b>Horizontal slide:</b> 0.8 in. (20 mm)	<b>Durability:</b> meets ISO 10328
<b>Build height:</b> 1.7 in. (42 mm)	<b>Angle adjustment:</b> 12°	
<b>Product weight:</b> 8.1 oz. (230 g)	<b>Material:</b> Titanium	

## Ordering information

DESCRIPTION	PRODUCT NUMBER
ALP-Ti with Sealed Lamination Adapter	<b>731162125</b>
<b>INCLUDED PARTS:</b>	
<b>A</b> 731161140 - ALP-Ti Lamination Adapter	
<b>D</b> 731162108 - ALP-Ti / ALP-AI Sealing Washer	
<b>E-</b> 731161167 - ALP-Ti Washer, Threaded M10	
<b>C</b> 731162168 - ALP-Ti Center Bolt M10X16mm	
<b>B</b> 731162120 - ALP-Ti Female Pyramid Adapter With Adjustment Screws	



## ACCESSORIES

- 731000140 - Pin Wrench DIN1810B-45-50 , Used for tightening: ALP-Ti Female Pyramid Adapter, 731162120 and ALP-AI Female Pyramid Adapter, 731163187
- 731162170 - Adjustment screws M8x16mm (4 pcs)





# Sealing Washer

SE

## Product Features

- Fits lamination adapter 731 162 140



## Ordering information

DESCRIPTION	PRODUCT NUMBER
Sealing Washer	<b>731162108</b>

# Lamination Fork

SE

## Specifications

Diameter: 2.5 in. (63 mm)    Weight: 190 g    Height: 4.7 in. (120 mm)    Material: Stainless steel

## Ordering information

DESCRIPTION	PRODUCT NUMBER
Lamination Fork	<b>731162165</b>





# Adapters

## Specification symbols

**SE** Manufactured in Sweden

**US** Manufactured in USA

**JP** Manufactured in Japan

**TW** Manufactured in Taiwan

**TT** Transtibial

**TF** Transfemoral



## Tube Clamp Adapter for 30 mm Tube

TT

TF

SE

### Specifications

Weight limit: 275 lbs. (125 kg)

Material: Aluminum

Build height: 1.7 in. (42 mm)

Durability: meets ISO 10328

Product weight: 3.0 oz. (84 g)



### Ordering information

DESCRIPTION	PRODUCT NUMBER
Tube Clamp Adapter	731000502
<b>SPARE PARTS:</b>	
731000127 - Adjustment screw (4 pcs)	
731000003 - Clamp screw M6 x 25	

## Tube Clamp Adapter for 30 mm Tube

TT

TF

SE

### Specifications

Weight limit: 275 lbs. (125 kg)

Diameter: 30 mm

Build height: 1.9 in. (48 mm)

Material: Titanium

Product weight: 3.4 oz. (95 g)

Durability: meets ISO 10328



### Ordering information

DESCRIPTION	PRODUCT NUMBER
Tube Clamp Adapter	731162485
<b>SPARE PARTS:</b>	
731162170 - Adjustment screw M8 x 16 mm (4 pcs)	
731162169 - Clamp screw M6 x 20 mm	

# Double Adapter Pyramid Male/ Female

**SE**

## Specifications

Build height: 0.7 in. (18 mm)  
 Product weight: 2.8 oz. (79 gram)

## Product Features

- Large angle adjustment possibilities



## Ordering information

DESCRIPTION	PRODUCT NUMBER
Double Adapter	<b>731162126</b>

# XD Heavy Tube Clamp Adapter for 34 mm Tube

**TT TF US**

## Specifications

Weight limit: 440 lbs. (200 kg)	Diameter: 34 mm
Build height: 2.1 in. (53 mm)	Material: Titanium
Product weight: 3.0 oz. (84 g)	Durability: meets ISO 10328

## Ordering information

DESCRIPTION	PRODUCT NUMBER
Tube Clamp Adapter	<b>126100</b>





# XD Heavy Duty 4-Prong Adapter

TT

TF

US

## Specifications

**Weight limit:** 440 lbs. (200 kg)

**Material:** Titanium

**Build height:** 0.7 in. (17,5 mm)

**Durability:** meets ISO 10328

**Product weight:** 4.6 oz. (131 g)



## Ordering information

### DESCRIPTION

XD 4 - Prong Lamination Adapter

### PRODUCT NUMBER

**126120**

Feet

Alignment

Adapters

Valves

Locks

Sleeves & Liners

Knees

Cosmetic Solutions

Auxiliary Suspension

Pediatric

# Ankle Adapter with Angle Adjustment for 30 mm Tube

TT TF SE

## Specifications

**Weight limit:** 275 lbs. (125 kg)  
**Build height:** 2.0 in. (52 mm)  
**Product weight:** 6.7 in. (191 g)  
**Material:** Aluminum  
**Durability:** meets ISO 10328

## Product Features

- 16° angle adjustment
- M10 thread bolt



## Ordering information

DESCRIPTION	PRODUCT NUMBER
Ankle Adapter for 30 mm Tube	<b>731000005</b>
<b>SPARE PARTS:</b>	
731000126 - Adjustment screw, M8 x 18 mm (4 pcs)	
731000003 - Clamp screw, M6 x 25 mm	

# SACH Foot Adapter

TT TF SE

## Specifications

**Weight limit:** 300 lbs. (136 kg)  
**Build height:** 1.5 in. (39 mm)  
**Product weight:** 4.8 oz. (135 g)  
**Material:** Aluminum  
**Durability:** meets ISO 10328

## Product Features

- 16° angle adjustment
- M10 thread bolt



## Ordering information

DESCRIPTION	PRODUCT NUMBER
Sach Foot Adapter for 30 mm Tube	<b>721000015</b>
<b>SPARE PARTS:</b>	
731000003 - M10 bolt and Adjustment screw, M6 x 25 mm	



# DuraShock with Pylon



## Specifications

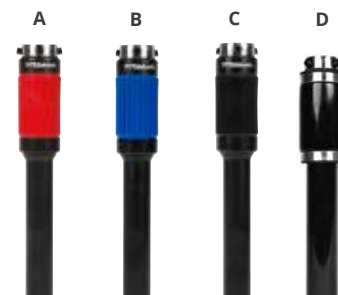
**Weight limit:** 220 lbs. (100 kg)  
**Weight limit HD:** 250 lbs. (113 kg)  
**Axial rotation:** 60° of axial rotation (30° in each direction)  
**Diameter:** Pylon diam. 30 mm  
 Heavy duty pylon diam. 34 mm (HD)  
**Warranty:** 12 month

## Product Features

- Vertical shock absorption
- Reduces rotational force to residual limb
- 4 stiffness options matched to weight/activity
- Shipped with cosmetic sleeve
- Maintenance free
- Includes dampening ring plus cosmetic sleeve



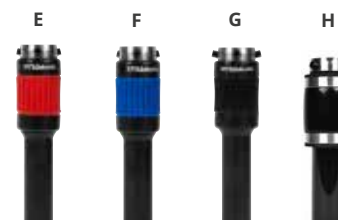
U.S. Patent #  
6468315 & 6682569



## Ordering information

### DURASHOCK LONG PYLON

IMG	COLOR	MODERATE ACTIVITY LEVEL	HIGH ACTIVITY	BUILD HEIGHT	WEIGHT	PRODUCT NUMBER
A	●	< 144 lbs. (65 kg)	< 139 lbs. (63 kg)	5.8 - 11.3 in. (146 - 286 mm)	15 oz. (428 g)	<b>DS003L</b>
B	●	145-179 lbs. (68-81 kg)	140-169 lbs. (64-76 kg)	5.8 - 11.3 in. (146 - 286 mm)	15 oz. (428 g)	<b>DS002L</b>
C	●	180-220 lbs. (82-100 kg)	170-200 lbs. (77-91 kg)	5.8 - 11.3 in. (146 - 286 mm)	15 oz. (428 g)	<b>DS001L</b>
D	HD	220-250 lbs. (100-113 kg)	200-250 lbs. (91-113 kg)	6.8 - 11.3 in. (171 - 286 mm)	21.7 oz. (609 g)	<b>DS004L</b>



### DURASHOCK SHORT PYLON

IMG	COLOR	MODERATE ACTIVITY LEVEL	HIGH ACTIVITY	BUILD HEIGHT	WEIGHT	PRODUCT NUMBER
E	●	< 144 lbs. (65 kg)	< 139 lbs. (63 kg)	4.8 - 7.5 in. (114 - 190 mm)	11 oz. (318 g)	<b>DS003S</b>
F	●	145-179 lbs. (68-81 kg)	140-169 lbs. (64-76 kg)	4.8 - 7.5 in. (114 - 190 mm)	11 oz. (318 g)	<b>DS002S</b>
G	●	180-220 lbs. (82-100 kg)	170-200 lbs. (77-91 kg)	4.8 - 7.5 in. (114 - 190 mm)	11 oz. (318 g)	<b>DS001S</b>
H	HD	220-250 lbs. (100-113 kg)	200-250 lbs. (91-113 kg)	5 - 7.5 in. (127 - 190 mm)	15.2 oz. (425 g)	<b>DS004S</b>

### SPARE PARTS

- DS008R - Dampening Ring, 30mm and 34mm
- DS009A - Alignment Adjustment Screw, 5/16"-24, Stainless Steel
- DS009M - Alignment Adjustment Screw, M8 x 1.25

NOTE: Weights are a suggested guide for torque and shock performance. Individual preference and performance will vary. The dampening ring included with each pylon is used to reduce the amount of rotation and vertical compression.

# DuraShock Shorty

TT TF US

## Specifications

Weight limit: 275 lbs. (125 kg)     Durability: meets 10328  
 Weight limit HD: 300 lbs. (136 kg)     Warranty: 12 month  
 Product weight: 11.6 oz. (330 g)

## Product Features

- Reduces rotational force to residual limb
- 60° of axial rotation (30° in each direction)
- Dampening ring included



U.S. Patent #  
6468315 & 6682569

## Ordering information

COLOR	MODERATE ACTIVITY LEVEL	HIGH ACTIVITY LEVEL	BUILD HEIGHT	WEIGHT	PRODUCT NUMBER
●	< 144 lbs. (65 kg)	144 lbs. (65 kg)	3.5 in. (89 mm)	10.6 oz. (300 g)	<b>DS003SS</b>
●	145 - 179 lbs. (66 - 81 kg)	140 - 169 lbs. (64 - 76 kg)	3.5 in. (89 mm)	10.6 oz. (300 g)	<b>DS002SS</b>
●	180 - 220 lbs. (82 - 100 kg)	170 - 250 lbs. (77 - 113 kg)	3.5 in. (89 mm)	10.6 oz. (300 g)	<b>DS001SS</b>
<b>HD</b>	220 - 300 lbs. (100 -136 kg)	200 - 250 lbs. (91 - 113 kg)	4.3 in. (108 mm)	16.2 oz. (460 g)	<b>DS004SS</b>

NOTE: Weights are a suggested guide for torque and shock performance. Individual preference and performance will vary. The dampening ring included with each pylon is used to reduce the amount of rotation and vertical compression.

# MiniShock

TT TF US

## Specifications

Weight limit: 132 lbs. (60 kg)     Durability: meets 10328  
 Product weight: 4.6 oz. (130 g)     Warranty: 12 month  
 Build height: 2.38 in. (60 mm)

## Product Features

- Minimum clearance
- 0.4 in. (10mm) vertical shock
- 60° of axial rotation (30° in each direction)
- Adapts to 0.9 in. (22 mm) base components



U.S. Patent #  
6468315 & 6682569

## Ordering information

DESCRIPTION	PRODUCT NUMBER
MiniShock	<b>MS001SS</b>



# DuraTwist



## Specifications

**Weight limit:** 250 lbs. (113 kg)      **Tube clamp / pyramid:** : 30 mm      **Warranty:** 12 month  
**Build Height:** 2.625 in. (6.6 cm)      **Durability:** Meets 10328  
**Product weight:** 8.8 oz. (250 g)      **Waterproof:** This device is rated for submersion to 1 meter for 30 minutes

## Ordering information

COLOR	WEIGHT	PRODUCT NUMBER
●	180 lbs. (82 kg)	<b>DT002</b>
●	250 lbs. (113 kg))	<b>DT001</b>

NOTE: Weights are a suggested guide for torque and shock performance. Individual preference and performance will vary. The dampening ring included with each pylon is used to reduce the amount of rotation and vertical compression.



# Torsion Adapter



## Specifications

**Weight limit:** 275 lbs. (125 kg)  
**Axial rotation:** Rotational stop at +/- 45°  
**Build height:** 2.3 in. (58 mm)  
**Material:** Titanium core  
**Durability:** meets ISO 10328

## Product Features

- Three stiffness options
- Maintenance free
- Reduces rotational forces to residual limb



U.S. Patent #  
6468315 & 6682569

## Ordering information

DESCRIPTION	COLOR	PRODUCT NUMBER
Torsion Adapter, soft	●	731000083
Torsion Adapter, medium	●	731000082
Torsion Adapter, hard	●	731000081

# Slide Adapter



## Specifications

**Weight limit:** 220 lbs. (100 kg)  
**Product weight:** 7.1 oz. (200g)  
**Horizontal slide:** 0.9 in. (22mm)  
**Build height:** 1.8 in. (44.8 mm)  
**Material:** Titanium  
**Durability:** meets ISO 10328

## Product Features

- 0.9 in. slide anterior/ posterior and medial/ lateral for transtibial prosthesis
- 0.9 in. slide anterior/ posterior for transfemoral prosthesis



## Ordering information

DESCRIPTION	PRODUCT NUMBER
Slide Adapter	695000150



# Aluminum Tube with Female Pyramid Adapter



- TT
- TF
- SE

## Specifications

**Weight limit:** 275 lbs. (125 kg)      **Tube length:** 11.8/ 15.7 inch (300/ 400 mm)  
**Height (Female adapter):** 1.65 in. (42 mm)      **Durability:** meets ISO 10328

## Ordering information

DESCRIPTION	WEIGHT	PRODUCT NUMBER
11.8 x 1.2 x 0.08 in. (300 x 30 x 2 mm)	7.7 oz. (218 g)	<b>731000503</b>

# Aluminum Tube 30 mm



- TT
- TF
- SE

## Specifications

**Weight limit:** 275 lbs. (125 kg)      **Durability:** meets ISO 10328

## Ordering information

DESCRIPTION	WEIGHT	PRODUCT NUMBER
11.8 x 1.2 x 0.08 in. (300 x 30 x 2 mm)	5.3 oz. (151 g)	<b>721000080</b>
15.7 x 1.2 x 0.08 in. (400 x 30 x 2 mm)	7.2 oz. (205 g)	<b>721000081</b>

# XD Heavy Duty Tube 34 mm



## Specifications

Weight limit: 440 lbs. (200 kg)    Material: Carbon fiber  
 Tube length: 16.9 in. (430 mm)    Durability: meets ISO 10328

## Product Features

- XD 34 mm carbon fiber tube



## Ordering information

DESCRIPTION	PRODUCT NUMBER
XD Tube	126133



# Valves

## Specification symbols

**SE** Manufactured in Sweden

**US** Manufactured in USA

**JP** Manufactured in Japan

**TW** Manufactured in Taiwan

**TT** Transtibial

**TF** Transfemoral

# CSS Valve



## Specifications

**Head diameter:** 0.47 in. (12 mm)

**Material:** Aluminium

**Assembly:** 4 mm hex key

**Warranty:** 12 month

## Product Features

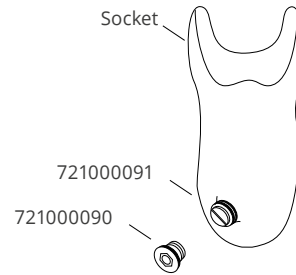
- Permits air to exit the socket when amputee stands or walks
- Gives excellent suspension
- Kit includes: CSS Valve Lamination housing and plastic dummy



721000090



721000091



## Ordering information

DESCRIPTION	PRODUCT NUMBER
CSS Valve	<b>721000090</b>
CSS Valve Kit	<b>721000089</b>
Lamination Housing with Plastic Dummy	<b>721000091</b>



# CSS-R Valve Kit with String for Vacuum Release

TT SE

## Specifications

**Build height:** 0.3 in. (8.1 mm)  
**Diameter:** 0.47 in. (11.9 mm)  
**Material:** Aluminum  
**Warranty:** 12 month

## Product Features

- Permits air to exit the socket when amputee stands or walks
- String attached for easy vacuum release



## Ordering information

DESCRIPTION	PRODUCT NUMBER
CSS-R Valve Kit with Lamination Housing & Tool	<b>72100086</b>
<b>SPARE PARTS:</b>	
72100085 - CSS-R Valve	
72100091 - Lamination housing for CSS valve with plastic dummy	
72100087 - Tool for CSS-R Valve	

# Red Dot Air Expulsion Valve

TF US

## Specifications

**Diameter:** 1.3 in. (32 mm)

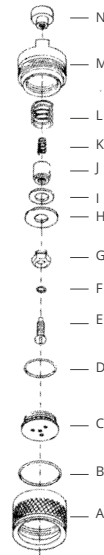
**Build height:** 0.9 in. (22 mm)

**Material:** Aluminum body

**Warranty:** 12 month

## Product Features

- Simple push button design, releases suction suspension of the socket



## Ordering information

DESCRIPTION	PRODUCT NUMBER
Red Dot Valve	<b>51936</b>
Red Dot, Valve only	<b>51951</b>

### SPARE PARTS:

A 51937 - Body	H 51942 - Flapper
B 51939 - O-Ring	I 51949 - Washer
C 51946 - Seat	J 51940 - Stern
D 59316 - O-Ring	K 51943 - Spring
E 51944 - Plunger	L 51948 - Flapper spring
F 51945 - O-Ring	M 51938 - Insert
G 51950 - Bolt	N 51941 - Button



# CTFV Valve



## Specifications

**Head diameter:** 1.5 in. (39 mm)

**Height:** 0.9 in. (23 mm)

**Material:** Stainless Steel & Delrin

**Warranty:** 12 month

## Product Features

- Knurled interior valve housing which prevents turning



## Ordering information

DESCRIPTION	PRODUCT NUMBER
CTFV	<b>721000040</b>
<b>SPARE PARTS:</b>	
721000041 - Interior valve house	721000043 - Valve
721000042 - Exterior valve house ring	721000044 - Black valve gasket, LTFU

# CTFV - CSF Valve



## Specifications

**Head diameter:** 1.5 in. (39 mm)

**Height:** 0.9 in. (23 mm)

**Material:** Stainless Steel & Delrin

**Warranty:** 12 month

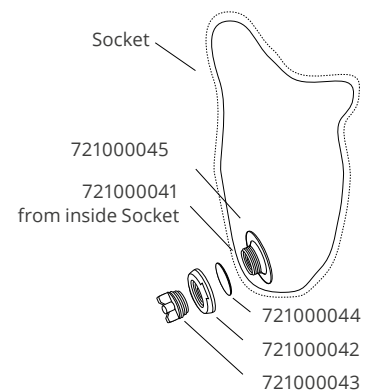
## Product Features

- Designed to be used with thermoplastic sockets
- Allows you to connect the socket to the frame
- Includes a silicone gasket to prevent air leaking into the socket



## Ordering information

DESCRIPTION	PRODUCT NUMBER
CTFV - CSF	<b>721000039</b>
<b>SPARE PARTS:</b>	
721000041 - Interior valve house	721000044 - Black valve gasket, LTFU
721000042 - Exterior valve house ring	721000045 - Silicone valve gasket for CSF
721000043 - Valve	





# S.F.S. Valve (Scandinavian Flexible Socket)

TF US

## Specifications

**Head diameter:** 1.5 in. (38mm)

**Height:** 0.7 in. (18 mm)

**Material:** Delrin

**Warranty:** 12 month

## Product Features

- Low profile for improved cosmesis
- Deep undercut with vacuum channels

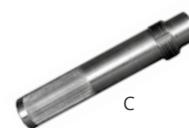


## Ordering information

DESCRIPTION	PRODUCT NUMBER
Non-Adjustable Leak Rate, with Housing and Adhesive Coating	807488
Non-Adjustable Leak Rate with Housing	807487
Non-Adjustable Leak Rate, Valve Only	807461
Adjustable Leak Rate, with Housing and Adhesive Coating	807480
Adjustable Leak Rate, with Housing	807479
Adjustable Leak Rate, Valve Only	807453
Housing Only	807388

## Ordering information

DESCRIPTION	IMAGE	PRODUCT NUMBER
Tool Kit and Accessories for S.F.S. Valve		
Velcro Retainer Kit, Includes 3 Each of Items Pictured	A	807412
Trim Tool, for S.F.S. Valve Housing	B	807396
<b>SPARE PARTS:</b>		
Replacement Blades, 2 Each Per Pack		807398
S.F.S. Valve Tap Tool	C	220010
Double Stick Tape, for Adhesive Coating	C	807446
3/4" x 18 Yard Roll (Sold Per Roll, Not Pictured)	-	





# Locks

## Specification symbols

**SE** Manufactured in Sweden

**US** Manufactured in USA

**JP** Manufactured in Japan

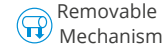
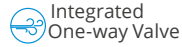
**TW** Manufactured in Taiwan

**TT** Transtibial

**TF** Transfemoral



# Locking System Chart



Original Shuttle Locks	Style	Distal Attachment	Weight Rating	Build Height	Item Number	Fabrication Kit Number	Plungers	Features
	Original	None	N/A	1-1/4 in. 3.2 cm	125229	125239	1, 1.5, 2, 2.5, 3 in.	
	Unitized	Ti Pyramid	220 lbs. (100 kg)	1-5/8 in. 4.1 cm**	125210	125239	1, 1.5, 2, 2.5, 3 in.	
	4-Hole Plate	4-Hole	220 lbs. (100 kg)	1-1/4 in. 3.2 cm	125212	125239	1, 1.5, 2, 2.5, 3 in.	
Modular Shuttle Locks	Style	Distal Attachment	Weight Rating	Build Height	Item Number	Fabrication Kit Number	Plungers	Features
	Ti Pyramid	Ti Pyramid	300 lbs. (136 kg)	1-1/2 in. 3.8 cm**	125460	125239	1, 1.5, 2, 2.5, 3 in.	
	Delrin	None	N/A	1-1/4 in. 3.2 cm****	125459	125239	1, 1.5, 2, 2.5, 3 in.	
	Cylindrical	4-Hole	300 lbs. (136 kg)	1 in. 2.5 cm	125462	125239	1, 1.5, 2, 2.5, 3 in.	
	4-Hole	4-Hole	300 lbs. (136 kg)	1-1/4 in. 3.2 cm	125461	125204	1, 1.5, 2, 2.5, 3 in.	
	Green Cylindrical	4-Hole	300 lbs. (136 kg)	1 in. 2.5 cm	125240	809867	1, 1.5, 2, 2.5, 3 in.	—
Gator Grip Locks	Style	Distal Attachment	Weight Rating	Build Height	Item Number	Fabrication Kit Number	Plungers	Features
	Ti Pyramid	Ti Pyramid	300 lbs. (136 kg)	1-1/2 in. 3.8 cm**	141002	141020	1, 1.5, 2 in.	
	Delrin	None	N/A	1-1/4 in. 3.2 cm	141001	141020	1, 1.5, 2 in.	
	Cylindrical	4-Hole	300 lbs. (136 kg)	1-1/4 in. 3.2 cm	141003	141021	1, 1.5, 2 in.	
Clutch Locks	Style	Distal Attachment	Weight Rating	Build Height	Item Number	Fabrication Kit Number	Plungers	Features
	Ti Pyramid	Ti Pyramid	300 lbs. (136 kg)	1-3/4 in. 4.4 cm**	140010	140065	1., 2 in.	
	Delrin	None	N/A	1-1/8 in. 2.9 cm****	140000	140065	1.5, 2 in.	
	Cylindrical	4-Hole	300 lbs. (136 kg)	1-1/4 in. 3.2 cm	140020	140065	1.5, 2 in.	
Pediatric Modular Locks	Style	Distal Attachment	Weight Rating	Build Height	Item Number	Fabrication Kit Number	Plungers	Features
	Ti Pyramid	Med. Ti Pyramid	132 lbs. (60 kg)	1-1/4 in. 3.2 cm**	FC100202	125420	1, 1.5 in.	
	Delrin	None	N/A	7/8 in. 2.2 cm****	125410	125420	1, 1.5 in.	
	Cylindrical	Ped 4-Hole	132 lbs. (60 kg)	1 in. 2.5 cm	FC100204	125420	1, 1.5 in.	

\*Excludes Adapter \*\*To Mid-dome \*\*\*Mid-dome to top of thread \*\*\*\*Does not include pin dummy



# Original Shuttle Lock



## Specifications

<b>Weight limit:</b> N/A	<b>Material:</b> Delrin body
<b>Product weight:</b> 2.26 oz. (64.2 g)	<b>Distal Attachment:</b> None
<b>Build Height:</b> 1.25 in. (32 mm)	<b>Warranty:</b> 12 month



## Product Features

- Stepless locking
- Corrosion-resistant material in lock mechanism offers reliable performance in humid climates

## Ordering information

DESCRIPTION	PRODUCT NUMBER
Shuttle Lock Kit, without Plunger	<b>125229</b>
Shuttle Lock Kit, with Plunger 1.0 in. (25 mm), 1/4"-20 Thread	<b>125234</b>
Shuttle Lock Kit, with Plunger 1.5 in. (38 mm), 1/4"-20 Thread	<b>125232</b>
Shuttle Lock Kit, with Plunger 2.0 in. (51 mm), 1/4"-20 Thread	<b>125237</b>
Shuttle Lock Kit, with Plunger 1.0 in. (25 mm), M10 Thread	<b>125234MM</b>
Shuttle Lock Kit, with Plunger 1.5 in. (38 mm), M10 Thread	<b>125232MM</b>
Shuttle Lock Kit, with Plunger 2.0 in. (51 mm), M10 Thread	<b>125237MM</b>

### SPARE PARTS:

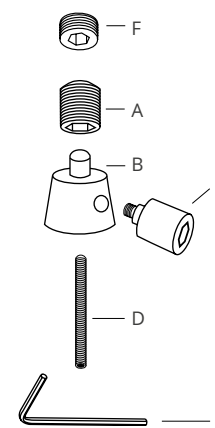
809747 - Shuttle lock body	809730 - Latch pin button
125345 - Button shield	809732 - Mounting nut
809712 - Guide screw assembly	809757 - Pe-Lite washers 3/4 in.
809731 - Latch pin	809758 - Pe-Lite washers 1 in.

## FABRICATION KIT

DESCRIPTION	PRODUCT NUMBER
Fabrication Kit	<b>125239</b>

### SPARE PARTS:

<b>A</b>	125314 - Threaded plug, 3/4-16 x 1 in.
<b>B</b>	125315 - Distal socket plug
<b>C</b>	125348 - Plug screw f/shield
<b>D</b>	880490 - Set screw, 5/16-18 x 2 in.
<b>E</b>	885347 - Hex key 1/4 in.
<b>F</b>	880928 - Threaded plug screw, 3/4-16 x 3/8 in.



## SHUTTLE LOCK PLUNGERS (NOT INCLUDED IN 125 229)

DESCRIPTION	PRODUCT NUMBER
Plunger 1.0 in. (25 mm), 1/4"-20 Thread	<b>809722</b>
Plunger 1.5 in. (38 mm), 1/4"-20 Thread	<b>809725</b>
Plunger 2.0 in. (51 mm), 1/4"-20 Thread	<b>809727</b>
Plunger 1.0 in. (25 mm), M10 Thread	<b>809722MM</b>
Plunger 1.5 in. (38 mm), M10 Thread	<b>809725MM</b>
Plunger 2.0 in. (51 mm), M10 Thread	<b>809727MM</b>
Plunger 2.5 in. (64 mm), M10 Thread	<b>809720MM</b>
Plunger 3.0 in. (76 mm), M10 Thread	<b>809721MM</b>



# Modular Shuttle Lock - with Titanium Pyramid



## Specifications

<b>Weight limit:</b> 300 lbs. (136 kg)	<b>Material:</b> Titanium pyramid
<b>Product weight:</b> 4.3 oz. (121.5 g)	<b>Warranty:</b> 12 month
<b>Build Height:</b> 1.5 in. (38 mm)	

## Product Features

- One-piece, removable lock body

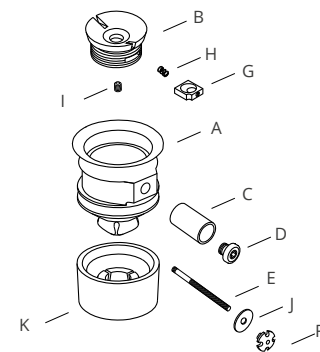


## Ordering information

DESCRIPTION	PRODUCT NUMBER
Modular Shuttle Lock	<b>125460</b>

### SPARE PARTS:

<b>A</b>	809795 - Titanium Pyramid Housing
<b>B</b>	809782 - Shuttle Body
<b>C</b>	809784 - Button Shield
<b>D</b>	809783 - Guide Screw
<b>E</b>	809731 - Latch Pin
<b>F</b>	809785 - Latch Pin Button
<b>G</b>	809711 - Shuttle Lock
<b>H</b>	809756 - Compression Spring
<b>I</b>	880033 - 6-32 x 5/16" Socket Head Set Screw
<b>J</b>	809787 - Pe-Lite Washer
<b>K</b>	124183 - Lamination Cap

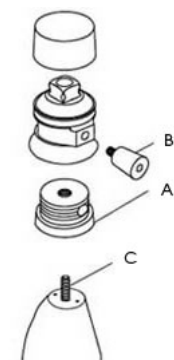


### FABRICATION KIT

DESCRIPTION	PRODUCT NUMBER
Fabrication kit	<b>125239</b>

### SPARE PARTS:

<b>A</b>	809790 - Shuttle Body Dummy
<b>B</b>	809791 - Button Shield Dummy
<b>C</b>	96880494 - 5/16-18 x 3 Socket Head Set Screw



### SHUTTLE LOCK PLUNGERS (NOT INCLUDED IN KIT)

DESCRIPTION	PRODUCT NUMBER
Plunger 1.0 in. (25 mm), 1/4"-20 Thread	<b>809722</b>
Plunger 1.5 in. (38 mm), 1/4"-20 Thread	<b>809725</b>
Plunger 2.0 in. (51 mm), 1/4"-20 Thread	<b>809727</b>
Plunger 1.0 in. (25 mm), M10 Thread	<b>809722MM</b>
Plunger 1.5 in. (38 mm), M10 Thread	<b>809725MM</b>
Plunger 2.0 in. (51 mm), M10 Thread	<b>809727MM</b>
Plunger 2.5 in. (64 mm), M10 Thread	<b>809720MM</b>
Plunger 3.0 in. (76 mm), M10 Thread	<b>809721MM</b>





# Modular Shuttle Lock - with Delrin Housing



## Specifications

**Weight limit:** N/A  
**Material:** Delrin  
**Product weight:** 2.2 oz. (62 g)  
**Warranty:** 12 month  
**Build Height:** 1.25 in. (32 mm)

## Product Features

- One-piece, removable body
- Independent alignment



## Ordering information

DESCRIPTION	PRODUCT NUMBER
Delrin Shuttle Lock, without Plunger	<b>125459</b>

SPARE PARTS	
809780 - Large Delrin Shuttle Housing	809711 - Shuttle Lock
809782 - Shuttle Body	809756 - Compression Spring
809784 - Button Shield	809783 - Guide Screw
809731 - Latch Pin	880033 - 5/16-18 x 3" Socket Head Set Screw
809785 - Latch Pin Button	809787 - Pe-Lite™ Washer

### SHUTTLE LOCK SUB ASSEMBLY

DESCRIPTION	PRODUCT NUMBER
Shuttle Lock Sub Assembly	<b>809746</b>

SPARE PARTS	
809782 - Shuttle Body	809756 - Compression Spring
809711 - Shuttle Lock	880033 - 6-32 x 5/16" Socket Head Set Screw

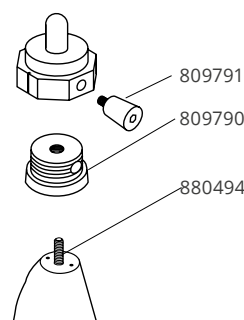
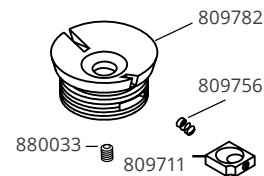
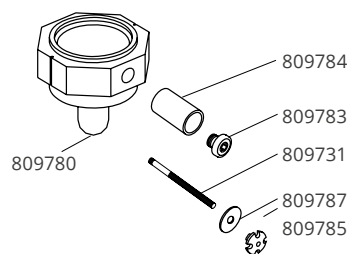
### FABRICATION KIT

DESCRIPTION	PRODUCT NUMBER
Fabrication Kit	<b>125239</b>

SPARE PARTS	
809790 - Shuttle Body Dummy	880494 - 5/16-18 x 3" Socket Head Set Screw
809791 - Button Shield Dummy	

### SHUTTLE LOCK PLUNGERS

DESCRIPTION	PRODUCT NUMBER
Plunger 1.0 in. (25 mm), 1/4"-20 Thread	<b>809722</b>
Plunger 1.5 in. (38 mm), 1/4"-20 Thread	<b>809725</b>
Plunger 2.0 in. (51 mm), 1/4"-20 Thread	<b>809727</b>
Plunger 1.0 in. (25 mm), M10 Thread	<b>809722MM</b>
Plunger 1.5 in. (38 mm), M10 Thread	<b>809725MM</b>
Plunger 2.0 in. (51 mm), M10 Thread	<b>809727MM</b>
Plunger 2.5 in. (64 mm), M10 Thread	<b>809720MM</b>
Plunger 3.0 in. (76 mm), M10 Thread	<b>809721MM</b>



# Modular Shuttle Lock - with Cylindrical Housing



## Specifications

Weight limit: 300 lb (136 kg)

Material: Delrin

Product weight: 0.34 oz. (9.6 g)

Warranty: 12 month

Build Height: 1.0 in. (25 mm)



## Product Features

- One-piece, removable body

## Ordering information

DESCRIPTION	PRODUCT NUMBER
Cylindrical Housing Shuttle Lock, without Plunger	<b>125462</b>

### SPARE PARTS

809860 - Cylindrical Housing	809785 - Latch Pin Button
809782 - Shuttle Body	809711 - Shuttle Lock
809784 - Button Shield	809756 - Compression Spring
809783 - Guide Screw	880033 - 5/16" - 18 x 3" Socket Head Set Screw
809739 - Latch Pin	809787 - Pe-Lite™ Washer

### SHUTTLE LOCK SUB ASSEMBLY

DESCRIPTION	PRODUCT NUMBER
Shuttle Lock Sub Assembly	<b>809746</b>

### SPARE PARTS

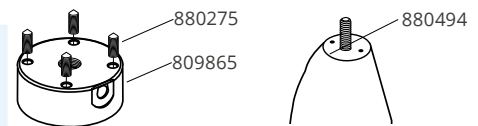
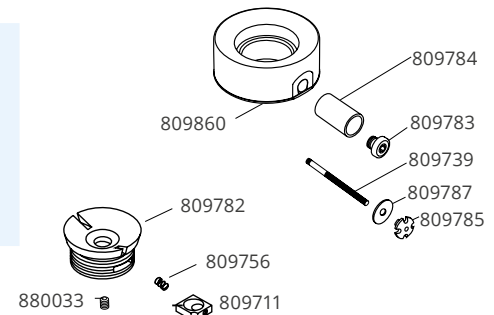
809782 - Shuttle Body	809756 - Compression Spring
809711 - Shuttle Lock	880033 - 6-32x5/16" Socket Head Set Screw

### FABRICATION KIT

DESCRIPTION	PRODUCT NUMBER
Cylindrical Housing Dummy Kit	<b>125239</b>

### SPARE PARTS

809865 - Fabrication Dummy Body
880275 - M6x1x16mm Socket Head Set Screw Cone Point
880494 - 5/16"-18x3" Socket Head Set Screw



May also use Fabrication Kits 125204 and 125202 with this item

### SHUTTLE LOCK PLUNGERS (NOT INCLUDED IN KIT)

DESCRIPTION	PRODUCT NUMBER
Plunger 1.0 in. (25 mm), 1/4"-20 Thread	<b>809722</b>
Plunger 1.5 in. (38 mm), 1/4"-20 Thread	<b>809725</b>
Plunger 2.0 in. (51 mm), 1/4"-20 Thread	<b>809727</b>
Plunger 1.0 in. (25 mm), M10 Thread	<b>809722MM</b>
Plunger 1.5 in. (38 mm), M10 Thread	<b>809725MM</b>
Plunger 2.0 in. (51 mm), M10 Thread	<b>809727MM</b>
Plunger 3.0 in. (76 mm), M10 Thread	<b>809721MM</b>





# Modular Shuttle Lock - with 4-Hole Housing



## Specifications

**Weight limit:** 300 lbs. (136 kg)

**Material:** Aluminum housing, Delrin body

**Product weight:** 3.6 oz. (102 g)

**Warranty:** 12 month

**Build Height:** 1.25 in. (32 mm)

## Product Features

- One-piece, removable body

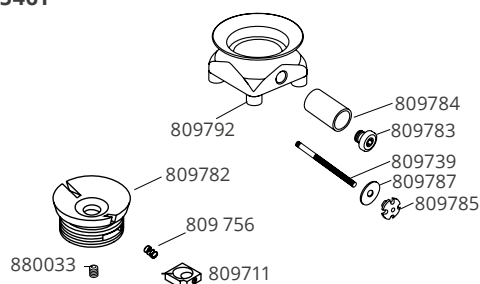


## Ordering information

DESCRIPTION	PRODUCT NUMBER
4-Hole Shuttle Lock, without Plunger	<b>125461</b>

### SPARE PARTS

809792 - 4-Hole Shuttle Housing	809785 - Latch Pin Button
809782 - Shuttle Body	809711 - Shuttle Lock
809784 - Button Shield	809756 - Compression Spring
809783 - Guide Screw	880033 - 5/16" - 18 x 3" Socket Head Set Screw
809739 - Latch Pin	809787 - Pe-Lite™ Washer

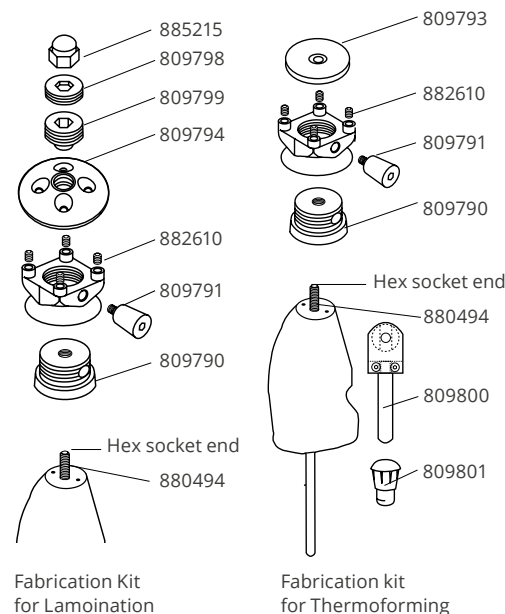


### FABRICATION KIT FOR LAMINATION

DESCRIPTION	PRODUCT NUMBER
Fabrication Kit	<b>125204</b>

### SPARE PARTS

809790 - Shuttle Body Dummy	882610 - M6 x 10 Socket Set Screw (4 Each)
809791 - Button Shield Dummy	885215 - Nut 5/16"-18 Acorn
880494 - 5/16"-18 x 3" Socket Head Set Screw	809798 - Jam Screw
809794 - Flattening Plate	809799 - Jack Screw



### FABRICATION KIT FOR THERMOFORMING

DESCRIPTION	PRODUCT NUMBER
Fabrication Kit	<b>125202</b>

### SPARE PARTS

809790 - Shuttle Body Dummy	882610 - M6 x 10 Socket Set Screw (4 Each)
809791 - Button Shield Dummy	809800 - Camlock Assembly
880494 - 5/16"-18 x 3" Socket Head Set Screw	809801 - Hole Punch
809793 - Flattening Plate	

### SHUTTLE LOCK PLUNGERS (NOT INCLUDED IN KIT)

DESCRIPTION	PRODUCT NUMBER
Plunger 1.0 in. (25 mm), 1/4"-20 Thread	<b>809722</b>
Plunger 1.5 in. (38 mm), 1/4"-20 Thread	<b>809725</b>
Plunger 2.0 in. (51 mm), 1/4"-20 Thread	<b>809727</b>
Plunger 1.0 in. (25 mm), M10 Thread	<b>809722MM</b>
Plunger 1.5 in. (38 mm), M10 Thread	<b>809725MM</b>
Plunger 2.0 in. (51 mm), M10 Thread	<b>809727MM</b>
Plunger 2.5 in. (64 mm), M10 Thread	<b>809720MM</b>
Plunger 3.0 in. (76 mm), M10 Thread	<b>809721MM</b>





# Cylindrical Lock System



## Specifications

Weight limit: 300 lbs. (136 kg)	Material: Delrin
Product weight: 2.8 oz. (80 g)	Warranty: 12 month
Build Height: 1 in. (25 mm)	



## Ordering information

DESCRIPTION	PRODUCT NUMBER
Cylindrical Lock, with 2 x Plunger 1.0 in. (25 mm) M10 Thread	<b>125240</b>
Cylindrical Lock, with 2 x Plunger 1.5 in. (37 mm) M10 Thread	<b>125241</b>

### SPARE PARTS:

809685 - Latch Pin Button for Lock Systems	880285 - M6x1x25mm Flat Socket Head Cap Screw, 4 each
809873 - Cylindrical Lock Body	

### FABRICATION KIT

DESCRIPTION	PRODUCT NUMBER
Fabrication Kit	<b>809867</b>

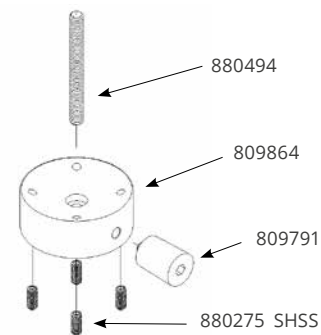
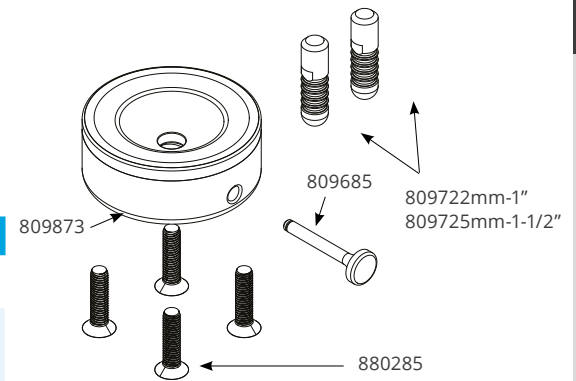
### SPARE PARTS:

- A 125314 - Threaded plug, 3/4-16 x 1 in.
- B 125315 - Distal socket plug
- C 125348 - Plug screw f/shield
- D 880490 - Set screw, 5/16-18 x 2 in.
- E 885347 - Hex key 1/4 in.
- F 880928 - Threaded plug screw, 3/4-16 x 3/8

May also use Fabrication Kits 125204 and 125202 with this item

### SHUTTLE LOCK PLUNGERS

DESCRIPTION	PRODUCT NUMBER
Plunger 1.0 in. (25 mm), 1/4"-20 Thread	<b>809722</b>
Plunger 1.5 in. (38 mm), 1/4"-20 Thread	<b>809725</b>
Plunger 2.0 in. (51 mm), 1/4"-20 Thread	<b>809727</b>
Plunger 1.0 in. (25 mm), M10 Thread	<b>809722MM</b>
Plunger 1.5 in. (37 mm), M10 Thread	<b>809725MM</b>
Plunger 2.0 in. (51 mm), M10 Thread	<b>809727MM</b>
Plunger 2.5 in. (64 mm), M10 Thread	<b>809720MM</b>
Plunger 3.0 in. (76 mm), M10 Thread	<b>809721MM</b>





# Gator Grip - with Lock Pyramid Housing



## Specifications

**Weight limit:** 300 lbs. (136 kg)      **Material:** Titanium pyramid  
**Product weight:** 4.7 oz. (133 g)      **Warranty:** 12 month  
**Build Height:** 1.5 in. (39 mm)



## Product Features

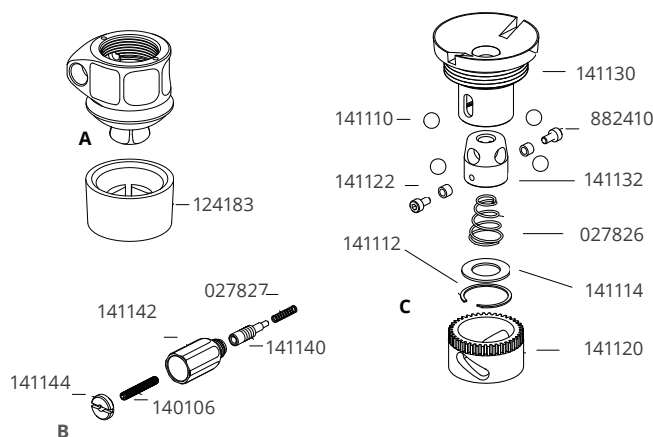
- Stepless, soundless locking
- Salt water resistant
- Available rigid or flexible plunger made of stainless steel (not included)

## Ordering information

DESCRIPTION	PRODUCT NUMBER
Gator Grip Lock Kit, with Pyramid Housing	<b>141002</b>

### SPARE PARTS

- A** 141160 - Hard Anodized Aluminum Housing, with Titanium Pyramid
- B** 141105 - Release Assembly with Spring, 1 Each  
 .....  
 027827 - Compression Spring, Stainless, 1 Each  
 140106 - Latch Pin, 1 Each  
 141140 - Release Rack, 1 Each  
 141142 - Button Shield, 1 Each  
 141144 - Latch Pin Button, 1 Each
- C** 141100 - Gator Grip Modular Lock Cartridge  
 .....  
 141110 - 316 Stainless Steel 7/32" Ball Bearing, 4 Each  
 141112 - 316 Stainless Steel Internal Retaining Ring, 1 Each  
 141114 - 316 Stainless Steel Flat Washer, 1 Each  
 141120 - Gear Driven Release Cam, 1 Each  
 141122 - Cam Follower Spacer, 2 Each  
 141130 - Modular Lock Cartridge Housing, Titanium, 1 Each  
 141132 - Ball Retainer, 1 Each  
 027826 - Conical Compression Spring, Stainless Steel  
 882410 - Cam Follower Screw, 2 Each



## FABRICATION KIT

DESCRIPTION	PRODUCT NUMBER
Gator Grip Fabrication Kit for Delrin and Pyramid Housing	<b>141020</b>

### SPARE PARTS

- 141190 - Fabrication Dummy, 1 Each      141195 - Button Dummy, 1 Each  
 141192 - 1.5 in. (37 mm) Plunger Extension, 1 Each      880494 - 5/16-18 X 3" Socket Head Set Screw, 1 Each  
 141194 - 2" Plunger Extension, 1 Each

## GATOR GRIP PLUNGERS WITH 1/4"-20 THREAD (NOT INCLUDED IN KIT)

DESCRIPTION	PRODUCT NUMBER
Flexible Plunger, 1.5 in. (38 mm)	<b>141010</b>
Flexible Plunger, 2.5 in. (64 mm)	<b>141012</b>
Rigid Plunger, 1.0 in. (25 mm)	<b>141015</b>
Rigid Plunger, 1.5 in. (38 mm)	<b>141016</b>
Rigid Plunger, 2.0 in. (51 mm)	<b>141017</b>



141012

141017

# Gator Grip Lock - with Delrin Housing



## Specifications

Weight limit: N/A	Material: Delrin
Product weight: 2.6 oz. (74 g)	Warranty: 12 month
Build Height: 1.25 in. (32 mm)	



## Product Features

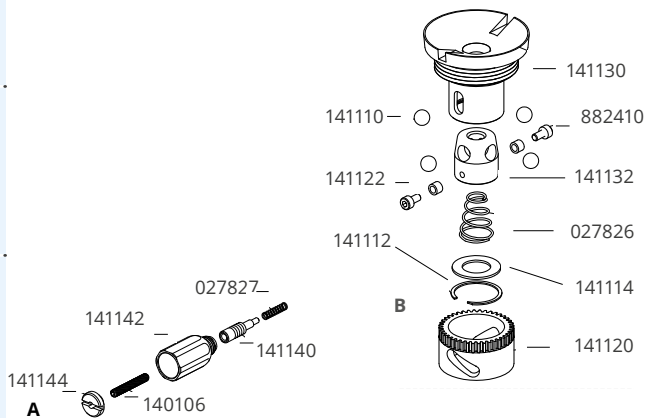
- Salt water resistant
- Available with rigid or flexible plunger made of stainless steel (not included)

## Ordering information

DESCRIPTION	PRODUCT NUMBER
Gator Grip Lock Kit, with Delrin Housing	<b>141001</b>

### SPARE PARTS

- 141150 - Delrin Housing
- A** 141105 - Release Assembly with Spring, 1 Each
- 027827 - Compression Spring, Stainless, 1 Each
- 140106 - Latch Pin, 1 Each
- 141140 - Release Rack, 1 Each
- 141142 - Button Shield, 1 Each
- 141144 - Latch Pin Button, 1 Each
- B** 141100 - Gator Grip Modular Lock Cartridge
- 141110 - 316 Stainless Steel 7/32" Ball Bearing, 4 Each
- 141112 - 316 Stainless Steel Internal Retaining Ring, 1 Each
- 141114 - 316 Stainless Steel Flat Washer, 1 Each
- 141120 - Gear Driven Release Cam, 1 Each
- 141122 - Cam Follower Spacer, 2 Each
- 141130 - Modular Lock Cartridge Housing, Titanium, 1 Each
- 141132 - Ball Retainer, 1 Each
- 027826 - Conical Compression Spring, Stainless Steel
- 882410 - Cam Follower Screw, 2 Each



### FABRICATION KIT

DESCRIPTION	PRODUCT NUMBER
Gator Grip Fabrication Kit for Delrin and Pyramid Housing	<b>141020</b>

### SPARE PARTS

- 141190 - Fabrication Dummy, 1 Each
- 141192 - 1 1/2" Plunger Extension, 1 Each
- 141194 - 2" Plunger Extension, 1 Each
- 141195 - Button Dummy, 1 Each
- 880494 - 5/16-18 X 3" Socket Head Set Screw, 1 Each

### GATOR GRIP PLUNGERS WITH 1/4"-20 THREAD (NOT INCLUDED IN KIT)

DESCRIPTION	PRODUCT NUMBER
Flexible Plunger, 1.5 in. (38 mm)	<b>141010</b>
Flexible Plunger, 2.5 in. (64 mm)	<b>141012</b>
Rigid Plunger, 1.0 in. (25 mm)	<b>141015</b>
Rigid Plunger, 1.5 in. (38 mm)	<b>141016</b>
Rigid Plunger, 2.0 in. (51 mm)	<b>141017</b>



141012

141017



# Gator Grip Lock - with Cylindrical Housing



## Specifications

<b>Weight limit:</b> 300 lbs. (136 kg)	<b>Material:</b> Delrin
<b>Product weight:</b> 4.6 oz. (132 g)	<b>Warranty:</b> 12 month
<b>Build Height:</b> 1.25 in. (32 mm)	



## Product Features

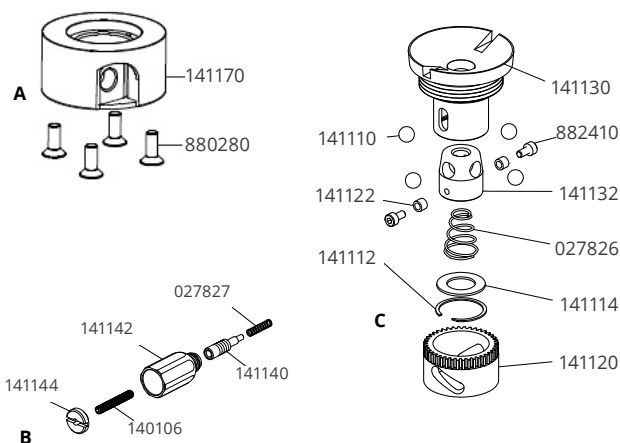
- Salt water resistant
- Available with rigid or flexible plunger made of stainless steel (not included)

## Ordering information

DESCRIPTION	PRODUCT NUMBER
Gator Grip Lock Kit, with Cylindrical Housing	<b>141003</b>

### SPARE PARTS

- A** 141150 - Delrin Housing
- B** 141105 - Release Assembly with Spring, 1 Each
- 027827 - Compression Spring, Stainless, 1 Each
  - 140106 - Latch Pin, 1 Each
  - 141140 - Release Rack, 1 Each
  - 141142 - Button Shield, 1 Each
  - 141144 - Latch Pin Button, 1 Each
- C** 141100 - Gator Grip Modular Lock Cartridge
- 141110 - 316 Stainless Steel 7/32" Ball Bearing, 4 Each
  - 141112 - 316 Stainless Steel Internal Retaining Ring, 1 Each
  - 141114 - 316 Stainless Steel Flat Washer, 1 Each
  - 141120 - Gear Driven Release Cam, 1 Each
  - 141122 - Cam Follower Spacer, 2 Each
  - 141130 - Modular Lock Cartridge Housing, Titanium, 1 Each
  - 141132 - Ball Retainer, 1 Each
  - 027826 - Conical Compression Spring, Stainless Steel
  - 882410 - Cam Follower Screw, 2 Each

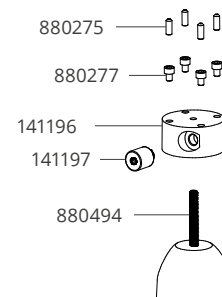


### FABRICATION KIT

DESCRIPTION	PRODUCT NUMBER
Gator Grip Fabrication Kit, for Cylindrical Housing	<b>141021</b>

### SPARE PARTS

- |  |   |
|--|---|
| 141196 - Fabrication Dummy, 1 Each                 | 80275 - M6x1x16mm Socket Head Set Screw, 4 Each |
| 141197 - Button Dummy, 1 Each                      | 141022 - Fabrication Kit, for Thermoforming     |
| 80494 - 5/16-18 X 3" Socket Head Set Screw, 1 Each | 141024 - Fabrication Kit, for Lamination        |
| 80277 - M6x1x8mm Socket Head Cap Screw, 4 Each     |   |



### GATOR GRIP PLUNGERS WITH 1/4"-20 THREAD (NOT INCLUDED IN KIT)

DESCRIPTION	PRODUCT NUMBER
Flexible Plunger, 1.3 in. (33 mm)	<b>141009</b>
Flexible Plunger, 1.5 in. (38 mm)	<b>141010</b>
Flexible Plunger, 2.5 in. (64 mm)	<b>141012</b>
Rigid Plunger, 1.0 in. (25 mm)	<b>141015</b>
Rigid Plunger, 1.5 in. (38 mm)	<b>141016</b>
Rigid Plunger, 2.0 in. (51 mm)	<b>141017</b>



# Clutch Lock - with Titanium Pyramid



## Specifications

Weight limit: 300 lbs. (136 kg)	Material: Titanium pyramid
Product weight: 5.5 oz. (157 g)	Warranty: 12 month
Build Height: 1.75 in. (44 mm)	

## Product Features

- One way valve
- Plunger sold separately



## Ordering information

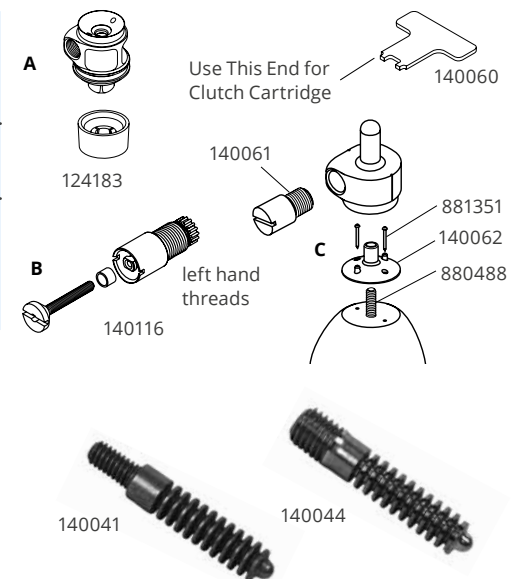
DESCRIPTION	PRODUCT NUMBER
Pyramid Clutch Lock Kit, without Plunger	<b>140010</b>

### SPARE PARTS

- A** 140002 - Delrin Housing, for Clutch Lock
- B** 140150 - Clutch Lock, with Air Expulsion  
 - 140116 - Latch Pin  
 - 141197 - Button Dummy, 1 Each
- C** 140065 - Fabrication Kit, for Clutch Lock  
 -140060 - Wrench  
 -140061 - Clutch Housing Dummy  
 -140062 - Distal Attachment Dummy  
 -880488 - 1/4"-20x2" Socket Head Set Screw  
 -881351 - Brass Nail

### CLUTCH LOCK PLUNGERS (NOT INCLUDED IN KIT)

DESCRIPTION	PRODUCT NUMBER
Plunger, 1.5 in. (38 mm), 1/4"-20 Thread	<b>140041</b>
Plunger, 2.0 in (51 mm), 1/4"-20 Thread	<b>140040</b>
Plunger, 1.5 in. (38 mm), M10 Thread	<b>140044</b>
Plunger, 2.0 in. (51 mm), M10 Thread	<b>140043</b>





# Clutch Lock - with Delrin Housing



## Specifications

<b>Weight limit:</b> N/A	<b>Material:</b> Delrin
<b>Product weight:</b> 2.6 oz. (75 g)	<b>Warranty:</b> 12 month
<b>Build Height:</b> 1.12 in. (29 mm)	

## Product Features

- Tightening possible using locking mechanism
- Plunger sold separately
- Valve

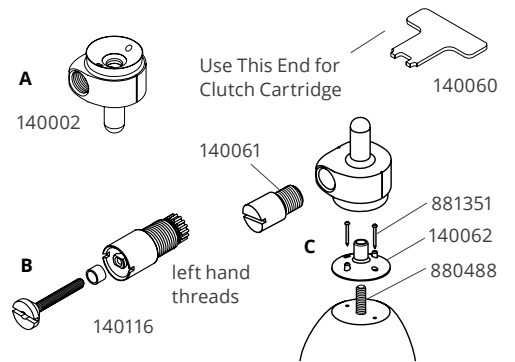


## Ordering information

DESCRIPTION	PRODUCT NUMBER
Delrin Clutch Lock Kit, without Plunger	<b>140000</b>

### SPARE PARTS

- A** 140002 - Delrin Housing, for Clutch Lock
- B** 140150 - Clutch Lock, with Air Expulsion
  - 140116 - Latch Pin 141197 - Button Dummy, 1 Each
- C** 140065 - Fabrication Kit, for Clutch Lock
  - 140060 - Wrench
  - 140061 - Clutch Housing Dummy
  - 140062 - Distal Attachment Dummy
  - 880488 - 1/4-20x2" Socket Head Set Screw
  - 881351 - Brass Nail



### CLUTCH LOCK PLUNGERS

DESCRIPTION	PRODUCT NUMBER
Plunger, 1.5 in. (38 mm), 1/4"-20 Thread	<b>140041</b>
Plunger, 2.0 in (51 mm), 1/4"-20 Thread	<b>140040</b>
Plunger, 1.5 in. (38 mm), M10 Thread	<b>140044</b>
Plunger, 2.0 in. (51 mm), M10 Thread	<b>140043</b>



# Clutch Lock with Cylindrical 4-Hole Housing



## Specifications

Weight limit: 300 lbs. (136 kg)

Material: Delrin

Product weight: 4.2 oz. (120 g)

Warranty: 12 month

Build Height: 1.25 in. (32 mm)

## Product Features

- One way valve
- Plunger sold separately



## Ordering information

DESCRIPTION	PRODUCT NUMBER
4-Hole Cylindrical Clutch Lock Kit, without Plunger	<b>140020</b>

### SPARE PARTS

**A** 140023 - 4-Hole Cylindrical Housing, for Clutch Lock

880282 - M6x1x20mm Flat Head Socket Cap Screw

882613 - M6x1x12mm Socket Head Cap Screw

**B** 140150 - Clutch Lock, with Air Expulsion

- 140116 - Latch Pin/141197 - Button Dummy, 1 Each

**C** 140065 - Fabrication Kit, for Clutch Lock

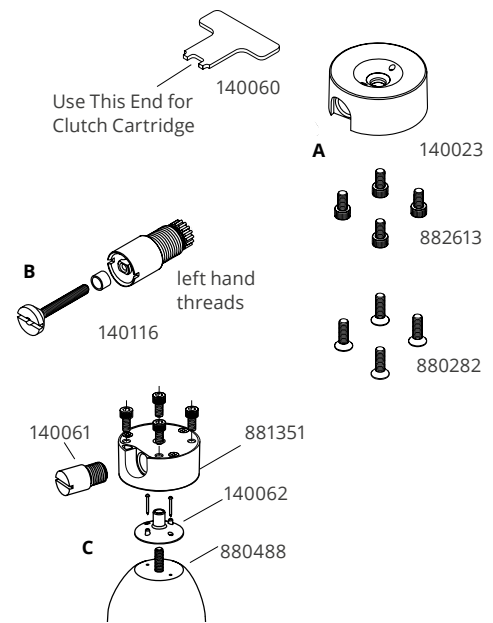
- 140060 - Wrench

- 140061 - Clutch Housing Dummy

- 140062 - Distal Attachment Dummy

- 880488 - 1/4"-20x2" Socket Head Set Screw

- 881351 - Brass Nail



## FABRICATION DUMMY KIT (CYLINDRICAL 4-HOLE HOUSING)

DESCRIPTION	PRODUCT NUMBER
2 in. Clutch Lock Plunger, 1/4"-20 Thread	<b>140065</b>

### SPARE PARTS

140063 - Fabrication Dummy (Cylindrical Clutch Lock)

880494 - 5/16"-18x3" Socket Head Set Screw

882610 - M6x1x10mm Socket Head Set Screw

## CLUTCH LOCK PLUNGERS (NOT INCLUDED IN KIT)

DESCRIPTION	PRODUCT NUMBER
Plunger, 1.5 in. (38 mm), 1/4"-20 Thread	<b>140041</b>
Plunger, 2.0 in. (51 mm), 1/4"-20 Thread	<b>140040</b>
Plunger, 1.5 in. (38 mm), M10 Thread	<b>140044</b>
Plunger, 2.0 in. (51 mm), M10 Thread	<b>140043</b>





# Shuttle Vac



## Specifications

<b>Weight limit:</b> N/A	<b>Material:</b> Delrin
<b>Weight:</b> 0.1 oz. (2.6 g)	<b>Warranty:</b> 12 month
<b>Build Height:</b> 1.25 in. (31 mm)	



## Product Features

- Retrofits to Fillauer Original Shuttle Lock attachment nut
- Adds versatility and clinical suspension options
- Uses water resistant duckbill valve design
- Allows patient evaluation of suction

## Ordering information

DESCRIPTION	PRODUCT NUMBER
Shuttle Vac	<b>125900</b>



## Shuttle Lock Plungers

US



### WITH 1/4"-20 THREAD

DESCRIPTION	PRODUCT NUMBER
Plunger, 1.0 in. (25 mm)	809722
Plunger, 1.5 in. (37 mm)	809725
Plunger, 2.0 in. (51 mm)	809727
Extension Adapter, 1.0 in. (25 mm) for Plunger (Not Pictured)	809718

### WITH M10 METRIC THREAD

DESCRIPTION	PRODUCT NUMBER
Plunger, 1.0 in. (25 mm)	809722MM
Plunger, 1.5 in. (37 mm)	809725MM
Plunger, 2.0 in. (51 mm)	809727MM
Plunger, 2.5 in. (64 mm)	809720MM
Plunger, 3.0 in. (76 mm)	809721MM

## Gator Grip Plungers

US



### WITH M10 METRIC THREAD

DESCRIPTION	PRODUCT NUMBER
Flexible plunger, 1.5 in. (37 mm)	141010
Flexible plunger 2.5 in. (64 mm)	141012
Rigid plunger 1.0 in. (25 mm)	141015
Rigid plunger 1.5 in. (37 mm)	141016
Rigid plunger 2.0 in. (51 mm)	141017

## Clutch Lock Plungers

US



### WITH 1/4-20" THREAD

DESCRIPTION	PRODUCT NUMBER
Plunger, 1.5 in. (37 mm)	140041
Plunger, 2.0 in. (51 mm)	140040

### WITH M10 THREAD

DESCRIPTION	PRODUCT NUMBER
Plunger, 1.5 in. (37 mm)	140044
Plunger, 2.0 in. (51 mm)	140043

## For Small Delrin Shuttle Lock

US



### WITH 1/4"-20 THREAD

DESCRIPTION	PRODUCT NUMBER
Plunger, 1.0 in. (25 mm)	809826
Plunger, 1.5 in. (37 mm)	809827

### WITH M10 METRIC THREAD

DESCRIPTION	PRODUCT NUMBER
Plunger, 1.0 in. (25 mm)	809826MM
Plunger, 1.5 in. (37 mm)	809827MM

### WITH M6 METRIC THREAD

DESCRIPTION	PRODUCT NUMBER
Plunger, 1.0 in. (25 mm)	809823MM
Plunger, 1.5 in. (37 mm)	809825MM

## Lock Device Plungers

US



DESCRIPTION	PRODUCT NUMBER
Plunger, For Use with PDI Device (Special Order)	809768
Plunger, For Use with Iceross Lock Device	809770
Plunger, M10 Iceross® Style, For Use with Clutch Lock Only	809771



# Latch Pins

US



## Ordering information

DESCRIPTION	PRODUCT NUMBER
Latch Pin, 0.19x2 in. (5x51 mm) for Regular Shuttle Locks	<b>809731</b>
Latch Pin, 0.19x3.5 in. (5x89 mm) for Transfemorals	<b>809728</b>
Latch Pin, 0.13x2 in. (3x51 mm) for Small Shuttle Locks	<b>809729</b>
Latch Pin, 0.13x3.5 in. (3x89 mm) for Small Shuttle Locks	<b>809734</b>







# Sleeves & Liners

## Specification symbols

**SE** Manufactured in Sweden

**US** Manufactured in USA

**JP** Manufactured in Japan

**TW** Manufactured in Taiwan

**TT** Transtibial

**TF** Transfemoral

# Absolute Preflexed Sleeve

TT
SE

## Specifications

**Length:** 15.7 in. (40 cm)

**Warranty:** 3 month

**Material:** TPE gel & elastic fabric

**Durability:** meets ISO 10993-5 & 10993-10

## Product Features

- Thermoformable gel (TPE) for custom fit
- Infused medical grade oil for skin protection
- FDA approved elastomer
- Greater heat transfer than silicone
- Extra Soft Gel; Shore A - 00
- Reinforced on the inside of the knee to ensure a longer life



## Ordering information

### ABSOLUTE PREFLEXED SUSPENSION SLEEVE 3MM

SIZE	DISTAL CIRCUMFERENCE	PROXIMAL CIRCUMFERENCE*	● BEIGE	● BLACK
Small	8.3 - 9.8 in. (21 - 25 cm)	10.2 - 12.2 in. (26 - 31 cm)	<b>803471314</b>	<b>803461314</b>
Medium	10.2 - 12.6 in. (26 - 32 cm)	12.2 - 15.0 in. (31 - 38 cm)	<b>803471318</b>	<b>803461318</b>
Medium+	11.8 - 14.2 in. (30 - 36 cm)	15.0 - 17.3 in. (38 - 44 cm)	<b>803471322</b>	<b>803461322</b>
Large	12.6 - 15.7 in. (32 - 40 cm)	17.3 - 19.7 in. (44 - 50 cm)	<b>803471326</b>	<b>803461326</b>
Large+	13.4 - 16.5 in. (34 - 42 cm)	19.7 - 23.6 in. (50 - 60 cm)	<b>803471332</b>	<b>803461332</b>
X-Large	15.7 - 19.3 in. (40 - 49 cm)	23.6 - 27.6 in. (60 - 70 cm)	<b>803471340</b>	<b>803461340</b>

\*NOTE: The proximal circumference is measured 15 cm above the mid-patella tendon. The distal circumference is measured 15 cm below the mid-patella tendon.



# Absolute Straight Sleeve



## Specifications

**Length:** 13.8 in. (35 cm)

**Warranty:** 3 month

**Material:** TPE gel & elastic fabric

**Durability:** meets ISO 10993-5 & 10993-10



## Product Features

- Thermoformable gel (TPE) for custom fit
- Infused medical grade oil for skin protection
- FDA approved elastomer
- Extra Soft Gel; Shore A - 00

## Ordering information

### ABSOLUTE STRAIGHT SUSPENSION SLEEVE 3 MM

SIZE	DISTAL CIRCUMFERENCE	PROXIMAL CIRCUMFERENCE*	● BEIGE	● BLACK
X-Small	3.9 - 6.7 in. (10 - 17 cm)	6.3 - 9.4 in. (16 - 24 cm)	<b>803371301</b>	<b>803361301</b>
Small	5.9 - 8.7 in. (15 - 22 cm)	9.1 - 13.4 in. (23 - 34 cm)	<b>803371302</b>	<b>803361302</b>
Medium	8.3 - 11.8 in. (21 - 30 cm)	11.4 - 16.9 in. (29 - 43 cm)	<b>803371303</b>	<b>803361303</b>
Medium+	9.4 - 13.8 in. (24 - 35 cm)	13.0 - 18.5 in. (33 - 47 cm)	<b>803371304</b>	<b>803361304</b>
Large	11.0 - 16.5 in. (28 - 42 cm)	14.2 - 20.1 in. (36 - 51 cm)	<b>803371305</b>	<b>803361305</b>
Large+	12.2 - 18.1 in. (31 - 46 cm)	15.4 - 21.7 in. (39 - 55 cm)	<b>803371306</b>	<b>803361306</b>
X-Large	13.4 - 19.7 in. (34 - 50 cm)	16.5 - 23.6 in. (42 - 60 cm)	<b>803371307</b>	<b>803361307</b>
XX-Large	14.2 - 21.7 in. (36 - 55 cm)	17.3 - 27.6 in. (44 - 70 cm)	<b>803371308</b>	<b>803361308</b>

\*NOTE: The proximal circumference is measured 15 cm above the mid-patella tendon. The distal circumference is measured 15 cm below the mid-patella tendon.

# Absolute Straight Sleeve - No Fabric



## Specifications

**Length:** 13.8 in. (35 cm)      **Warranty:** 3 month  
**Material:** Micro-coated TPE gel      **Durability:** meets ISO 22523

## Product Features

- Very high elasticity
- Micro-coating on the outside for easy cleaning & donning
- Thermoformable gel (TPE) for custom fit
- Sticky on the inside
- Extra Soft Gel; Shore A - 00



## Ordering information

### ABSOLUTE STRAIGHT SUSPENSION SLEEVE 3 MM

SIZE	DISTAL CIRCUMFERENCE*	PROXIMAL CIRCUMFERENCE*	PRODUCT NUMBER
Small	5.5 - 8.3 in. (14 - 21 cm)	9.0 - 13.8 in. (23 - 35 cm)	<b>803311314</b>
Medium	7.0 - 10.6 in. (18 - 27 cm)	10.2 - 15.3 in. (26 - 39 cm)	<b>803311318</b>
Medium+	8.7 - 13.0 in. (22 - 33 cm)	11.8 - 17.7 in. (30 - 45 cm)	<b>803311322</b>
Large	10.0 - 15.3 in. (26 - 39 cm)	13.8 - 20.9 in. (35 - 53 cm)	<b>803311326</b>
Large+	12.6 - 18.9 in. (32 - 48 cm)	16.1 - 24.4 in. (41 - 62 cm)	<b>803311332</b>
X-Large	15.7 - 23.6 in. (40 - 60 cm)	18.5 - 28.0 in. (47 - 71 cm)	<b>803311340</b>

\*NOTE: The proximal circumference is measured 15 cm above the mid-patella tendon. The distal circumference is measured 15 cm below the mid-patella tendon.



# Absolute Locking Liner - Thin Bottom

TT SE

## Specifications

**Length:** 16.9 in. (43 cm)

**Material:** TPE gel & elastic fabric

**Warranty:** 6 months for liner with fabric  
12 months for liner if used in pairs

**Durability:** meets ISO 10993-5 & 10993-10

## Product Features

- Thermoformable gel (TPE) or custom fit
- Infused, medical grade oil for skin protection
- FDA approved elastomer
- Extra Soft Gel; Shore A - 00
- 4 in. (10 cm) distal matrix
- Can be custom fabricated
- M10 Thread



## Ordering information

SIZE	UNIFORM 3 MM		TAPERED 6 MM		CONTOURED 6 + 3 MM	
	● Beige	● Black	● Beige	● Black	● Beige	● Black
X-Small	805771301	805761301	805971601	805961601	805871601	805861601
Small	805771302	805761302	805971602	805961602	805871602	805861602
Medium	805771303	805761303	805971603	805961603	805871603	805861603
Medium+	805771304	805761304	805971604	805961604	805871604	805861604
Large	805771305	805761305	805971605	805961605	805871605	805861605
Large+	805771307	805761307	805971607	805961607	805871607	805861607
X-Large	805771308	805761308	805971608	805961608	805871608	805861608
Distal thickness	3 mm		6 mm		6 mm	

## SIZE CHART

SIZE	DISTAL CIRCUMFERENCE 5 CM FROM DISTAL END	PROXIMAL CIRCUMFERENCE 40 CM FROM DISTAL END
X-Small	5.5 - 7.9 in. (14 - 20 cm)	9.1 - 13.0 in. (23 - 33 cm)
Small	7.1 - 9.8 in. (18 - 25 cm)	9.8 - 14.2 in. (25 - 36 cm)
Medium	8.7 - 12.2 in. (22 - 31 cm)	11.8 - 16.9 in. (30 - 43 cm)
Medium+	9.1 - 13.0 in. (23 - 33 cm)	14.2 - 20.5 in. (36 - 52 cm)
Large	10.2 - 14.6 in. (26 - 37 cm)	13.4 - 19.3 in. (34 - 49 cm)
Large+	12.6 - 18.1 in. (32 - 46 cm)	16.1 - 23.2 in. (41 - 59 cm)
X-Large	15.7 - 22.8 in. (40 - 58 cm)	18.5 - 26.8 in. (47 - 68 cm)



# Absolute Locking Liner - Thick Bottom

TT SE

## Specifications

**Length:** 16.9 in. (43 cm)

**Material:** TPE gel & elastic fabric

**Warranty:** 6 months for liner with fabric  
12 months for liner if used in pairs

**Durability:** meets ISO 10993-5 & 10993-10

## Product Features

- Thermoformable gel (TPE) for custom fit
- Infused, medical grade oil for skin protection
- FDA approved elastomer
- Extra Soft Gel; Shore A - 00
- 4 in. (10 cm) distal matrix
- Can be custom fabricated
- M10 Thread



## Ordering information

SIZE	UNIFORM 3 MM		TAPERED 6 MM		CONTOURED 6 + 3 MM	
	● Beige	● Black	● Beige	● Black	● Beige	● Black
X-Small	802771301	802761301	802971601	802961601	802871601	802861601
Small	802771302	802761302	802971602	802961602	802871602	802861602
Medium	802771303	802761303	802971603	802961603	802871603	802861603
Medium+	802771304	802761304	802971604	802961604	802871604	802861604
Large	802771305	802761305	802971605	802961605	802871605	802861605
Large+	802771307	802761307	802971607	802961607	802871607	802861607
X-Large	802771308	802761308	802971608	802961608	802871608	802861608
Distal thickness	5 mm		8 mm		8 mm	

## SIZE CHART

SIZE	DISTAL CIRCUMFERENCE 5 CM FROM DISTAL END	PROXIMAL CIRCUMFERENCE 40 CM FROM DISTAL END
X-Small	5.5 - 7.9 in. (14 - 20 cm)	9.1 - 13.0 in. (23 - 33 cm)
Small	7.1 - 9.8 in. (18 - 25 cm)	9.8 - 14.2 in. (25 - 36 cm)
Medium	8.7 - 12.2 in. (22 - 31 cm)	11.8 - 16.9 in. (30 - 43 cm)
Medium+	9.1 - 13.0 in. (23 - 33 cm)	14.2 - 20.5 in. (36 - 52 cm)
Large	10.2 - 14.6 in. (26 - 37 cm)	13.4 - 19.3 in. (34 - 49 cm)
Large+	12.6 - 18.1 in. (32 - 46 cm)	16.1 - 23.2 in. (41 - 59 cm)
X-Large	15.7 - 22.8 in. (40 - 58 cm)	18.5 - 26.8 in. (47 - 68 cm)



# Absolute Cushion Liner - Thin Bottom

TT

SE

## Specifications

**Length:** 16.9 in. (43 cm)

**Material:** TPE gel & elastic fabric

**Warranty:** 6 months for liner with fabric  
12 months for liner if used in pairs

**Durability:** meets ISO 10993-5 & 10993-10

## Product Features

- Thermoformable gel (TPE) for custom fit
- Infused, medical grade oil for skin protection
- FDA approved elastomer
- Extra Soft Gel; Shore A - 00
- Can be custom fabricated



## Ordering information

SIZE	UNIFORM 3 MM		TAPERED 6 MM		CONTOURED 6 + 3 MM	
	● Beige	● Black	● Beige	● Black	● Beige	● Black
X-Small	804771301	804761301	804971601	804961601	804871601	804861601
Small	804771302	804761302	804971602	804961602	804871602	804861602
Medium	804771303	804761303	804971603	804961603	804871603	804861603
Medium+	804771304	804761304	804971604	804961604	804871604	804861604
Large	804771305	804761305	804971605	804961605	804871605	804861605
Large+	804771307	804761307	804971607	804961607	804871607	804861607
X-Large	804771308	804761308	804971608	804961608	804871608	804861608
Distal thickness	3 mm		6 mm		6 mm	

## SIZE CHART

SIZE	DISTAL CIRCUMFERENCE 5 CM FROM DISTAL END	PROXIMAL CIRCUMFERENCE 40 CM FROM DISTAL END
X-Small	5.5 - 7.9 in. (14 - 20 cm)	9.1 - 13.0 in. (23 - 33 cm)
Small	7.1 - 9.8 in. (18 - 25 cm)	9.8 - 14.2 in. (25 - 36 cm)
Medium	8.7 - 12.2 in. (22 - 31 cm)	11.8 - 16.9 in. (30 - 43 cm)
Medium+	9.1 - 13.0 in. (23 - 33 cm)	14.2 - 20.5 in. (36 - 52 cm)
Large	10.2 - 14.6 in. (26 - 37 cm)	13.4 - 19.3 in. (34 - 49 cm)
Large+	12.6 - 18.1 in. (32 - 46 cm)	16.1 - 23.2 in. (41 - 59 cm)
X-Large	15.7 - 22.8 in. (40 - 58 cm)	18.5 - 26.8 in. (47 - 68 cm)

# Absolute Cushion Liner - Thick Bottom

TT SE

## Specifications

**Length:** 16.9 in. (43 cm)

**Material:** TPE gel & elastic fabric

**Warranty:** 6 months for liner with fabric  
12 months for liner if used in pairs

**Durability:** meets ISO 10993-5 & 10993-10

## Product Features

- Thermoformable gel (TPE) for custom fit
- Infused, medical grade oil for skin protection
- FDA approved elastomer
- Extra Soft Gel; Shore A - 00
- Can be custom fabricated



## Ordering information

SIZE	UNIFORM 3 MM		TAPERED 6 MM		CONTOURED 6 + 3 MM		CONTOURED 9 MM	
	● Beige ● Black		● Beige ● Black		● Beige ● Black		● Beige ● Black	
X-Small	801771301	801761301	801971601	801961601	801871601	801861601	804871901	804861901
Small	801771302	801761302	801971602	801961602	801871602	801861602	804871902	804861902
Medium	801771303	801761303	801971603	801961603	801871603	801861603	804871903	804861903
Medium+	801771304	801761304	801971604	801961604	801871604	801861604	804871904	804861904
Large	801771305	801761305	801971605	801961605	801871605	801861605	804871905	804861905
Large+	801771307	801761307	801971607	801961607	801871607	801861607	-	-
X-Large	801771308	801761308	801971608	801961608	801871608	801861608	-	-
Distal thickness	5 mm		8 mm		8 mm		9 mm	

## SIZE CHART

SIZE	DISTAL CIRCUMFERENCE 5 CM FROM DISTAL END	PROXIMAL CIRCUMFERENCE 40 CM FROM DISTAL END
X-Small	5.5 - 7.9 in. (14 - 20 cm)	9.1 - 13.0 in. (23 - 33 cm)
Small	7.1 - 9.8 in. (18 - 25 cm)	9.8 - 14.2 in. (25 - 36 cm)
Medium	8.7 - 12.2 in. (22 - 31 cm)	11.8 - 16.9 in. (30 - 43 cm)
Medium+	9.1 - 13.0 in. (23 - 33 cm)	14.2 - 20.5 in. (36 - 52 cm)
Large	10.2 - 14.6 in. (26 - 37 cm)	13.4 - 19.3 in. (34 - 49 cm)
Large+	12.6 - 18.1 in. (32 - 46 cm)	16.1 - 23.2 in. (41 - 59 cm)
X-Large	15.7 - 22.8 in. (40 - 58 cm)	18.5 - 26.8 in. (47 - 68 cm)



# Absolute Cushion Liner - No Fabric



## Specifications

**Length:** 16.9 in. (43 cm)

**Material:** Micro-coated TPE gel

**Warranty:** 6 months for liner with fabric  
12 months for liner if used in pairs

**Durability:** meets ISO 10993-5 & 10993-10



## Product Features

- Very high elasticity
- Micro coating on the outside for easy cleaning & donning
- Infused with medical grade mineral oil
- Thermoformable gel (TPE) for custom fit

## Ordering information

### UNIFORM 3 MM - EXTRA SOFT

SIZE	DISTAL CIRCUMFERENCE*	PROXIMAL CIRCUMFERENCE*	PRODUCT NUMBER
Small	5.5 - 6.7 in. (14 - 21 cm)	9.1 - 11.0 in. (23 - 35 cm)	<b>801111314</b>
Medium	7.1 - 8.3 in. (18 - 27 cm)	9.8 - 12.2 in. (26 - 39 cm)	<b>801111318</b>
Medium+	8.7 - 9.8 in. (22 - 33 cm)	11.8 - 14.6 in. (30 - 45 cm)	<b>801111322</b>
Large	10.2 - 12.2 in. (26 - 39 cm)	13.4 - 16.5 in. (35 - 53 cm)	<b>801111326</b>
Large+	12.6 - 15.4 in. (32 - 48 cm)	16.1 - 19.7 in. (41 - 62 cm)	<b>801111332</b>
X-Large	15.7 - 18.5 in. (40 - 60 cm)	18.5 - 22.4 in. (47 - 71 cm)	<b>801111340</b>

\*NOTE: The proximal circumference is measured 15 cm above the mid-patella tendon. The distal circumference is measured 15 cm below the mid-patella tendon.

### TAPERED 6 MM - EXTRA SOFT

SIZE	DISTAL CIRCUMFERENCE*	PROXIMAL CIRCUMFERENCE*	PRODUCT NUMBER
Small	5.5 - 6.7 in. (14 - 21 cm)	9.1 - 11.0 in. (23 - 35 cm)	<b>801211614</b>
Medium	7.1 - 8.3 in. (18 - 27 cm)	9.8 - 12.2 in. (26 - 39 cm)	<b>801211618</b>
Medium+	8.7 - 9.8 in. (22 - 33 cm)	11.8 - 14.6 in. (30 - 45 cm)	<b>801211622</b>
Large	10.2 - 12.2 in. (26 - 39 cm)	13.4 - 16.5 in. (35 - 53 cm)	<b>801211626</b>
Large+	12.6 - 15.4 in. (32 - 48 cm)	16.1 - 19.7 in. (41 - 62 cm)	<b>801211632</b>
X-Large	15.7 - 18.5 in. (40 - 60 cm)	18.5 - 22.4 in. (47 - 71 cm)	<b>801211640</b>

\*NOTE: The proximal circumference is measured 15 cm above the mid-patella tendon. The distal circumference is measured 15 cm below the mid-patella tendon.



Kung Hans väg 2  
192 68 Sollentuna  
Sweden

Phone: +46 8 505 332 00

E-mail: order@fillauer.com

## Order form Custom Made Liner



Customer:

Patient name / number:

Date & Ordered by:

Phone / email:

Purchasing order #:

### ORDERING INFORMATION

First order:  Repeat order:

Type of liner	Prod. No First order	Prod. No Repeat order
Cushion liner, black	<b>801100301</b>	<b>801100302</b>
Cushion liner, beige	<b>801100401</b>	<b>801100402</b>

Options:

3 mm Uniform (pic.1)

6 mm Tapered (pic.2)

3+6 mm Contoured (pic.3)

9 mm Contoured

(only available in cushion, thick bottom, pic.4)

Thick bottom

Thin bottom

Full matrix, recommended for AK prosthetic users

### IMPORTANT INFORMATION

- Provide us with a positive plaster cast
- Make sure that the cast is 50 mm longer than the requested length of the liner
- The cast should be reduced approx. 4 - 6% on circumferential measurements
- Please state if and where you need extra cushion or other custom solutions to your liner
- Please mark the following on the cast
  - Side
  - Requested length



Pic.1



Pic.2



Pic.3



Pic.4

Instructions (sensitive areas etc.):



# ComforGel Prosthetic Sock



## Product Features

- Special gel formulation enclosed between two layers of cotton stretch fabric
- Toe is nylon reinforced for added strenght
- Absorbs vibration and shock
- Conforms to irregular shapes and sizes



## Ordering information

DESCRIPTION	SOCK LENGTH	MAX .CIRCUMFERENCE	GEL LENGTH	THICKNESS	PRODUCT NUMBER
Transtibial ComforGel sock	35.5 cm	50 cm	23 cm	3 ply	<b>636000017</b>
Transtibial ComforGel sock	35.5 cm	50 cm	23 cm	5 ply	<b>636000018</b>
Transfemoral ComforGel sock	35.5 cm	66 cm	23 cm	3 ply	<b>636000040</b>
Transfemoral ComforGel sock	35.5 cm	66 cm	23 cm	5 ply	<b>636000041</b>
Child ComforGel sock	20 cm	25 cm	20 cm	3 ply	<b>636000087</b>
Child ComforGel sock	20 cm	25 cm	20 cm	5 ply	<b>636000088</b>
X-Long ComforGel sock	56 cm	50 cm	56 cm	3 ply	<b>636000047</b>
X-Long ComforGel sock	56 cm	50 cm	56 cm	5 ply	<b>636000048</b>
ComforGel sock with 3S Hole	35.5 cm	50 cm	23 cm	3 ply	<b>636000067</b>
ComforGel sock with 3S Hole	35.5 cm	50 cm	23 cm	5 ply	<b>636000068</b>

# Prosthetic Sheet



## Product Features

- Made of 70% nylon and 30% polyester, white
- Reinforced toe for greater wear resistance
- Unique open mesh design that stretches to conform to shape while allowing for needed ventilation



## Ordering information

DESCRIPTION	LENGTH	PRODUCT NUMBER
Transtibial, Short	25 - 35 cm	<b>636000003</b>
Transtibial, Medium	40 - 50 cm	<b>636000004</b>
Transtibial, Long	56 - 66 cm	<b>636000005</b>





# Knees

## Specification symbols

SE Manufactured in Sweden

US Manufactured in USA

JP Manufactured in Japan

TW Manufactured in Taiwan

TT Transtibial

TF Transfemoral



# All - Terrain Knee

- K1
- K2
- K3
- K4
- TF
- US

## Specifications

Functional Level: K1-K4

Tube Clamp (mm): 30

Flexion: 150°

Mount: Pyramid Adapter/Threaded Top

## Product Features

- Superior stability to traditional polycentric designs via the patented AutoLock Technology.
- Friction swing phase control via the patent-pending Variable Cadence Controller.



## Ordering information

DESCRIPTION	BUILD HEIGHT (MM)	MAXIMUM PATIENT WEIGHT (KG)	WEIGHT (G)	HEIGHT (MM)	FITTED HEIGHT (MM)	SKU
All-Terrain Knee	24	125	1,040	186	125	<b>ATK-PA-01</b>
All-Terrain Knee Stance Flexion	40	125	1,230	201	141	<b>ATK-SF-01</b>
All-Terrain Knee Threades Top	17	125	1,045	179	125	<b>ATK-TT-01</b>



# All - Terrain Knee Premium

- K1
- K2
- K3
- K4
- TF
- US

## Specifications

Functional Level: K1-K4

Tube Clamp (mm): 30

Flexion: 150°

Mount: Pyramid Adapter/Threaded Top

## Product Features

- Waterproof and corrosion resistant. Submersible in fresh or salt water.
- Superior stability to traditional polycentric designs via the patented AutoLock Technology.



Stance Flexion

## Ordering information

DESCRIPTION	BUILD HEIGHT (MM)	MAXIMUM PATIENT WEIGHT (KG)	WEIGHT (G)	HEIGHT (MM)	FITTED HEIGHT (MM)	SKU
All-Terrain Knee Premium	24	150	1,044	186	125	<b>ATK-PA-02</b>
All-Terrain Knee Premium Stance Flexion	40	150	1,234	201	141	<b>ATK-SF-02</b>
All-Terrain Knee Premium Threades Top	17	150	1,049	179	125	<b>ATK-TT-02</b>
All-Terrain Knee HD Premium	24	200	1,044	186	125	<b>ATK-PA-03</b>
All-Terrain Knee Premium HD Stance Flexion	40	200	1,234	201	141	<b>ATK-SF-03</b>
All-Terrain Knee Premium HD Threaded Top	17	200	1,049	179	125	<b>ATK-TT-03</b>

# ATK HydraPro

- K1
- K2
- K3
- K4
- TF
- US

## Specifications

Functional Level: K3-K4

Tube Clamp (mm): 30

Flexion: 150°

Mount: Pyramid Adapter/Threaded Top

## Product Features

- Waterproof and corrosion resistant. Submersible in fresh or salt water.
- Superior stability to traditional polycentric designs via the patented AutoLock Technology.



Stance Flexion

## Ordering information

DESCRIPTION	BUILD HEIGHT (MM)	MAXIMUM PATIENT WEIGHT (KG)	WEIGHT (G)	HEIGHT (MM)	SKU
ATK HydraPro	24	150	1,052	186	<b>HYD-PA-02</b>
ATK HydraPro Stance Flexion	40	150	1,242	201	<b>HYD-SF-02</b>
ATK HydraPro Threaded Top	24	150	1,057	179	<b>HYD-TT-02</b>
ATK HydraPro HD	24	200	1,052	186	<b>HYD-PA-03</b>
ATK HydraPro HD Stance Flexion	40	200	1,242	201	<b>HYD-SF-03</b>
ATK HydraPro HD Threaded Top	24	200	1,057	179	<b>HYD-TT-03</b>



# 4-bar KD knee

- K2**
- K3**
- TF**
- TW**

## Specifications

- Weight limit: 220 lbs. (100 kg)
- Product weight: 32 oz. (910g)
- System Height: 8.3 in. (210 mm)
- Flexion: 140°
- Material: Aluminum Alloy
- Warranty: 24 month



## Product Features

- 4-bar disarticulation knee
- Adjustable extension assist for swing phase control
- 4-hole/center bolt proximally, 30 mm tube clamp distally

## Ordering information

DESCRIPTION	PRODUCT NUMBER
4-bar KD Knee	<b>689000023</b>

## Attachments

### Adjustable Pyramid Adapter

- Material: Aluminum alloy
- Weight: 100 g
- Thread: M6



689000244

### L-Bracket with Extension

- Material: Aluminum alloy
- Weight: 105 g



689000310

## Ordering information

DESCRIPTION	PRODUCT NUMBER
Adjustable Pyramid Adapter	<b>689000244</b>
L-Bracket, aluminum	<b>689000308</b>
Knee Cap, weight 43 g	<b>689000414</b>

# Endurance Hydraulic 160 Knee System

K2
K3
TF
US

## Specifications

Weight limit: 300 lbs. (136 kg)

Product weight: 2.5 lbs. (1134 g)

Flexion: 110°

Warranty: 12 month







## Product Features

- Shorter 160mm hydraulic unit
- Swing and stance hydraulic control
- A-P stability adjustment
- Standard stance phase hydraulic control
- Adjustable yield rate
- Proximal attachments sold separately (each)



## Ordering information

DESCRIPTION	PRODUCT NUMBER
Endurance 160 Knee System	<b>62041</b>
<b>SPARE PARTS:</b>	
62042 - Endurance 160 Hydraulic Unit	
62206 - Mounting Kit (Not Pictured)	
62122 - Endurance 160 Knee Frame, with Proximal Adjustment Screw	
62208 - Knee Cap	

DESCRIPTION	PRODUCT NUMBER
Mounting Kit for Ossur Gaitmaster Low Profile and Other 160 Size Frames	<b>62206</b>

## ATTACHMENT CHOICES

DESCRIPTION	PRODUCT NUMBER
Threaded Adapter, Female Dovetail, Lock Screws	<b>62203</b>
4-Hole Plate, Female Dovetail, Lock Screws	<b>62204</b>
Pyramid, Female Dovetail, Lock Screws	<b>62205</b>
4-Hole Pyramid Adapter, with Through Hole, Titanium, Lock Screws	<b>60254</b>
4-Hole Pyramid Adapter, Stainless Steel, Lock Screws	<b>60416</b>



62204



60254



62203



62205



60416



# Hydraulic Control

K2

K3

TF

US

## Product Features

- Designed to emulate natural gait
- Programs flexion and extension through specially engineered ports
- Automatic adjustment for cadence, correct heel rise, and terminal impact
- Also available for knee disarticulation setups
- Independently adjustable flexion and extension resistance



## Ordering information

DESCRIPTION	PRODUCT NUMBER
Dupaco Control	52211
Dupaco Control, Multiplex (Fits Entegra Frame)	70465

# Spectrum EX 4-Bar Pneumatic Knee



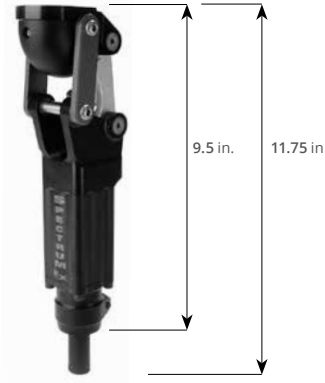
## Specifications

Weight limit: 300 lbs

Product weight: 28 oz. (794 g)

Flexion: 160°

Warranty: 12 months



## Product Features

- Improves patient control through link geometry
- Adjustable knee stability
- Easy “glide-flex” action
- Choice of proximal attachments (one required)
- Enhanced pneumatic control system
- Four easily interchangeable springs provide adjustable extension assist

## Ordering information

DESCRIPTION	ABOVE KNEE CENTER	OVERALL ABOVE KNEE CENTER	WEIGHT	PRODUCT NUMBER
Spectrum 4-Bar Pneumatic Knee	9/16" (14 mm)	9/16" (14 mm)	28 oz. (794 g)	<b>61245</b>
Knee Pad	-	-	-	<b>61240</b>
Knee Pad Screw (1 Each)	-	-	-	<b>61242</b>
Side Knee Pad Screws (2 Each)	-	-	-	<b>61243</b>

## PROXIMAL ADAPTER COMPONENTS

DESCRIPTION	ABOVE KNEE CENTER	OVERALL ABOVE KNEE CENTER	WEIGHT	PRODUCT NUMBER
Pyramid Adapter, with Bolt	13/16" (20 mm)	1-5/16" (26 mm)	1.5 oz. (42 g)	<b>61338</b>
Bolt, M10x40mm	-	-	-	<b>58607</b>
Slide Adapter, with Bolt	13/16" (20 mm)	1 1/8" (26 mm)	2.1 oz. (60 g)	<b>61337</b>
Bolt, M10x28mm	-	-	-	<b>61570</b>
Threaded Adapter, with Bolt	7/8" (22 mm)	1-1/16" (25 mm)	1.7 oz. (50 g)	<b>61341</b>
Bolt, M10x35mm	-	-	-	<b>61339</b>
4-Hole Adapter, with Bolt	7/8" (22 mm)	7/8" (22 mm)	1.9 oz. (56 g)	<b>61336</b>
Bolt, M10x25mm	-	-	-	<b>61246</b>



61336



61341



61338



61337



# Weight Activated Locking Knee (W.A.L.K.)

K2
K3
TF
US

## Specifications

**Weight limit:** Titanium - 300 lbs. (136 kg)  
Aluminum - 220 lbs. (100 kg)

**Product weight:** Titanium - 12 oz. (350g)  
Aluminium - 11.4 oz. (316g)

**Build height:** 2" (51 mm)

**Flexion:** 145°

**Warranty:** 12 month



## Product Features

- Brakes on weight bearing for extra degree of stability
- Independent friction and stabilizing sensitivity adjustments
- Includes patella cover and adjustable extension assist

## Ordering information

DESCRIPTION	PRODUCT NUMBER
W.A.L.K. Titanium	60794
W.A.L.K. Aluminum	60785

## COMPONENTS FOR W.A.L.K

DESCRIPTION	PRODUCT NUMBER
Extension Assist Kit	60825
Patella	60709



# Single Axis Friction Knee (S.A.F.K.)

K2
K3
TF
US

## Specifications

**Weight limit:** Titanium - 300 lbs. (136 kg)  
 Aluminum - 220 lbs. (100 kg)

**Product weight:** Titanium - 12 oz. (350g)  
 Aluminium - 11.4 oz. (316g)

**Build height:** 2 in. (51 mm)

**Flexion:** 145°

**Warranty:** 12 month



## Product Features

- Brakes on weight bearing for extra degree of stability
- Independent friction and stabilizing sensitivity adjustments
- Includes patella cover and adjustable extension assist

## Ordering information

DESCRIPTION	PRODUCT NUMBER
S.A.F.K. Titanium	60821
S.A.F.K. Aluminum	60823

### COMPONENTS FOR S.A.F.K

DESCRIPTION	PRODUCT NUMBER
Extension Assist Kit	60825
Patella	60709



# Single Axis Locking Knee (S.A.L.K.)

K2

TF

US

## Specifications

**Weight limit:** 300 lbs. (136 kg)

**Product weight:** 9.3 oz. (264g)

**Build height:** 3.25 in. (82 mm)

**Flexion:** 135°

**Warranty:** 12 month



## Product Features

- Brakes on weight bearing for extra degree of stability
- Independent friction and stabilizing sensitivity adjustments
- Includes patella cover and adjustable extension assist

## Ordering information

DESCRIPTION	PRODUCT NUMBER
S.A.L.K. Aluminum	60471

### COMPONENTS FOR S.A.L.K

DESCRIPTION	PRODUCT NUMBER
Lock Release Assembly	60847
Cable Assembly	61088
Cable Housing Anchor	50427
Cable Housing	56191
Sheath, Knee	60475

# MightyMite® 4-Bar Knee

TT US

## Specifications

**Weight limit:** 132 lbs. (60 kg)

**Product weight:** 9.1 oz. (257.9 g)

**Material:** Aluminum

**Warranty:** 12 month

## Product Features

- Adjustable extension assist
- Standard pediatric 22mm pylon receiver on distal end
- Multiple attachment option
- Permits adapter at Top of Knee

## Ordering information

DESCRIPTION	PRODUCT NUMBER
4-Bar Knee, includes Pyramid Adapter	<b>FC100510</b>
4-Bar Knee, without Proximal Attachment	<b>FC100500</b>

See additional information about MightyMite 4-Bar Knee on page 129





# Cosmetic Solutions

## Specification symbols

**SE** Manufactured in Sweden

**US** Manufactured in USA

**JP** Manufactured in Japan

**TW** Manufactured in Taiwan

**TT** Transtibial

**TF** Transfemoral

# Dream Skin Natural Definition

With the Dream Skin Natural Definition, we take the prosthetic cosmetic cover to the next level. Using a dual layer PVC with added fibers and airbrush technique, the Dream Skin will show a deeper definition and a more natural look. Available in a red and yellow scale with eight colors in each scale, the Dream Skin will come in 16 skin colors covering most skin tones. The Dream Skin is treated with a Micro Coated surface making it more durable and stain resistible compared to a standard PVC cover. Making sure we take our responsibility towards the environment and a sustainable future, the PVC used is free from all heavy metals and phthalates which gives you a skin friendly and fully recyclable product.

## Product Features

Airbrushed dual layer PVC with fibers for natural definition

Skin friendly

Micro Coated for durability, easy cleaning and low friction against clothing

Recyclable - Free from all heavy metals and phthalates

## Warranty

This product has a 6 month warranty against manufacturing defects

## Natural Definition Guide

For your convenience, we made the Natural Definition Guide to help determine which color to choose for your patient.

The Guide consists of two different scales, R and Y (Red and Yellow). Each one has 8 different colors to choose from to cover most skin tones.



Product number

611200003



# Dream Skin Natural Definition



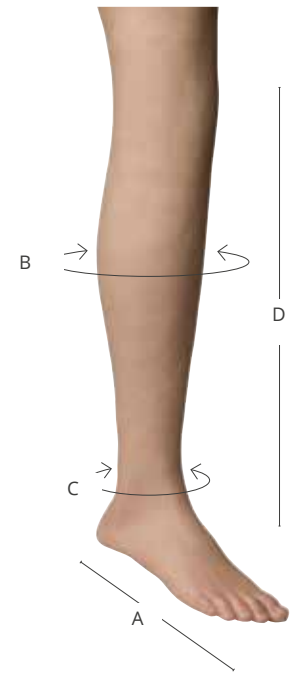
## Specifications

**Warranty:** 6 month

**Durability:** meets ISO 22523

## Product Features

- Airbrushed dual layer PVC with fibers for natural definition
- Good tear resistance
- Micro Coated for durability, easy cleaning and low friction against clothing
- Water resistant
- Recyclable - Free from all heavy metals and phthalates



## Ordering information

### STANDARD

FOOT SIZE (A)	CALF SIZE MIN (B)	ANKLE SIZE MIN (C)	LENGTH (D)	LEFT	RIGHT
21 - 22 cm	12.0 in. (305 mm)	7.5 in. (190 mm)	19.7 in. (500 mm)	<b>421221R/YXX4</b>	<b>421222R/YXX4</b>
23 - 24 cm	12.6 in. (320 mm)	7.9 in. (200 mm)	21.7 in. (550 mm)	<b>423241R/YXX4</b>	<b>423242R/YXX4</b>
25 - 26 cm	13.4 in. (340 mm)	8.2 in. (210 mm)	23.6 in. (600 mm)	<b>425261R/YXX4</b>	<b>425262R/YXX4</b>
27 - 28 cm	14.0 in. (355 mm)	8.5 in. (215 mm)	21.7 in. (550 mm)	<b>427281R/YXX4</b>	<b>427282R/YXX4</b>
29 - 30 cm	14.6 in. (370 mm)	8.7 in. (220 mm)	25.6 in. (650 mm)	<b>429301R/YXX4</b>	<b>429302R/YXX4</b>

### SPLIT-TOE

FOOT SIZE (A)	CALF SIZE MIN (B)	ANKLE SIZE MIN (C)	LENGTH (D)	LEFT	RIGHT
21 - 22 cm	12.0 in. (305 mm)	7.5 in. (190 mm)	19.7 in. (500 mm)	<b>421223R/YXX4</b>	<b>421224R/YXX4</b>
23 - 24 cm	12.6 in. (320 mm)	7.9 in. (200 mm)	21.7 in. (550 mm)	<b>423243R/YXX4</b>	<b>423244R/YXX4</b>
25 - 26 cm	13.4 in. (340 mm)	8.2 in. (210 mm)	23.6 in. (600 mm)	<b>425263R/YXX4</b>	<b>425264R/YXX4</b>
27 - 28 cm	14.0 in. (355 mm)	8.5 in. (215 mm)	21.7 in. (550 mm)	<b>427283R/YXX4</b>	<b>427284R/YXX4</b>
29 - 30 cm	14.6 in. (370 mm)	8.7 in. (220 mm)	25.6 in. (650 mm)	<b>429303R/YXX4</b>	<b>429304R/YXX4</b>

### NATURAL DEFINITION GUIDE

DESCRIPTION	PRODUCT NUMBER
Natural Definition Guide R01-08 / Y01-08	<b>611200003</b>



# Foam Fairings for Transtibial Prosthesis

TT US

## Specifications

**Material:** Closed cell polyethylene foam



## Ordering information

DESCRIPTION	PRODUCT NUMBER
Foam Fairing, Medium Density, 6 x 18 in. (152 x 457 mm)	<b>189112</b>
Foam Fairing, Medium Density, 6 x 21.5 in. (152 x 546 mm)	<b>189116</b>
Foam Fairing, Medium Density, 6 x 24 in. (152 x 605 mm)	<b>189117</b>
Foam Fairing, Medium Density, 6 x 18 in. with Cavity (152 x 457 mm)	<b>189118</b>

# Expanded Pe-Lite™ Leg Covers for Transtibial Prosthesis

TT US

## Product Features

- Suede-like finish
- Durable and easily cleaned
- Shrinks to shape when heated



## Ordering information

SIZE	BASE (A)	BRIM (B)	LENGTH	●	●
Small	7 - 9.5 in. (178 x 241 mm)	9 - 14.5 in. (229 - 368 mm)	20 in. (508 mm)	<b>127788</b>	<b>127794</b>
Medium	7.5 - 11 in. (191 x 279 mm)	11 - 18 in. (279 - 457 mm)	21 in. (533 mm)	<b>127790</b>	<b>127796</b>
Large	9.5 - 12 in. (241 x 305 mm)	13 - 21 in. (330 - 533 mm)	22 in. (559 mm)	<b>127792</b>	<b>127798</b>



# Foam Cover TT Adult



## Product Features

- Closed cell polyethen foam
- Compatible with 30 mm tube



## Ordering information

CALF CIRCUMFERENCE	SIDE	HOLE DIAMETER	LENGTH	PRODUCT NUMBER
480 mm	Left/ Right	80-30 mm	50 cm	<b>721000100</b>



# TT Prosthetic Sock

TT SE

## Product Features

- Made of 100% nylon, tan
- Choose from three lengths
- Available with or without elastic band



## Ordering information

DESCRIPTION	LENGTH	PRODUCT NUMBER
Transtibial, Plain top, Small	56 cm	636000020
Transtibial, Plain top, Medium	64 cm	636000021
Transtibial, Plain top, Large	71 cm	636000022
Transtibial, Elastic top, Small	56 cm	636000027
Transtibial, Elastic top, Medium	64 cm	636000028
Transtibial, Elastic top, Large	71 cm	636000029

# TF Prosthetic Sock

TF SE

## Product Features

- Made of 100% nylon, tan
- Choose from five lengths
- Available with or without elastic band



## Ordering information

DESCRIPTION	LENGTH	PRODUCT NUMBER
Transfemoral, Plain top, X-Small	91 cm	636000030
Transfemoral, Plain top, Small	97 cm	636000031
Transfemoral, Plain top, Medium	102 cm	636000032
Transfemoral, Plain top, Large	107 cm	636000033
Transfemoral, Plain top, X-Large	112 cm	636000034
Transfemoral, Elastic top, X-Small	91 cm	636000035
Transfemoral, Elastic top, Small	97 cm	636000036
Transfemoral, Elastic top, Medium	102 cm	636000037
Transfemoral, Elastic top, Large	107 cm	636000038
Transfemoral, Elastic top, X-Large	112 cm	636000039



# Auxillary Suspension

## Specification symbols

**SE** Manufactured in Sweden

**US** Manufactured in USA

**JP** Manufactured in Japan

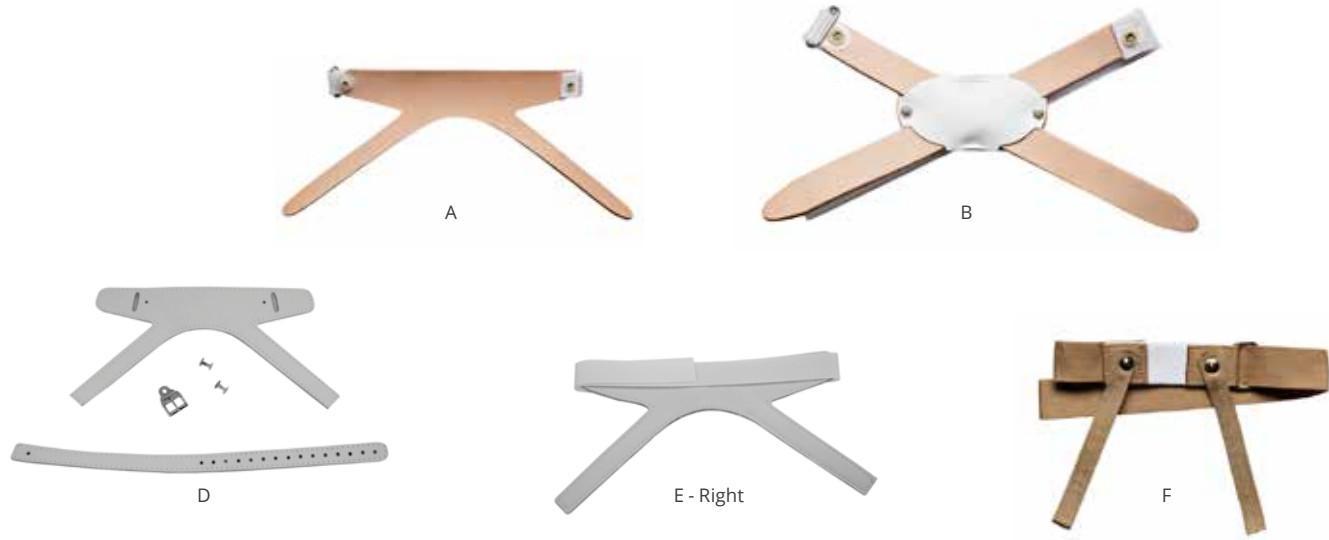
**TW** Manufactured in Taiwan

**TT** Transtibial

**TF** Transfemoral

# PTB Cuff Suspension

TF US



## Ordering information

IMG	DESCRIPTION	MAX CIRCUMFERENCE	LEFT	RIGHT
A	Non-Adjustable with Velcro	-	<b>129122</b>	<b>129114</b>
B	Adjustable Cross with Velcro	-	<b>129106</b>	<b>129098</b>
D	Cuff suspension Strap Kit, Fits Right or Left, Elk, Reinforced with Dacron Webbing, Lined with Cowhide, 0.83 oz. (24 g)	18 in. (457 mm)	<b>129620</b>	<b>129620</b>
E	Elk, Sewn On Velcro Hook and Pile, 0.83 oz. (24 g)	27 in. (686 mm)	<b>129624</b>	<b>129622</b>
F	Pediatric		<b>129630</b>	
	Right Transitional Waist Belt, Circumference 30-44 in. (762 - 1117 mm), Adjustable		<b>129148</b>	
	Left Transitional Waist Belt, Circumference 30-44 in. (762 - 1117 mm), Adjustable		<b>129155</b>	

# Bar Vise Clamp

TT US



## Ordering information

DESCRIPTION	PRODUCT NUMBER
Bar Vise Clamp	<b>127100</b>

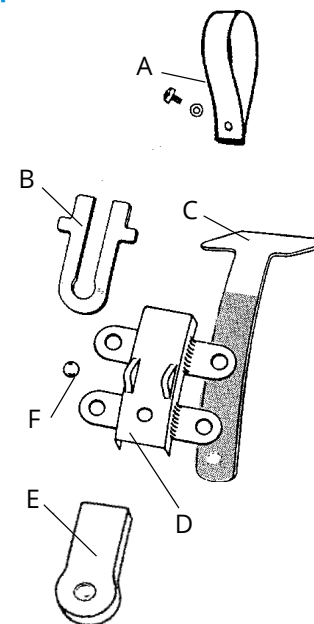


# RMB Bar Channel Assembly for Supracondylar Suspension

TT TF US

## Product Features

- For removable medial brim with transtibial supracondylar suspension



## Ordering information

DESCRIPTION	PRODUCT NUMBER
RMB Bar Channel Assembly	<b>127001</b>
<b>SPARE PARTS:</b>	
A 127050 - Pull strap with screw and washer	E 127043 - Lamination block
B 127561 - Spring, ball retainer	F 127092 - Ball, 1/4
C 127076 - Bar, 1/8 x 3/4, teflon coated	G 810200 - Gauze, 1 inch
D 127027 - Cannel, 1/8 x 3/4	

DESCRIPTION	PRODUCT NUMBER
Heavy Duty RMB Bar Channel Assembly	<b>127019</b>
<b>SPARE PARTS:</b>	
A 127050 - Pull strap with screw and washer	E 127043 - Lamination block
B 127561 - Spring, ball retainer	F 127092 - Ball, 1/4
C 127078 - Bar, 5/32 x 3/4, teflon coated	G 810200 - Gauze, 1 inch
D 127035 - Cannel, heavy duty, 5/32 x 3/4	

# Femoral Plastisol Condylar Wedges

TT US

## Product Features

- For transtibial supracondylar suspension
- Flexible silicone



## Ordering information

SIZE	WIDTH	THICKNESS	PRODUCT NUMBER
Small	Regular, 2 3/4 in.	5/8 in.	<b>127522</b>
Small	Extra thick, 2 3/4 in.	3/4 in.	<b>127530</b>
Medium	Regular, 3 1/4 in.	3/4 in.	<b>127548</b>
Medium	Extra thick, 3 1/4 in.	7/8 in.	<b>127555</b>
Medium	X-Extra thick, 3 1/4 in.	1 in.	<b>127563</b>
Medium	X-Extra thick, with velcro		<b>127556</b>
Large	Regular, 3 1/2 in.	3/4 in.	<b>127571</b>
Large	Extra thick, 3 1/2 in.	1 in.	<b>127597</b>
Large	X-Extra thick, 3 1/2 in.	1 1/8 in.	<b>127589</b>

# Transtibial Waist Belt

TT US

## Product Features

- Adjustable circumference, 30 - 44 in. (76 - 112 cm)



## Ordering information

DESCRIPTION	PRODUCT NUMBER
Transtibial Waist Belt, Right	129148
Transtibial Waist Belt, Left	129155
Inverted Y Strap	209LSE800

# Silesian Belt Kit Transfemoral Belt

TF US



## Ordering information

DESCRIPTION	PRODUCT NUMBER
Silesian Belt Complete, Reversible Right or Left	129130

### INCLUDES:

Webbing Belt with Chafe and D Ring, German Chrome Strap Buckle and Attachment Plate And Screws

# Universal Silesian Belt Kit

US



## Ordering information

DESCRIPTION	PRODUCT NUMBER
Universal Silesian Belt Kit	129125

### INCLUDES:

Velcro, Chafes, and Loops Ready to Be Fitted and Adapted to Individual Patient



# Socket Attachment Plate for Silesian Belt

US



## Ordering information

DESCRIPTION	PRODUCT NUMBER
Socket Attachment Plate	129171

**INCLUDES:**  
Washer and Screw



# Pediatric

## Specification symbols

**SE** Manufactured in Sweden

**US** Manufactured in USA

**JP** Manufactured in Japan

**TW** Manufactured in Taiwan

**TT** Transtibial

**TF** Transfemoral



# AllPro - Pediatric



## Specifications

**Weight limit:** 119 lbs. (54 kg)  
**Heel Height:** 0.4 in. (10 mm)  
**Product weight:** 9.6 oz. (273 g) Size 20, 8 in.  
**Warranty:** 24 month  
**Durability:** meets ISO 22675

## Build Heights

6.0 in. (15.2 cm)  
 8.0 in. (20.3 cm)



## Product Features

- Versatile foot function adapts to all activities
- Industry-leading flexibility provides excellent plantar and dorsiflexion
- Split Toe for multiaxial movement
- Carbon composite design for dynamic response
- Adjustable heel bumpers
- Sandal toe and a pediatric pyramid in size 19 - 21

## Ordering information AllPro Without Foot Shell

- Includes foot, prosthetic sock and instruction manual

- Foot shell ordered separately.

### PRODUCT NUMBER

Replace XX-XX with the correct length and weight details from the table below

MODEL	PRODUCT NUMBER
AllPro Foot, 6 in. pylon	<b>137-106-XX-XX</b>
AllPro Foot, 8 in. pylon	<b>137-108-XX-XX</b>

WEIGHT		SIDE	19 CM	20 CM	21CM
50 - 74 lbs. 23 - 33 kg		Left	<b>19-3A1-L</b>	<b>20-3A1-L</b>	<b>21-3A1-L</b>
		Right	<b>19-3A1-R</b>	<b>20-3A1-R</b>	<b>21-3A1-R</b>
75 - 99 lbs. 34 - 44 kg		Left	<b>19-2A2-L</b>	<b>20-2A1-L</b>	<b>21-2A2-L</b>
		Right	<b>19-2A2-R</b>	<b>20-2A1-R</b>	<b>21-2A2-R</b>
100 - 119 lbs. 45 - 54 kg		Left	<b>19-A2-L</b>	<b>20-A2-L</b>	<b>21-A2-L</b>
		Right	<b>19-A2-R</b>	<b>20-A2-R</b>	<b>21-A2-R</b>

Sizes 19-21 cm are assembled with a pediatric pyramid that is compatible with standard 22 mm pylons and have a sandal toe

## Foot Shell

For foot shells in size 19 - 21 please contact Fillauer



# Pediatric Formula™



## Specifications

Weight limit: 125 lbs. (57 kg)  
 Heel height: 0.4 in. (10 mm)  
 Product weight: 9-11.6 oz (225-330 g)  
 Warranty: 24 month  
 Durability: meets ISO 22675

## Build Height

Size	Build height
16 - 24 cm	1.5 in. (3.8 cm)

## Product Features

- Pylon accommodates growth up to two additional foot plate sizes
- Fits a standard Össur, sandal-toe foot shell
- Posterior mount design provides ideal balance of flexibility and power
- Long, carbon-composite pylon delivers lightweight, dynamic response
- Full-split sandal toe offers maximum multiaxial function

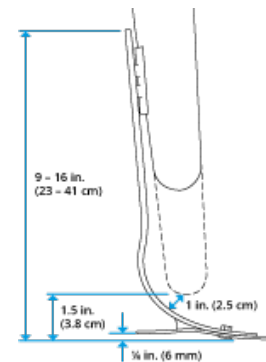
## Custom Product Features

- All the benefits of the standard foot
- Slotted pylon allows up to 1 in. (2,5 cm) of vertical growth
- Simple height adjustment with mounting bracket



## Pylon Selection

PATIENT WEIGHT		STANDARD PYLON	CUSTOM-SLOTTED PYLON
30 - 45 lbs.	14 - 20 kg.	<b>178-120-5A</b>	<b>178-120-5A-C</b>
46 - 60 lbs.	21 - 27 kg.	<b>178-120-4A</b>	<b>178-120-4A-C</b>
61 - 75 lbs.	28 - 34 kg.	<b>178-120-3A</b>	<b>178-120-3A-C</b>
76 - 99 lbs.	35 - 45 kg.	<b>178-120-2A</b>	<b>178-120-2A-C</b>
100 - 125 lbs.	45 - 57 kg.	<b>178-120-A</b>	<b>178-120-A-C</b>



## Foot plate Selection

FOOT SIZE	LEFT	RIGHT
16 cm	<b>178-120-16L</b>	<b>178-120-16R</b>
17 cm	<b>178-120-17L</b>	<b>178-120-17R</b>
18 cm	<b>178-120-18L</b>	<b>178-120-18R</b>
19 cm	<b>178-120-19L</b>	<b>178-120-19R</b>
20 cm	<b>178-120-20L</b>	<b>178-120-20R</b>
21 cm	<b>178-120-21L</b>	<b>178-120-21R</b>
22 cm	<b>178-120-22L</b>	<b>178-120-22R</b>
23 cm	<b>178-120-23L</b>	<b>178-120-23R</b>
24 cm	<b>178-120-24L</b>	<b>178-120-24R</b>

\*The pylon can accommodate up to 2 larger foot sizes.

## Accessories

**180-10-3000** Pediatric Posterior Mounting Bracket (included with custom-slotted pylon)



# Little Feet Wood Core and Symes Models



## Specifications

MEASUREMENTS	WIDTH	HEIGHT	WEIGHT
10 cm	4.7 cm	4.2 cm	96 g
11 cm	5.2 cm	4.2 cm	117 g
12 cm	5.6 cm	5 cm	167 g
13 cm	5.9 cm	5.2 cm	199 g
14 cm	6.2 cm	5.6 cm	238 g
15 cm	6.4 cm	5.6 cm	264 g

## Product Features

- “SACH” type wood core design with flexible toes
- 13 cm model and all symes have fiberglass keel.
- Removable heel plug
- Application: 6-24 months
- Mounting: 5/16”-18 TPI x 2 inch bolt with steel washer and T-nut (all models), 2 3/4 in. bolt also included with 12 cm model
- “SYMES” model have build Height 1.8 cm

## Ordering Information

### PRODUCT NUMBER - LITTLE FEET

	10CM		11 CM		12 CM	
COLOR	LEFT	RIGHT	LEFT	RIGHT	LEFT	RIGHT
●	LITTLE 10 LT	LITTLE 10 RT	LITTLE 11 LT	LITTLE 11 RT	LITTLE 12 LT	LITTLE 12 RT
●	LITTLE 10 LMB	LITTLE 10 RMB	LITTLE 11 LMB	LITTLE 11 RMB	LITTLE 12 LMB	LITTLE 12 RMB
●	LITTLE 10 LDK	LITTLE 10 RDK	LITTLE 11 LDK	LITTLE 11 RDK	LITTLE 12 LDK	LITTLE 12 RDK

	13CM		14CM		15 CM	
COLOR	LEFT	RIGHT	LEFT	RIGHT	LEFT	RIGHT
●	LITTLE 13 LT	LITTLE 13 RT	LITTLE 14 LT	LITTLE 14 RT	LITTLE 15 LT	LITTLE 15 RT
●	LITTLE 13 LMB	LITTLE 13 RMB	LITTLE 14 LMB	LITTLE 14 RMB	LITTLE 15 LMB	LITTLE 15 RMB
●	LITTLE 13 LDK	LITTLE 13 RDK	LITTLE 14 LDK	LITTLE 14 RDK	LITTLE 15 LDK	LITTLE 15 RDK

### PRODUCT NUMBER - SYMES LITTLE FEET

	10CM		11 CM		12 CM	
COLOR	LEFT	RIGHT	LEFT	RIGHT	LEFT	RIGHT
●	LITTLE 10 SYMES LT	LITTLE 10 SYMES RT	LITTLE 11 SYMES LT	LITTLE 11 SYMES RT	LITTLE 12 SYMES LT	LITTLE 12 SYMES RT
●	LITTLE 10 SYMES LMB	LITTLE 10 SYMES RMB	LITTLE 11 SYMES LMB	LITTLE 11 SYMES RMB	LITTLE 12 SYMES LMB	LITTLE 12 SYMES RMB
●	LITTLE 10 SYMES LDK	LITTLE 10 SYMES RDK	LITTLE 11 SYMES LDK	LITTLE 11 SYMES RDK	LITTLE 12 SYMES LDK	LITTLE 12 SYMES RDK

	13CM		14CM		15 CM	
COLOR	LEFT	RIGHT	LEFT	RIGHT	LEFT	RIGHT
●	LITTLE 13 SYMES LT	LITTLE 13 SYMES RT	LITTLE 14 SYMES LT	LITTLE 14 SYMES RT	LITTLE 15 SYMES LT	LITTLE 15 SYMES RT
●	LITTLE 13 SYMES LMB	LITTLE 13 SYMES RMB	LITTLE 14 SYMES LMB	LITTLE 14 SYMES RMB	LITTLE 15 SYMES LMB	LITTLE 15 SYMES RMB
●	LITTLE 13 SYMES LDK	LITTLE 13 SYMES RDK	LITTLE 14 SYMES LDK	LITTLE 14 SYMES RDK	LITTLE 15 SYMES LDK	LITTLE 15 SYMES RDK

# MightyMite® SACH Growth Compensation Spacer

TT
US

## Specifications

Weight limit: 132 lbs. (60 kg)

Product weight: 0.7 oz. (21 g)

Height: 0.25 in. (6.35 mm)



FC100104

## Ordering information

### MIGHTYMITE® SACH GROWTH COMPENSATION SPACER - WITH LOCK WASHER

DESCRIPTION	PRODUCT NUMBER
SACH Foot Growth Compensation Spacer	<b>FC100104</b>

### SPARE PARTS

880 710 - Lock Washer, 3/8" Zinc Plated Steel, 2 Each

### MIGHTYMITE® SACH GROWTH COMPENSATION SPACER - WITHOUT LOCK WASHER

DESCRIPTION	PRODUCT NUMBER
SACH Foot Growth Compensation Spacer	<b>FC100108</b>



# Pediatric Pneumatic 4-bar Knee

- K2
- K3
- TF
- TW

## Specifications

- Weight limit: 130 lbs. (60 kg)
- Product weight: 18.7 oz. (530 g)
- System Height: 6.7 in. (170 mm)
- Flexion: 155°
- Tube Diameter: 22 mm
- Material: Aluminum Alloy
- Warranty: 24 month



## Product Features

- Designed for AK and knee-disarticulation amputee
- Adjustable extension assist for swing phase control
- Compatible with 22 mm pylon system

## Ordering information

DESCRIPTION	PRODUCT NUMBER
Pediatric Pneumatic 4-bar Knee	<b>68900056</b>

# Attachments

## Specifications: Child Socket Adapter w. Male Pyramid

- Material: Aluminum alloy, Stainless Steel
- Weight: 90 g



## Specifications: Child L-Bracket

- Material: Aluminum, Stainless Steel
- Weight: 45 g



## Ordering information

DESCRIPTION	PRODUCT NUMBER
Socket Adapter w. male pyramid, 3/8" bolt	<b>689000245</b>
L-Bracket, aluminum	<b>689000309</b>
L-Bracket, stainless steel	<b>689000310</b>
Knee Cap, weight 55 g	<b>689000414</b>

# MightyMite® 4-Bar Knee

TT

US

## Specifications

- Weight limit:** 132 lbs. (60 kg)
- Product weight:** 9.1 oz. (257.9 g)
- Material:** Aluminum
- Warranty:** 12 month

## Product Features

- Adjustable extension assist
- Standard pediatric 22mm pylon receiver on distal end
- Multiple proximal attachment options
- Permits adapter rotation at Top of Knee



## Ordering information

DESCRIPTION	PRODUCT NUMBER
4-Bar Knee, Includes Pyramid Adapter	<b>FC100510</b>
4-Bar Knee, without Proximal Attachment	<b>FC100500</b>

# MightyMite® 4-Bar Knee Proximal Attachments

TT

US

## Specifications

- Weight limit:** 132 lbs. (60 kg)
- Material:** Aluminum

## Ordering information

DESCRIPTION	PRODUCT NUMBER
Pyramid Adapter (Titanium Pyramid)	<b>FC100501</b>
Slide Adapter	<b>FC100502</b>
4-Hole Adapter	<b>FC100503</b>
Threaded Adapter	<b>FC100504</b>
4-Hole Plate with Male Dovetail	<b>FC100505</b>



FC100501



FC100502



FC100503



FC100504



FC100505



# MightyMite® 22 mm Pylons

TT

TF

US

## Ordering information

Note: Titanium Pyramid Receiver recommended for high activity users

### PYLON TUBES

DESCRIPTION	WEIGHT	WEIGHT LIMIT	PRODUCT NUMBER
Pylon Tube Aluminium - 22 x 300 mm	4.1 oz. (117 g)	99 lbs. (45 kg)	<b>FC100140</b>
Pylon Tube Alloy Steel - 22 x 400 mm	8.0 oz. (227 g)	132 lbs. (60 kg)	<b>FC100142</b>

### INTEGRATED TUBES

DESCRIPTION	RECEIVER	WEIGHT	WEIGHT LIMIT	PRODUCT NUMBER
Integrated 22 mm Pylon Alloy Steel	Medium Titanium Pyramid Receiver (22 mm)	9.3 oz. (263 g)	132 lbs. (60 kg)	<b>FC100119</b>
	Medium Pyramid Receiver (22 mm)	9.3 oz. (263 g)	132 lbs. (60 kg)	<b>FC100120</b>
	Adult Pyramid Receiver (30 mm)	9.3 oz. (263 g)	132 lbs. (60 kg)	<b>FC100121</b>
Integrated 22 mm Pylon Aluminium	Medium Pyramid Receiver (22 mm)	5.4 oz. (153 g)	99 lbs. (45 kg)	<b>FC100118</b>



### SPARE PARTS:

882608 - Set Screw, M6x1x12 Alloy Flat Point, 4 Each

### ALSO REQUIRED

DESCRIPTION	PRODUCT NUMBER
Tubing Cutter	<b>220310</b>
Heavy Duty Replacement Wheel	<b>220311</b>
Heavy Duty Replacement Wheel (For Rigid Cutter)	<b>220312</b>

# MightyMite® BK Tube Clamp

TT
US

## Specifications

Weight limit: 132 lbs. (60 kg)

Diameter: 22 mm



## Ordering information

DESCRIPTION	WEIGHT	PRODUCT NUMBER
Tube Clamp, Aluminum	1.6 oz. (45 g)	<b>FC100122</b>
Tube Clamp, Titanium	1.6 oz. (46 g)	<b>FC100123</b>

### SPARE PARTS

882608 - Set Screw, M6x1x12 Alloy Flat Point, 4 Each

882418 - Screw, M4x.7x14 Alloy Socket Head Cap Screw, 1 Each

# MightyMite® 4-Hole Plate with Male Dovetail

TT
US

## Specifications

Weight limit: 132 lbs. (60 kg)

## Product Features

- Adapts proximal Spectrum attachment to pediatric 4-hole pattern
- Also fits other Spectrum alignment system components



## Ordering information

DESCRIPTION	PRODUCT NUMBER
4-Hole Plate, with Male Dovetail	<b>FC100505</b>



# Ankle Adapter

TT

SE



## Specifications

Weight limit: 132 lbs (60kg)

M8 Bolt

For 22 mm Tube

## Ordering information

DESCRIPTION	PRODUCT NUMBER
Ankle Adapter, with Angle Adjustment	731000004

# MightyMite® Alignment Adapter

TT

US



## Ordering information

DESCRIPTION	PRODUCT NUMBER
Alignment Adapter	FC100160

Feet

Alignment

Adapters

Valves

Locks

Sleeves & Liners

Knees

Cosmetic Solutions

Auxiliary Suspension

Pediatric



# MightyMite® BK Socket Adapter

TT US

## Specifications

Weight limit: 132 lbs. (60 kg)

Product weight: 1.36 oz. (38.5 g)

## Ordering information



DESCRIPTION	PRODUCT NUMBER
BK Socket Adapter, with Medium Titanium Pyramid	<b>FC100152</b>
<b>SPARE PARTS</b>	
122053 - BK Adapter Lamination Cap	

# MightyMite® 4-Hole Adapter

TT US

## Specifications

Weight limit: 132 lbs. (60 kg)

Product weight: 1.36 oz. (38.5 g)

## Ordering information



DESCRIPTION	PRODUCT NUMBER
4-Hole Adapter, with Medium Titanium Pyramid, Pediatric 4-Hole Pattern	<b>FC100114</b>

# MightyMite® Rotatable Pyramid Receiver

TT US

## Ordering information



FC100134

DESCRIPTION	WEIGHT LIMIT	WEIGHT	PRODUCT NUMBER
Rotatable Medium Pyramid Receiver	132 lbs. (60 kg)	0.93 oz. (26.5 g)	<b>FC100134</b>
<b>SPARE PARTS:</b>			
882608 - Set Screw, M6x1x12 Alloy Flat Point, 4 Each			



# MightyMite® 4-Hole Adapter with Rotation

TT US

## Specifications

Weight limit: 132 lbs. (60 kg) - low activity

Product weight: 0.88 oz. (25 g)



## Ordering information

DESCRIPTION	PRODUCT NUMBER
Pediatric 4-Hole Adapter, with Rotation	<b>FC100132</b>

**SPARE PARTS**

882418 - Screw, M4x.7x14 Alloy Socket Head Cap Screw, 1 Each

**NOTE: PURCHASE 4-HOLE SOCKET ADAPTER WITH ANY OF THE FOLLOWING ADAPTERS:**

DESCRIPTION	PRODUCT NUMBER
Rotatable Pyramid Receiver, Medium Pyramid	<b>FC100134</b>
MightyMite® 4-Bar Knee Threaded Adapter	<b>FC100504</b>
4 Hole Spacers - 0.25 in. (6.35 mm)	<b>FC100106</b>
4 Hole Spacers - 0.5 in. (12.7 mm)	<b>FC100108</b>

# MightyMite® AK Socket Adapter

TT US

## Specifications

Weight limit: 132 lbs. (60 kg)

Product weight: 2.5 oz. (70 g)



## Ordering information

DESCRIPTION	PRODUCT NUMBER
AK Socket Adapter, with Rotation	<b>FC100130</b>

**SPARE PARTS**

882418 - Screw, M4x.7x14 Alloy Socket Head Cap Screw, 1 Each

122033 - AK Adapter Lamination Dummy

# MiniShock



## Specifications

**Weight limit:** 132 lbs. (60 kg)  
**Product weight:** 4.6 oz. (130 g)  
**Build height:** 2.38 in. (60 mm)  
**Warranty:** 12 month  
**Durability:** meets 10328

## Product Features

- Minimum clearance
- 0.4 in. (10mm) vertical shock
- 60° of axial rotation (30° in each direction)
- Adapts to 22 mm base components



## Ordering information

### PYRAMID RECIEVER

DESCRIPTION	PRODUCT NUMBER
MiniShock	MS001SS

NOTE: Weights are a suggested guide for torque and shock performance. Individual preference and performance will vary. The dampening ring included with each pylon is used to reduce the amount of rotation and vertical compression.



# MightyMite® Shuttle Lock with Cylindrical Housing

TT US

## Specifications

**Weight limit:** 132 lbs. (60 kg)      **Material:** Delrin  
**Product Weight:** 2.79 oz. (79 g)      **Warranty:** 12 months  
**Build Height:** 1 in. (25 mm)



## Ordering information

DESCRIPTION	PRODUCT NUMBER
Cylindrical Housing Shuttle Lock, without Plunger	<b>FC100204</b>

SPARE PARTS	
122104 - Cylindrical Housing, Upper	809729 - Latch Pin
122105 - Cylindrical Housing, Lower	809775 - Latch Pin Button
809784 - Button Shield	809773 - Guide Screw
809810 - Shuttle Lock Body, Small	880033 - 5/16-18 x 3" Socket Head Set Screw
809760 - Compression Spring	880271 - M5 x .8x18 Flat Head Socket Cap
809816 - Shuttle Lock	882510 - M5 x .8x18 Socket Head Cap Screw
809820 - Housing	809830 - 2" Diameter Housing Adhesive Seal
809784 - Shield	880251 - 4 x 3/8 Stainless Steel Sheet Metal Screw

### SHUTTLE LOCK SUB ASSEMBLY

DESCRIPTION	PRODUCT NUMBER
Shuttle Lock Sub Assembly	<b>809808</b>

SPARE PARTS	
809 810 - Shuttle Body	809 760 - Compression Spring
809 816 - Shuttle Lock	880 033 - 6-32 x 5/16" Socket Head Set Screw

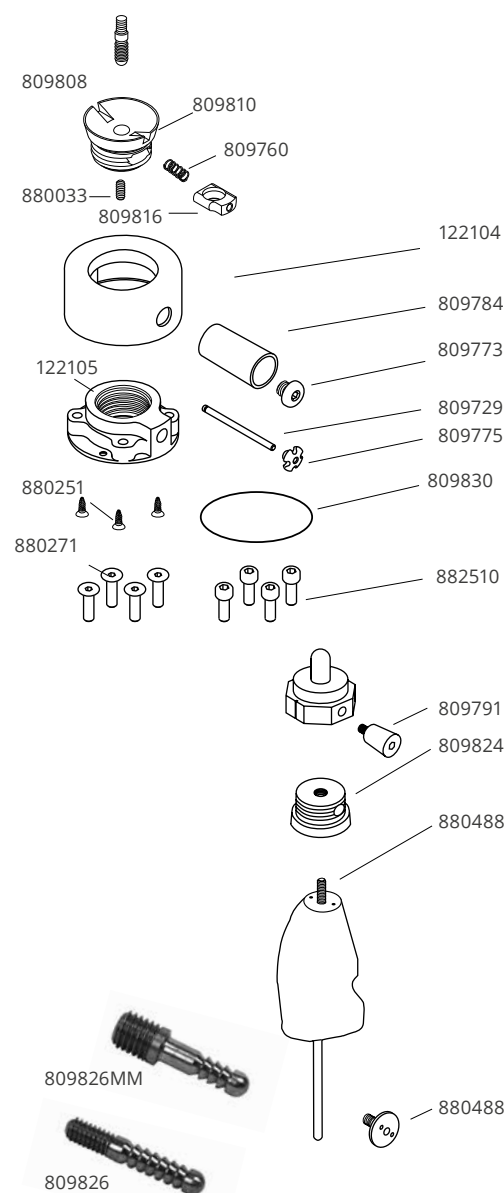
### FABRICATION KIT - THERMOFORMING AND LAMINATION

DESCRIPTION	PRODUCT NUMBER
Fabrication Kit	<b>125420</b>

SPARE PARTS	
809824 - Housing Dummy	809791 - Button Shield Dummy
880488 - 1/4-20 x 2" Socket Head Set Screw	

### PLUNGERS

DESCRIPTION	PRODUCT NUMBER
Plunger, 1.0 in. (25 mm), with 1/4"-20 Thread	<b>809826</b>
Plunger, 1.5 in. (38 mm), with 1/4"-20 Thread	<b>809827</b>
Plunger, 1.0 in. (25 mm), with M10 Thread	<b>809826MM</b>
Plunger, 1.5 in. (38 mm), with M10 Thread	<b>809827MM</b>



# MightyMite® Modular Shuttle Lock with Titanium Pyramid

TT US

## Specifications

Weight limit: 132 lbs. (60 kg)

Material: Titanium pyramid, Aluminum housing

Product Weight: 2.68 oz. (76 g)

Warranty: 12 months

Build Height: 1.25 in. (32 mm)



## Ordering information

DESCRIPTION	PRODUCT NUMBER
Titanium Pyramid Shuttle Lock, without Plunger	<b>FC100202</b>

### SPARE PARTS:

122102 - Housing	809775 - Latch Pin Button
809810 - Shuttle Body	809816 - Shuttle Lock
809784 - Button Shield	809760 - Compression Spring
809773 - Guide Screw	880033 - 6-32 x 5/16 in. Socket Head Set Screw
809729 - Latch Pin	122053 - Lamination Cap

### SHUTTLE LOCK SUB ASSEMBL

DESCRIPTION	PRODUCT NUMBER
Shuttle Lock Sub Assembly	<b>809808</b>

### SPARE PARTS

809810 - Shuttle Body	809760 - Compression Spring
809816 - Shuttle Lock	880033 - 6-32 x 5/16 in. Socket Head Set Screw

### FABRICATION KIT - THERMOFORMING AND LAMINATION

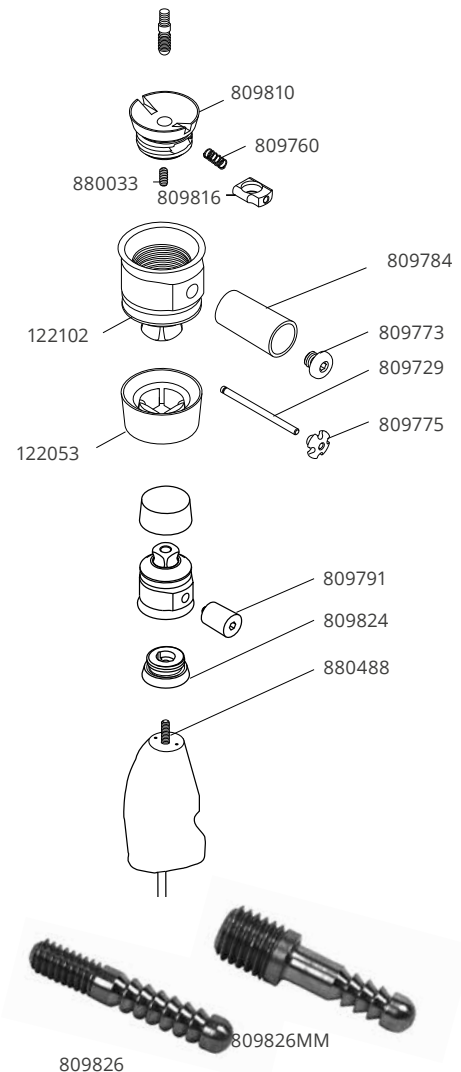
DESCRIPTION	PRODUCT NUMBER
Fabrication kit	<b>125420</b>

### SPARE PARTS:

809824 - Shuttle Body Dummy
809791 - Button Shield Dummy
880488 - 1/4-20 x 2 in. Socket Head Set Screw

### PLUNGERS

DESCRIPTION	PRODUCT NUMBER
Plunger 1.0 in. (25 mm), with 1/4"-20 Thread	<b>809826</b>
Plunger 1.5 in. (38 mm), with 1/4"-20 Thread	<b>809827</b>
Plunger 1.0 in. (25 mm), with M10 Thread	<b>809826MM</b>
Plunger 1.5 in. (38 mm), with M10 Thread	<b>809827MM</b>





# Small Modular Shuttle Lock - with Delrin Housing

TT US

## Specifications

**Weight limit:** None  
**Material:** Delrin  
**Product Weight:** 1.13 oz. (32 g)  
**Warranty:** 12 months  
**Build Height:** 0.87 in. (22 mm)

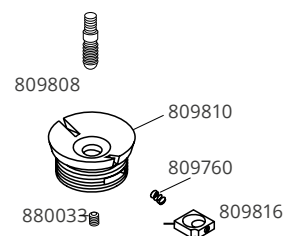


## Ordering information

DESCRIPTION	PRODUCT NUMBER
Small Delrin Shuttle Lock Kit, 1 in. (25 mm) Plunger, 1/4"-20 Thread	<b>125410</b>
Small Delrin Shuttle Lock Kit, 1.5 in. (38 mm) Plunger, 1/4"-20 Thread	<b>125412</b>
Small Delrin Shuttle Lock Kit, 1 in. (25 mm) Plunger, M10 Thread	<b>125410MM</b>
Small Delrin Shuttle Lock Kit, 1.5 in. (38 mm) Plunger, M10 Thread	<b>125412MM</b>

### SPARE PARTS

809810 - Shuttle Lock Body, Small	809729 - Latch Pin
809760 - Compression Spring	809775 - Latch Pin Button
809816 - Shuttle Lock	809773 - Guide Screw
809820 - Housing	880033 - 5/16-18 x 3" Socket Head Set Screw
809784 - Shield	

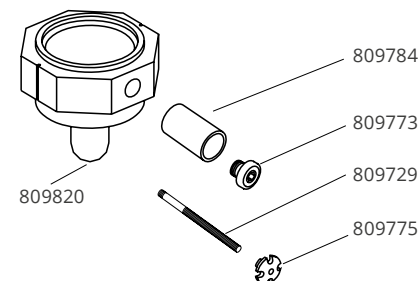


### SHUTTLE LOCK SUB ASSEMBLY

DESCRIPTION	PRODUCT NUMBER
Shuttle Lock Sub Assembly	<b>809808</b>

### SPARE PARTS

809810 - Shuttle Body	809760 - Compression Spring
809816 - Shuttle Lock	880033 - 6-32 x 5/16" Socket Head Set Screw

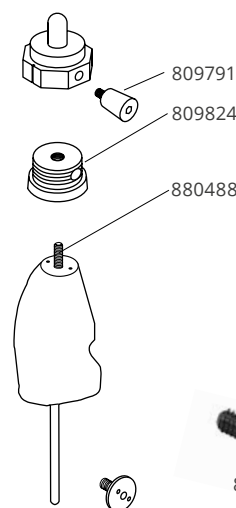


### FABRICATION KIT - THERMOFORMING AND LAMINATION

DESCRIPTION	PRODUCT NUMBER
Fabrication Kit	<b>125420</b>

### SPARE PARTS

809824 - Housing Dummy	809791 - Button Shield Dummy
880488 - 1/4-20 x 2" Socket Head Set Screw	



### SMALL DELRIN PLUNGERS

DESCRIPTION	PRODUCT NUMBER
Plunger, 1.0 in. (25 mm), 1/4"-20 Thread	<b>809826</b>
Plunger, 1.5 in. (38 mm), 1/4"-20 Thread	<b>809827</b>
Plunger, 1.0 in. (25 mm), M10 Thread	<b>809826MM</b>
Plunger, 1.5 in. (38 mm), M10 Thread	<b>809827MM</b>





# Index

4-bar KD knee	84	CTFV Valve	48
Absolute Cushion Liner - No Fabric	76	Cylindrical Lock System	57
Absolute Cushion Liner - Thick Bottom	75	Double Adapter Pyramid Male/ Female	35
Absolute Cushion Liner - Thin Bottom	74	Dream Skin Natural Definition	94
Absolute Locking Liner - Thick Bottom	73	DuraShock Shorty	39
Absolute Locking Liner - Thin Bottom	72	DuraShock with Pylon	38
Absolute Preflexed Sleeve	69	DuraTwist	40
Absolute Straight Sleeve	70	Endurance Hydraulic 160 Knee System	85
Absolute Straight Sleeve - No Fabric	71	Expanded Pe-Lite™ Leg Covers for Transtibial Prosthesis	95
Aeris Performance 2	16	Femoral Plastisol Condylar Wedges	100
Aeris Performance LP	17	Fillauer Product Warranty	6
AllPro - Pediatric	104	Foam Cover TT Adult	96
AllPro - Posterior Mount	11	Foam Fairings for Transtibial Prosthesis	95
AllPro with Direct Mount Pyramid	10	Foot Shell	21
AllPro XTS	12	Formula™	15
All - Terrain Knee	81	For Small Delrin	
All - Terrain Knee Premium	82	Shuttle Lock	65
ALP-AI 4-Hole Adapter	26	Gator Grip Lock - with Cylindrical Housing	60
ALP-AI Kit with Lamination Adapter	24	Gator Grip Lock - with Delrin Housing	59
ALP-AI Kit with Sealed Lamination Adapter	25	Gator Grip Plungers	65
ALP-AI Modular System	24	Gator Grip - with Lock Pyramid Housing	58
ALP-AI Pyramid Female Adapter	26	Hydraulic Control	86
ALP-AI with Sealed Lamination Adapter	25	Ibex XD	18
ALP-Ti Modular System	27	Lamination Fork	32
ALP-Ti Modular System	30	Latch Pins	66
ALP-Ti with Lamination Adapter	27	Little Feet Wood Core and Symes Models	106
ALP-Ti with Lamination Adapter - AK system	30	Lock Device Plungers	
ALP-Ti with Sealed Lamination Adapter	29		65
ALP-Ti with Sealed Lamination Adapter - AK system	31	Locking System Chart	51
ALP-Ti with Small Lamination Adapter	28	MightyMite® 4-Bar Knee	91
Aluminum Tube 30 mm	42	MightyMite® 4-Bar Knee	109
Aluminum Tube with Female Pyramid Adapter	42	MightyMite® 4-Bar Knee Proximal Attachments	109
Ankle Adapter	112	MightyMite® 4-Hole Adapter	113
Ankle Adapter with Angle Adjustment for 30 mm Tube	37	MightyMite® 4-Hole Adapter with Rotation	114
ATK HydraPro	83	MightyMite® 4-Hole Plate with Male Dovetail	111
Attachments	84	MightyMite® 22 mm Pylons	110
Attachments	108	MightyMite® AK Socket Adapter	114
Bar Vise Clamp	99	MightyMite® Alignment Adapter	112
Catalog symbol legend	8	MightyMite® BK Socket Adapter	113
Clutch Lock Plungers	65	MightyMite® BK Tube Clamp	111
Clutch Lock with Cylindrical 4-Hole Housing	63	MightyMite® Modular Shuttle Lock with Titanium Pyramid	117
Clutch Lock - with Delrin Housing	62	MightyMite® Rotatable Pyramid Receiver	113
Clutch Lock - with Titanium Pyramid	61	MightyMite® SACH Growth Compensation Spacer	107
ComforGel Prosthetic Sock	78	MightyMite® Shuttle Lock with Cylindrical Housing	116
CSS-R Valve Kit with String for Vacuum Release	46	MiniShock	39
CSS Valve	45		
CTFV - CSF Valve	48		



MiniShock	115
Modular Shuttle Lock - with 4-Hole Housing	56
Modular Shuttle Lock - with Cylindrical Housing	55
Modular Shuttle Lock - with Delrin Housing	54
Modular Shuttle Lock - with Titanium Pyramid	53
Obsidian DM	
13	
Obsidian PM / Sprint	
14	
Order form	
Custom Made Liner	77
Original Shuttle Lock	52
Pediatric Formula™	105
Pediatric Pneumatic 4-bar Knee	108
ProCover	22
Prosthetic Sheet	78
PTB Cuff Suspension	99
Red Dot Air Expulsion Valve	47
Returns, Adjustments, and Credits	7
RMB Bar Channel Assembly for Supracondylar Suspension	100
SACH Foot Adapter	37
Sealing Washer	32
S.F.S. Valve (Scandinavian Flexible Socket)	49
Shuttle Lock Plungers	65
Shuttle Vac	64
Silesian Belt Kit Transfemoral Belt	101
Single Axis Friction Knee (S.A.F.K.)	89
Single Axis Locking Knee (S.A.L.K.)	90
Slide Adapter	41
Small Modular Shuttle Lock - with Delrin Housing	118
Socket Attachment Plate for Silesian Belt	102
Spectrum EX 4-Bar Pneumatic Knee	87
TF Prosthetic Sock	97
Tool Kit and Accessories for S.F.S. Valve	49
Torsion Adapter	41
Transtibial Waist Belt	101
TT Prosthetic Sock	97
Tube Clamp Adapter for 30 mm Tube	34
Tube Clamp Adapter for 30 mm Tube	34
Universal Silesian Belt Kit	101
Wave Comfort 3	19
Weight Activated Locking Knee (W.A.L.K.)	88
XD Heavy Duty 4-Prong Adapter	36
XD Heavy Duty Tube 34 mm	43
XD Heavy Tube Clamp Adapter for 34 mm Tube	35



Feet

Alignment

Adapters

Valves

Locks

Sleeves & Liners

Knees

Cosmetic Solutions

Auxiliary Suspension

Pediatric





Feet

Alignment

Adapters

Valves

Locks

Sleeves & Liners

Knees

Cosmetic Solutions

Auxiliary Suspension

Pediatric