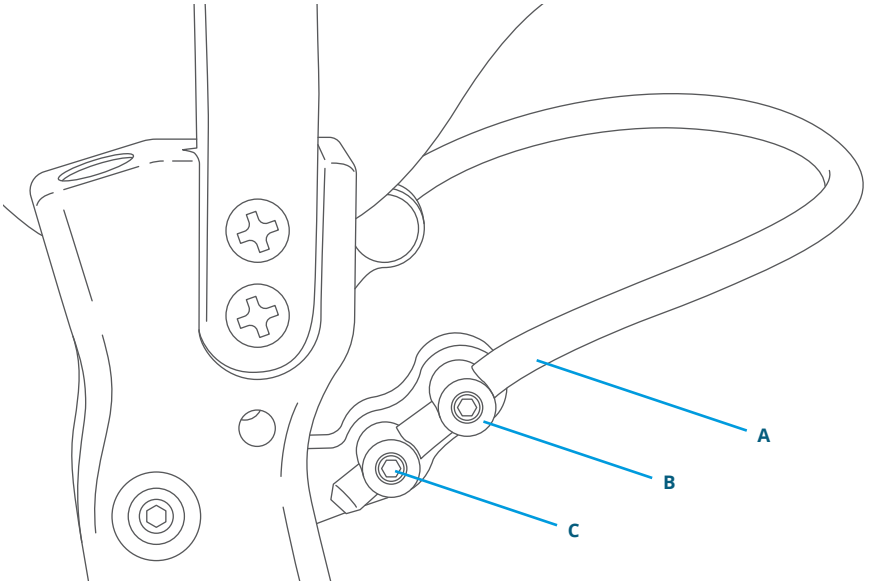


RBK Instructions

1. Shape rod **(A)** for proper clearance around the back of the knee.
2. Insert the attachment pins **(B)** through the handle.
3. Insert the rod **(A)** through both attachment pins **(B)** on each joint.
4. Tighten the set screws **(C)**.
5. Use threadlocker to hold set screws in place.



Fillauer®

www.fillauer.com

Fillauer LLC



2710 Amnicola Highway
Chattanooga, TN 37406
423.624.0946



Fillauer Europe

Kung Hans väg 2
192 68 Sollentuna, Sweden
+46 (0)8 505 332 00



© 2023 Fillauer LLC
PM383/01-20-23/Rev.1