

Order form - RGO Module / Pelvic section only

E-mail: order@fillauer.com
Phone: +46 8 505 332 00

All modules made to order - not returnable

Customer: _____

Fillauer's PO #: _____

Ordered by: _____

Patient number: _____

Email: _____

Date: _____

Patient information:

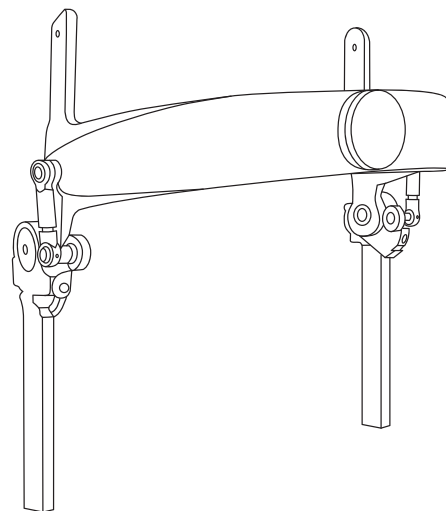
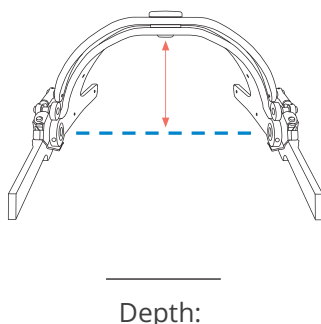
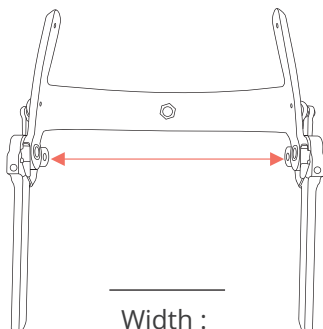
Age: _____ Weight: _____ Height: _____

Activity level: Low Medium High

Base of production:

Module Size: _____ (Available in size 18-42, see chart in catalog)

By individual measurements



Enter desired inner width and depth of pelvic section including extra space for movement, LSO etc.

Components

Type of Reciprocator: Isocentric/Rocker bar
PRODUCT NUMBER: RGP1X

Horizontal cable
PRODUCT NUMBER: RGP2X

Hip joint: Latch knob (patients < 85 lbs. ~ 38 kg)
PRODUCT NUMBER: RGPX1

Push button

Medium (< 175 lbs. ~ 54 kg)
PRODUCT NUMBER: RGPX2

Large (> 175 lbs. ~ 54 kg)
PRODUCT NUMBER: RGPX4

RGO II with abduction

Medium (< 175 lbs. ~ 54 kg)
PRODUCT NUMBER: RGPX3

Large (> 175 lbs. ~ 54 kg)
PRODUCT NUMBER: RGPX5

Additional information / Special instructions: