

*Fillauer*<sup>®</sup>



# Orthotics





# Fillauer®

In 1914, George Fillauer Sr. founded the Red Star Pharmacy in Chattanooga, Tennessee. In 1934, his son and fellow CPO, Carlton Fillauer expanded his father's business to establish Fillauer Orthopedic as an innovator in the orthotics and prosthetics industry. Today, the Fillauer Companies are headed by Karl Fillauer as Chairman and his son Michael as the CEO, since their inception, the Fillauer Companies have always been headed by CPO's, and have grown to be a globally renowned leader in the development, manufacturing, distribution and application of orthotic and prosthetic products. The expansion has mainly taken place by acquisitions of smaller manufacturing companies with a unique profile. Over the years we have become nine companies under the Fillauer umbrella and during the 100 year celebration in 2014 a decision was taken on how the company would be steered into the next century. Therefore a consolidation took place in 2015 where all the companies became Fillauer.

Fillauer Europe was founded as Centri in 1948. Located just outside Stockholm, Sweden, Centri joined the Fillauer Companies 2002. While Centri maintained the close, cooperative relationships it traditionally had with prosthetists in Scandinavia, as Fillauer Europe it has now become the European headquarters of Fillauer. With its extensive portfolio of products, Fillauer Europe is committed to working with prosthetists both in Europe, but also in other regions of the world in order to create only the best solutions for patients with all manner of prosthetic and orthotic needs. In addition, Fillauer Europe plays a lead Research & Development role within Fillauer. Fillauer Europe's products include upper and lower extremity prosthetics and the Dynamic Walk which has catapulted us to the forefront of the drop foot orthotics market. Our R&D department also works in partnership with many of Sweden's leading hospitals to develop innovative and high-tech machinery.



# Index

Fillauer Product Warranty	6
Returns, Adjustments, and Credits	7
Catalog symbol legend	9

## Dynamic Walk

Dynamic Walk - Size Charts	11
Dynamic Walk Standard	11
Dynamic Walk - Standard	13
Dynamic Walk - Wide Ankle	14
Dynamic Walk - Double-Double	15
Dynamic Walk - Wide Ankle Double-Double	16
Dynamic Walk - Single Side Medial	17
Dynamic Walk - Single Side Lateral	18
Dynamic Walk - Shoe Mount	19
Dynamic Walk - Modular	20
Dynamic Walk - Mix & Match	21
Dynamic Walk - Mix & Match	22
Custom Calf Height or Foot Length	22
Dynamic Walk - Custom Made	23

## Orthotic Joints

Modular Integrated Ankle Joint, Double Action	26
Modular Integrated Ankle Joint, Adjustable Range of Motion	26
Integrated Ankle Joint, Double Action	27
Integrated Ankle Joint, Adjustable range of motion	27
Integrated Ankle Joint, Dorsiflexion Assist	28
Split Tail Stirrups	29
Solid Stirrups - Wide Tongue	29
Short Leg Upright - Double Action	30
Short Leg Upright - limited/ free motion	30
Short Leg Upright - Toe Pick Up	31
Ankle Joint - Limited/ Free Motion	32
Ankle Joint - Toe Pick Up	32
Ankle Joint - Double Action	33
Stirrups - Standard	34
Stirrups - Split Tongue	35
Stirrups, Long Tongue & Wide Tongue	36
Rectangle Caliper Plates	37
Insert Stirrup For Plastic Orthotics	37
Polycar-C™ Ankle Inserts	38
Dorsiflexion Assist Ankle Joint Kits With Polycar-C	39
PDA Ankle Joint Kits With Polycar-C	40
Steplock®	41
Interlock™	42
Bar Kit	43

2400 Bar Kit	43
Close Contour Pediatric Knee Joint	44
Release Kit SBK	44
Release Kit RBK	44
Release Kit - UBK	45
Lever Release Kit - LRK	45
Close Contour	46
Trigger Release for Camlocks	47
Zippy Quick Release	47
Drop Lock Aluminum Hip Joint Assemblies	48
Drop Lock Aluminum Knee Joint Assemblies	48
Drop Lock Low Profile Aluminum Knee Joint Assemblies	49
Spring Loaded Lever Lift	49

## RGO & IRGO

RGO/IRGO Overview	52
Small Hooped Cable RGO	53
Large Hooped Cable RGO without Abduction	54
Large Hooped Cable RGO with Abduction	55
Hooped Cable RGO Cables and Housings	56
Latch Knob for Small Hooped Cable RGO	57
Push Button for Hooped Cable RGO	57
RGO II System for Hooped Cable RGO with Abduction	58
Small Horizontal Cable RGO	59
Medium Horizontal Cable RGO without Abduction	60
Medium Horizontal Cable RGO with Abduction	61
Large Horizontal Cable RGO without Abduction	62
Large Horizontal Cable RGO with Abduction	63
Horizontal RGO Cables	64
Latch Knob for Small Horizontal Cable and Rocker Bar RGOs	65
Push Button for Horizontal Cable and Rocker Bar RGOs	65
RGO II System for Horizontal Cable and Rocker Bar RGOs	66
Specialty Connectors for ISOCENTRIC® RGO	67
Cable Track Kit	67
Aluminum Pelvic Bands	68
Lower Abduction Bar Assembly	68
Lower Bar Assembly without Abduction	68
Knee Joints	69
Pelvic Bands	69
External Ankle Foot Orthosis (AFOs)	70
Standard In-Shoe Ankle Foot Orthosis (AFO)	70
Gauges	70

## Spinal Braces

Providence Nighttime Brace	72
SCT 3-D Full-time Scoliosis Brace	73

SCT 3D Chêneau (Style) Scoliosis Brace	<b>74</b>	Scottish Rite	<b>104</b>
Full-Time Scoliosis Brace	<b>75</b>	Hip Joint Assemblies, Stainless Steel	
Full-time Scoliosis Brace Module	<b>76</b>	Scottish Rite	<b>104</b>
Kyphosis Brace	<b>77</b>	Component Kits with Telescoping Spreader Bar - Scottish Rite	<b>105</b>
Kyphologic Brace	<b>78</b>	Fixed 25° and 35° Abduction Thrust	
Pectus Brace	<b>79</b>	Bearing Hip Joints - Scottish Rite	<b>106</b>
TLSO/LSO – Single opening	<b>80</b>	Variable Abduction Thrust Bearing	
FlexFoam 1		Hip Joints - Scottish Rite	<b>107</b>
		Pelvic Bands and Thigh Bars	
TLSO/LSO – Single opening	<b>81</b>	Scottish Rite	<b>108</b>
TLSO/LSO – Bivalve opening	<b>82</b>	Telescoping Spreader Bars	
FlexFoam 1		Scottish Rite	<b>108</b>
TLSO/LSO – Bivalve opening	<b>83</b>		
Anterior Overlap (A.O.O) Brace	<b>84</b>		
Anterior Overlap (A.O.O) Module	<b>85</b>		
Spring Steel Strap kit	<b>86</b>		
Spring Steel Stay	<b>86</b>		
Welding Rod	<b>86</b>		
Basic Strap	<b>87</b>		
Chafes with Triangular Body Clasp	<b>87</b>		
Window Gusset (Elastic webbing)	<b>88</b>		
Sub clavicular extension			
“Cow Horns”	<b>88</b>		
Providence Measurement Board			
incl. standard blocks	<b>89</b>		
Extra Blocks (standard)	<b>89</b>		
Pediatric Blocks	<b>90</b>		
M-L stick			
<b>90</b>			

## Insoles

TFC - Thermoformable Composite Insole	<b>92</b>
---------------------------------------	-----------

## PEVA

PEVA Shoe - Open Toe Boots - Firm Heel Cap	<b>94</b>
Clip-On Bar	<b>96</b>
Denis Browne Splint	<b>96</b>
Dobbs Bar	<b>97</b>
Dobbs Bar Spring Assisted Quick Release	<b>97</b>

## Abduction Orthosis

COD SU*PER 3D Hip Joint	<b>100</b>
A.A.O. - Anti-Adduction Orthosis	<b>100</b>
Scottish Rite Kit	<b>101</b>
Thrust Bearing Hip Joint Assemblies	<b>102</b>
Thrust Bearing Hip Joint Components	
Scottish Rite	<b>103</b>
Motion Control Plate and Drop Lock	



# Fillauer Product Warranty

Fillauer items under warranty will be replaced or repaired (at Fillauer's discretion) at no charge, if the material or workmanship is found to be defective. Normal wear is not warranted. The warranty will be void if the item has been: a. fabricated or installed outside Fillauer's recommendations b. modified c. exposed to a corrosive environment d. if used outside of the products intended use. Below is a summary of warranties.

## **ORTHOTIC, PROSTHETIC COMPONENTS AND EQUIPMENT**

are warranted for 12 months from the date of shipment from the Fillauer warehouse or from an authorized Fillauer distributor with the following exceptions:

### **SUSPENSION SLEEVES, SILICONE GLOVES, SPINAL BRACES & CUSTOM LINERS/SLEEVES**

are warranted for 3 months from the date of shipment from the Fillauer warehouse or from an authorized Fillauer distributor.

Custom Fabrication Items, Prosthetic Liners, Dream Skin, Foot Shells, Cosmetic Gloves, Passive Hands and Trautman Tools & Accessories are warranted for 6 months from the date of shipment from the Fillauer warehouse or from an authorized Fillauer distributor.

## **HOSMER HOOKS**

are warranted for 18 months from the date of shipment from the Fillauer warehouse or from an authorized Fillauer distributor.

## **ELBOWS**

are warranted for 18 – 24 months from the date of shipment from the Fillauer warehouse or from an authorized Fillauer distributor. See specific product warranty for more information.

## **FILLAUER FEET**

are warranted for 12, 24, or 36 months

**12 months:** Running Blade

**24 months:** AllPro, K2, Motion Foot® MX, Formula and Raize

**36 months:** Aeris Activity, Aeris Performance 2, Aeris Performance LP, Element, Element DS, Ibex XD, and Wave Comfort 3

## **COAPT & TASKA**

Are warranted for 24 months from the date of shipment from the Fillauer warehouse or from an authorized Fillauer distributor.

**All warranties are voided by alteration or misuse of the product.**

## Returns, Adjustments, and Credits

Inspect all goods immediately upon receipt for damage or errors in shipping. Call Customer Service within 3 business days in the event of errors or damage. Credit will not be issued for custom items made to specification or non-stock items older than 30 days, unless Fillauer shipped in error or there is defect in materials or workmanship.

Prior approval and a return authorization number must be obtained from Customer Service for all goods returned. Credit for returned merchandise is subject to inspection and may be subject to a 15% restocking fee for merchandise in resalable condition. Goods returned without prior approval may be subject to a 25% restocking fee. No credit shall be issued for goods that are more than 12 months old. Returns must be returned in unopened sellable packaging accompanied by a copy of original invoice, order number, or PO number. The return authorization number, provided by Customer Service, must appear on the shipping label.



Dynamic Walk

Orthotic Joints

RGO & IRGO

Spinal Braces

Insoles

Peva

Abduction Orthosis

Tiny Titans





# Catalog symbol legend

## Specification symbols

SE Manufactured in Sweden

US Manufactured in USA

ES Manufactured in Spain

## Color symbols

CC03/Tan

CC99/Black

Grey

Green

Pink

Orange



# Dynamic Walk

## Specification symbols

SE Manufactured in Sweden

US Manufactured in USA

ES Manufactured in Spain

# Dynamic Walk - Size Charts

## Dynamic Walk Standard

SIZE	LENGTH	WIDTH	HEIGHT	CALF CIRCUMFERENCE
Small	9.1 in. (230 mm)	2.6 in. (67 mm)*	13.0 in. (330 mm)	9.4 - 13.0 in. (240 - 330 mm)
Medium	9.8 in. (250 mm)	2.8 in. (72 mm)*	14.0 in. (355 mm)	13.4 - 16.5 in. (340 - 420 mm)
Large	10.6 in. (270 mm)	3.1 in. (78 mm)*	15.0 in. (380 mm)	16.9 - 20.5 in. (430 - 520 mm)

\*Width measured approximately one centimeter above the foot plate

## Dynamic Walk Wide Ankle

SIZE	LENGTH	WIDTH*	HEIGHT	CALF CIRCUMFERENCE
Small	9.1 in. (230 mm)	2.8 in. (72 mm)*	13.0 in. (330 mm)	9.4 - 13.0 in. (240 - 330 mm)
Medium	9.8 in. (250 mm)	3.1 in. (80 mm)*	14.0 in. (355 mm)	13.4 - 16.5 in. (340 - 420 mm)
Large	10.6 in. (270 mm)	3.4 in. (87 mm)*	15.0 in. (380 mm)	16.9 - 20.5 in. (430 - 520 mm)

\*Width measured approximately one centimeter above the foot plate

## Dynamic Walk Double - Double

SIZE	LENGTH	WIDTH	HEIGHT	CALF CIRCUMFERENCE
Small	9.1 in. (230 mm)	2.6 in. (67 mm)*	13.6 in. (345 mm)	9.4 - 13.0 in. (240 - 330 mm)
Medium	9.8 in. (250 mm)	2.8 in. (72 mm)*	15.0 in. (380 mm)	13.4 - 16.5 in. (340 - 420 mm)
Large	10.6 in. (270 mm)	3.1 in. (78 mm)*	15.7 in. (400 mm)	16.9 - 20.5 in. (430 - 520 mm)

\*Width measured approximately one centimeter above the foot plate

## Dynamic Walk Double - Double Wide Ankle

SIZE	LENGTH	WIDTH*	HEIGHT	CALF CIRCUMFERENCE
Small	9.1 in. (230 mm)	2.8 in. (72 mm)*	13.6 in. (345 mm)	9.4 - 13.0 in. (240 - 330 mm)
Medium	9.8 in. (250 mm)	3.1 in. (80 mm)*	15.0 in. (380 mm)	13.4 - 16.5 in. (340 - 420 mm)
Large	10.6 in. (270 mm)	3.4 in. (87 mm)*	15.7 in. (400 mm)	16.9 - 20.5 in. (430 - 520 mm)

\*Width measured approximately one centimeter above the foot plate



### Shoe Mount

SIZE	LENGTH	HEIGHT	CALF CIRCUMFERENCE
Small	6.4 in. (163mm)	14.2 in. (360 mm)	9.4 - 13.0 in. (240 - 330 mm)
Medium	6.4 in. (163 mm)	15.2 in. (385 mm)	13.4 - 16.5 in. (340 - 420 mm)
Large	6.4 in. (163 mm)	16.1 in. (410 mm)	16.9 - 20.5 in. (430 - 520 mm)

### Modular

SIZE	LENGTH	HEIGHT
Small	9.1 in. (230 mm)	12.6 in. (320 mm)
Medium	9.8 in. (250 mm)	13.4 in. (340 mm)
Large	10.6 in. (270 mm)	14.6 in. (370 mm)

# Dynamic Walk - Standard

SE

## Product Features

- Lightweight
- Medial/ Laterally stable
- Flexible
- High strength
- Warranty: 12 months
- Size descriptions on page 11-12



## Ordering information

 Dynamic Walk **with** Padding

DESCRIPTION	PRODUCT NUMBER LEFT	PRODUCT NUMBER RIGHT
Small	700111121K	700111122K
Medium	700111141K	700111142K
Large	700111161K	700111162K

 Dynamic Walk **without** Padding

DESCRIPTION	PRODUCT NUMBER LEFT	PRODUCT NUMBER RIGHT
Small	700111121	700111122
Medium	700111141	700111142
Large	700111161	700111162

### PADDING

DESCRIPTION	PRODUCT NUMBER
Small	700100220
Medium	700100240
Large	700100260





# Dynamic Walk - Wide Ankle

SE

## Product Features

- Increased width between the PEEK-rods
- Lightweight
- Flexible
- Warranty: 12 months
- Size descriptions on page 11-12



## Ordering information

Dynamic Walk **with** Padding

DESCRIPTION	PRODUCT NUMBER LEFT	PRODUCT NUMBER RIGHT
Small	700111321K	700111322K
Medium	700111341K	700111342K
Large	700111361K	700111362K

Dynamic Walk **without** Padding

DESCRIPTION	PRODUCT NUMBER LEFT	PRODUCT NUMBER RIGHT
Small	700111321	700111322
Medium	700111341	700111342
Large	700111361	700111362

### PADDING

DESCRIPTION	PRODUCT NUMBER
Small	700100220
Medium	700100240
Large	700100260



# Dynamic Walk - Double-Double

SE

## Product Features

- Four PEEK-rods for stronger lift
- Allows for everyday activities
- Flexible
- Lightweight and high strength
- Warranty: 12 months
- Size descriptions on page 11-12



## Ordering information

 Dynamic Walk **with** Padding

DESCRIPTION	PRODUCT NUMBER LEFT	PRODUCT NUMBER RIGHT
Small	700117121K	700117122K
Medium	700117141K	700117142K
Large	700117161K	700117162K

 Dynamic Walk **without** Padding

DESCRIPTION	PRODUCT NUMBER LEFT	PRODUCT NUMBER RIGHT
Small	700117121	700117122
Medium	700117141	700117142
Large	700117161	700117162

## PADDING

DESCRIPTION	PRODUCT NUMBER
Small	700100220
Medium	700100240
Large	700100260





# Dynamic Walk - Wide Ankle Double-Double

SE



## Product Features

- Four PEEK-roads for stronger lift
- Allows for everyday activities
- Flexible
- Lightweight and high strength
- Warranty: 12 months
- Size descriptions on page 11-12

## Ordering information

Dynamic Walk **with** Padding

DESCRIPTION	PRODUCT NUMBER LEFT	PRODUCT NUMBER RIGHT
Small	700117321K	700117322K
Medium	700117341K	700117342K
Large	700117361K	700117362K

Dynamic Walk **without** Padding

DESCRIPTION	PRODUCT NUMBER LEFT	PRODUCT NUMBER RIGHT
Small	700117321	700117322
Medium	700117341	700117342
Large	700117361	700117362

### PADDING

DESCRIPTION	PRODUCT NUMBER
Small	700100220
Medium	700100240
Large	700100260





# Dynamic Walk - Single Side Medial

SE

## Product Features

- Lightweight
- Easy donning and doffing
- Available with PEEK-rods on either medial or lateral side
- Fits easily into normal shoes
- Warranty: 12 months
- Size descriptions on page 11-12



## Ordering information

 Dynamic Walk **with** Padding

SIZE	PRODUCT NUMBER LEFT	PRODUCT NUMBER RIGHT
Small	700113121K	700113122K
Medium	700113141K	700113142K
Large	700113161K	700113162K

 Dynamic Walk **without** Padding

SIZE	PRODUCT NUMBER LEFT	PRODUCT NUMBER RIGHT
Small	700113121	700113122
Medium	700113141	700113142
Large	700113161	700113162

### PADDING MEDIAL

SIZE	PRODUCT NUMBER LEFT	PRODUCT NUMBER RIGHT
Small	700100322	700100321
Medium	700100342	700100341
Large	700100362	700100361





# Dynamic Walk - Single Side Lateral

SE

## Product Features

- Lightweight
- Easy donning and doffing
- PEEK-rods on lateral side
- Fits easily into normal shoes
- Warranty: 12 months
- Size descriptions on page 11-12



## Ordering information

Dynamic Walk **with** Padding

SIZE	PRODUCT NUMBER LEFT	PRODUCT NUMBER RIGHT
Small	700114121K	700114122K
Medium	700114141K	700114142K
Large	700114161K	700114162K

Dynamic Walk **without** Padding

SIZE	PRODUCT NUMBER LEFT	PRODUCT NUMBER RIGHT
Small	700114121	700114122
Medium	700114141	700114142
Large	700114161	700114162

### PADDING LATERAL

SIZE	PRODUCT NUMBER LEFT	PRODUCT NUMBER RIGHT
Small	700100321	700100322
Medium	700100341	700100342
Large	700100361	700100362





# Dynamic Walk - Shoe Mount

SE US

## Product Features

- Available with custom height
- Lightweight and high strength
- Assemble yourself or let us do it for you
- NOTE: single side lateral only
- Warranty: 12 months
- Size descriptions on page 11-12



Orthosis before assembly

Shoe not included

## Ordering information

### Dynamic Walk **with** Padding

DESCRIPTION	PRODUCT NUMBER LEFT	PRODUCT NUMBER RIGHT
Small	700110721K	700110722K
Medium	700110741K	700110742K
Large	700110761K	700110762K

### Dynamic Walk **without** Padding

DESCRIPTION	PRODUCT NUMBER LEFT	PRODUCT NUMBER RIGHT
Small	700110721	700110722
Medium	700110741	700110742
Large	700110761	700110762

### PADDING

SIZE	PRODUCT NUMBER LEFT	PRODUCT NUMBER RIGHT
Small	700100321	700100322
Medium	700100341	700100342
Large	700100361	700100362



# Dynamic Walk - Modular



The Dynamic Walk Modular is an extension device that adds all the features and benefits of the Dynamic Walk to any knee orthosis. The Dynamic Walk Modular prevents distal migration of the knee orthosis while also providing some “toe pick-up” to allow for better ground clearance.

## Product Features

- Select from three sizes
- Available in dorsi-assistor straight version
- Easy attachment to orthosis
- Attachment section:  
Inner dimensions: 3.7 x 0.2 in. (95 x 6 mm)  
Outer dimensions: 4.7 x 0.6 in. (120 x 16 mm)
- Warranty: 12 months
- Size descriptions on page 11-12



## Ordering information

### PRODUCT NUMBER DORSI-ASSIST

DESCRIPTION	PRODUCT NUMBER LEFT	PRODUCT NUMBER RIGHT
Small	023889	023888
Medium	023891	023890
Large	023893	023892

### PRODUCT NUMBER STRAIGHT

DESCRIPTION	PRODUCT NUMBER LEFT	PRODUCT NUMBER RIGHT
Small	023895	023894
Medium	023897	023896
Large	023899	023898



# Dynamic Walk - Mix & Match

SE

## Product Features

- Select from model and size of foot plate
- Select from model and size of calf band
- Height is determined by model and size of calf section. See corresponding model on previous pages
- Lightweight and high strength
- Warranty: 6 months
- Size descriptions on page 11-12



## Ordering information

When ordering please include the following information:

### PRODUCT NUMBER

DESCRIPTION	MODEL	CALFSIZE	FOOTSIZE	SIDE
Dynamic Walk - Mix & Match - <b>70012</b>	<b>X</b>	<b>X</b>	<b>X</b>	<b>X</b>
Standard	<b>1</b>			
Wide Ankle	<b>2</b>			
Single Side Medial	<b>3</b>			
Single Side Lateral	<b>4</b>			
Double-Double	<b>5</b>			
Small Calf		<b>2</b>		
Medium Calf		<b>4</b>		
Large Calf		<b>6</b>		
Small Foot			<b>2</b>	
Medium Foot			<b>4</b>	
Large Foot			<b>6</b>	
Left				<b>1</b>
Right				<b>2</b>

Example: Single side lateral, large calf, medium foot, right side: 700 124 642

If you need to change size on the footpart or change the height please use Custom Calf height or Foot length instead on page 21-22

FOOT SECTION	SMALL	MEDIUM	LARGE
All types except Shoe Mount	230 mm	250 mm	270 mm
CALF SECTION	SMALL	MEDIUM	LARGE
Standard/ Wide Ankle Standard	330 mm	355 mm	380 mm
Double Double/Wide Ankle Double Double	345 mm	380 mm	400 mm
Single Side Lateral/Single Side Medial	345 mm	370 mm	395 mm

# Dynamic Walk - Mix & Match Custom Calf Height or Foot Length


**SE**

## Product Features

- Select from model and size of foot plate
- Select from model and size of calf band
- Height is determined by model and size of calf section. (See charts below)
- Lightweight and high strength
- Warranty: 6 months

## Custom Calf Height or Foot Length

FOOT SECTION	SMALL	MEDIUM	LARGE
All types except Shoe Mount	230 mm +/- 13 mm	250 mm +/- 13 mm	270 mm +/- 13 mm
CALF SECTION	SMALL	MEDIUM	LARGE
Standard/Wide Ankle Standard	330 mm +/- 25 mm	355 mm +/- 30 mm	380 mm +/- 35 mm
Double Double/Wide Ankle Double Double	345 mm +/- 25 mm	380 mm +/- 30 mm	400 mm +/- 35 mm
Single Side Lateral/Single Side Medial/ Shoe Mount	345 mm +/- 25 mm	370 mm +/- 30 mm	395 mm +/- 35 mm

## Ordering information

Use order form on page 22

DESCRIPTION	PRODUCT NUMBER
Dynamic Walk - Custom Calf Height or Foot Length	<b>700100105</b>

**NOTE:** Padding is sold separately.



# Dynamic Walk - Custom Made

SE

US

The Dynamic Walk Custom Made is recommended for patients in need of something utterly special or when the Standard, Single Side or Mix & Match features will not fit correctly. Whether the need is for a customisation of the lifting force or size, Fillauer's Dynamic Walk can be Custom Made to fit perfectly.

**Warranty:** 6 months

### Please send us:

- Positive Cast
- Negative Cast
- Positive Foam



Pediatric size Dynamic Walk

### Product Features

- Customisable size and lift
- Perfect fit from patient cast
- Lightweight and high strength
- Order form on page 24

## Ordering information

### PRODUCT NUMBER

DESCRIPTION	PRODUCT NUMBER
Dynamic Walk - Custom Made	<b>700100100</b>
Negative Cast	<b>700100146*</b>
Positive Foam	<b>700100147*</b>

\*add this product number when sending negative cast or foam

### Casting/Mold Instructions

- Send a negative cast or a positive scanned mold
- The cast/mold should be taken seated with 90 degrees in the ankle and with as neutral (medio/lateral) position in the ankle joint is possible
- Mark pressure points and sensitive areas
- Please make a smooth cast with 4 layers of plaster, the plaster must be 5 cm longer than the desired height of the finished orthosis
- Reinforce the cast with 2 layers of plaster
- If you send a positive cast be sure that the rebar is so far in as some cm from the proximal end of the foot/toes
- Fill in the whole measurement form and send it together with the cast/mold
- The cast will be discarded 6 months after delivery

**NOTE: Padding is sold separately.**







# Orthotic Joints

## Specification symbols

SE Manufactured in Sweden

US Manufactured in USA

ES Manufactured in Spain

## Modular Integrated Ankle Joint, Double Action

US

### Product Features

- Sold in pairs
- Square bar slot for easy fabrication
- Nickel plated for corrosion resistance
- Available in steel or aluminum alloy
- Offers spring-loaded dorsi-assist combined with a stepless adjustable dorsi-flexion stop
- Warranty: 12 months



### Ordering information

MATERIAL	PROD. NO. 12 MM BAR SLOT	PROD. NO. 16 MM BAR SLOT	PROD. NO. 19 MM BAR SLOT
Steel	<b>IA12-EU</b>	<b>IA16-EU</b>	<b>IA19-EU</b>
Aluminum alloy	<b>IA12-AL-EU</b>	<b>IA16-AL-EU</b>	<b>IA19-AL-EU</b>

## Modular Integrated Ankle Joint, Adjustable Range of Motion

US

### Product Features

- Sold in pairs
- Square bar slot for easy fabrication
- Available in steel or aluminum alloy
- Features anterior and posterior ROM adjustment
- Accepts double action stirrup head or solid stirrup (not included)
- Possible to initially lock ROM and then gradually increase it as patient progresses
- Warranty: 12 months



### Ordering information

MATERIAL	PROD. NO. 12 MM BAR SLOT	PROD. NO. 16 MM BAR SLOT	PROD. NO. 19 MM BAR SLOT
Steel	<b>IA12ARM-EU</b>	<b>IA16ARM-EU</b>	<b>IA19ARM-EU</b>
Aluminum alloy	<b>IA12ARM-AL-EU</b>	<b>IA16ARM-AL-EU</b>	<b>IA19ARM-AL-EU</b>



# Integrated Ankle Joint, Double Action

US

## Product Features

- Sold in pairs
- Dorsi-flexion and/ or plantar flexion assist
- Nickel plated aluminum for corrosion resistance
- Includes all mounting hardware, stirrups and alignment fixture
- Warranty: 12 months



## Ordering information

DESCRIPTION	PROD. NO. SMALL	PROD. NO. MEDIUM	PROD. NO. LARGE
Integrated Ankle Joint - Double Action	<b>IA-CH-DA-AL</b>	<b>IA-YTH-DA-AL</b>	<b>IA-AD-DA-AL</b>

# Integrated Ankle Joint Adjustable range of motion

US

## Product Features

- Sold in pairs
- Uses a double action stirrup
- Stepless adjustability
- Includes all mounting hardware stirrups and alignment fixture
- Aluminum
- Warranty: 12 months



## Ordering information

DESCRIPTION	PROD. NO. SMALL	PROD. NO. LARGE
Integrated Ankle Joint - Adjustable Range of Motion	<b>IA-SM-ARM-AL</b>	<b>IA-LG-ARM-AL</b>

# Integrated Ankle Joint Dorsiflexion Assist

US

## Product Features

- Sold in pairs
- Low profile, lightweight alternative to modular system
- Includes all mounting hardware, stirrups and alignment fixture
- Aluminum
- Warranty: 12 months



## Ordering information

DESCRIPTION	PROD. NO. SMALL	PROD. NO. MEDIUM	PROD. NO. LARGE
Integrated Ankle Joint- Dorsiflexion Assist	IA-CH-DF-AL	IA-YTH-DF-AL	IA-AD-DF-AL



# Split Tail Stirrups

US

## Product Features

- Unique “Y” shape of the split-tail is perfectly suited for use in plastic NYUCB shoe insert configurations
- Special order drilled or drilled and tapped
- Sold in pairs
- Warranty: 12 months



## Ordering information

DESCRIPTION	PROD. NO. SMALL	PROD. NO. MEDIUM	PROD. NO. LARGE
Split Tail Stirrups	IAR-CH-DA-ST	IAR-YTH-DA-ST	IAR-AD-DA-ST

# Solid Stirrups - Wide Tongue

US

## Product Features

- For use with double action ankle joints and adjustable range of motion ankle joints
- Warranty: 12 months



## Ordering information

SIZE	WIDTH	PRODUCT NUMBER
Adult	9.5 in. (241 mm)	ST-WTDA9.5
Adult	10.25 in. (260 mm)	ST-WTD10.25
Adult	11 in. (279 mm)	ST-WTDA11

# Short Leg Upright - Double Action

US

## Product Features

- Aluminum
- For lamination
- Sold individually
- Length: 16 in. (40.6 cm)
- Product weight: 4.5 oz. (128 g)
- Warranty: 12 months



## Ordering information

DESCRIPTION	PRODUCT NUMBER
Large	<b>020518</b>
Large with Positioning Pins	<b>020519</b>
<b>SPARE PARTS LARGE</b>	<b>SPARE PARTS LARGE WITH POSITION PINS</b>
010406 - Short Leg Double Action Large Bar	010406 - Short Leg Double Action Large Bar
880332 - Set Screw, 9/32"-24, Socket	880334 - Positioning Pin Threaded
880730 - Joint Nut, 1/4"-28	880730 - Joint Nut, 1/4"-28
880731 - Joint Screw, 1/4"-28	880731 - Joint Screw, 1/4"-28
881301 - Ball, 1/4 in. Diameter Chrome	
881408 - Compression Spring, .2250.0 × 1.3 Long	

# Short Leg Upright - limited/ free motion

US

## Product Features

- Aluminum
- Sold individually
- Length small: 8.5 in. (21.6 cm)
- Length medium: 12.5 in. (31.8 cm)
- Length large: 17.0 in. (43.0 cm)
- Warranty: 12 months



## Ordering information

DESCRIPTION	PROD. NO. SMALL	PROD. NO. MEDIUM	PROD. NO. LARGE
Limited motion	-	<b>020514</b>	<b>020515</b>
Free motion	<b>020509</b>	<b>020510</b>	<b>020511</b>
<b>SPARE PARTS LIMITED MOTION</b>	<b>SPARE PARTS FREE MOTION</b>		
010416 Small Short Leg Limited Motion Brace	010417 Small Short Leg Free Motion Brace		
010410 Medium Short Leg Limited Motion Brace	0104101 Medium Short Leg Free Motion Brace		
010404 Large Short Leg Limited Motion Brace	010405 Large Short Leg Free Motion Brace		
880731 Joint Screw, 1/4"-28 × 0.33 Long	020804 Screw, 10-32 × 1/4 in., Truss Head Slotted		
880730 Joint Nut, 1/4"-28 × 0.280	020805 Joint Nut, 10-32 × 0.217		



# Short Leg Upright - Toe Pick Up

US

## Product Features

- Aluminum
- Sold individually
- Length large: 17.0 in. (43.0 cm)
- Warranty: 12 months



## Ordering information

SIZE	PROD. NO. LEFT	PROD. NO. RIGHT
Small	<b>020501</b>	<b>020500</b>
Large	<b>020506</b>	<b>020504</b>
<b>SPARE PARTS SMALL</b>		<b>SPARE PARTS LARGE</b>
010414	Right Short Leg Toe Lift Brace	010402 Right Short Leg Toe Lift Brace
010415	Left Short Leg Toe Lift Brace	010403 Left Short Leg Toe Lift Brace
880330	Socket Set Screw, 1/4-28	880332 Socket Set Screw, 9/32-24
881405	Spring, 0.208 × 1.17 in. Long	881404 Spring, 0.230 × 1.8 in. Long
881300	Ball, 7/32 in. Diameter Chrome	881301 Ball, 1/4 in. Diameter Chrome
020805	Joint Nut, 10-32 × 0.217 in.	880730 Joint Nut, 1/4"-28 × 0.280
020804	Joint Screw, 10-32 × 1/4 in. Truss Head	880731 Joint Screw, 1/4"-28 × 0.33

# Ankle Joint - Limited/ Free Motion

US

## Product Features

- Sold each
- Stainless steel
- Warranty: 12 months

## Ordering information



### LIMITED MOTION

DESCRIPTION	PRODUCT NUMBER
Limited Motion, 5/8 in. (16 mm) bar slot	<b>020862</b>
Limited Motion, 3/4 in. (19 mm) bar slot	<b>020866</b>

### SPARE PARTS

010438	3/4 in. (19 mm) Ankle, Joint Limited Motion	880731	Joint Screw, 1/4"-28 × 0.33 in.
010432	5/8 in. (16 mm) Ankle Joint Limited Motion	880730	Joint Nut, 1/4"-28 × 0.28 in.

### FREE MOTION

DESCRIPTION	PRODUCT NUMBER
Free Motion, 5/8 in. (16 mm) bar slot	<b>020872</b>
Free Motion, 3/4 in. (19 mm) bar slot	<b>020876</b>

### SPARE PARTS

010433	5/8 in. (16 mm) Ankle Joint Free Motion	880731	Joint Screw, 1/4"-28 × 0.33 in.
010437	3/4 in. (19 mm) Ankle Joint, Free Motion	880730	Joint Nut, 1/4"-28 × 0.28 in.

# Ankle Joint - Toe Pick Up

US

## Product Features

- Sold each
- Openings for a 5/8 in. (16 mm) wide bar
- Stainless steel
- Warranty: 12 months



## Ordering information

DESCRIPTION	PRODUCT NUMBER LEFT	PRODUCT NUMBER RIGHT
Toe Pick Up, 5/8 in. (16 mm) bar slot	<b>020855</b>	<b>020854</b>

### SPARE PARTS

010430	Right Ankle Joint Toe Pick Up	880731	Joint Screw, 1/4"-28 × 0.33 in.
010431	Left Ankle Joint Toe Pick Up	880730	Joint Nut, 1/4"-28 × 0.28 in.
881301	Ball, 1/4 in. Diameter, Chrome	881406	Spring, 0.23 × 1.4 in. Long
880332	Socket Set Screw, 9/32-24 Flat Point		





# Ankle Joint - Double Action

**US**

## Product Features

- Sold each
- Stainless steel
- Warranty: 12 months



## Ordering information

### DOUBLE ACTION 5/8 IN. AND 3/4 IN.

DESCRIPTION	PRODUCT NUMBER
Double Action, 5/8 in. (16 mm) Channel	<b>020882</b>
Double Action, 3/4 in. (19 mm) Channel	<b>020886</b>

### SPARE PARTS

010434 5/8 in. (16 mm) Model Ankle Joint, Mach Double Action	880730 Joint Nut, 1/4"-28 × 0.28
010439 3/4 in. (19 mm) Model Ankle Joint, Mach Double Action	881301 Ball, 1/4 in. Diameter Chrome
880332 Socket Set Screw, 9/32-24 Flat Point	881408 Spring, 0.225 × 1.36 in. Long
880731 Joint Screw, 1/4"-28 × 0.33 in. Long	

### DOUBLE ACTION THREADED PINS AND POSITIONING PINS

DESCRIPTION	PRODUCT NUMBER
Double Action with Threaded Pins, 5/8 in. (16 mm) Channel	<b>020884</b>
Double Action with Positioning Pins 3/4 in. (19 mm) Channel	<b>020888</b>

### SPARE PARTS

010434 5/8 in. (16 mm) Model Ankle Joint, Mach Double Action	880731 Joint Screw, 1/4"-28 × 0.33 in.
010439 3/4 in. (19 mm) Model Ankle Joint, Mach Double Action	880730 Joint Nut, 1/4"-28 × 0.28 in.
880334 Positioning Pin, with Thread	

# Stirrups - Standard

US

## Product Features

- Sold each
- Has an opening for a 5/8 in. (16 mm) wide bar
- Warranty: 12 months

### LM/FM



WIDTH	PROD. NO
8-3/4 in. (222 mm)	<b>010816</b>
9-1/2 in. (241 mm)	<b>010817</b>
10-1/4 in. (260 mm)	<b>010818</b>

### Double Action



WIDTH	PROD. NO
8-3/4 in. (222 mm)	<b>010830</b>
9-1/2 in. (241 mm)	<b>010831</b>
10-1/4 in. (260 mm)	<b>010832</b>
11 in. (279 mm)	<b>010878</b>

### Toe Pick Up



WIDTH	PROD. NO
8-3/4 in. (222 mm)	<b>010802</b>
9-1/2 in. (241 mm)	<b>010803</b>
10-1/4 in. (260 mm)	<b>010804</b>
11 in. (279 mm)	<b>010877</b>



# Stirrups - Split Tongue

US

## Product Features

- Sold each
- Warranty: 12 months

### LM/FM



WIDTH	PROD. NO
1/8 x 5/8 in. (3.2 x 16 mm)	<b>010863</b>
1/8 x 3/4 in. (3.2 x 19 mm)	<b>010864</b>
1/8 x 7/8 in. (3.2 x 22 mm)	<b>010865</b>

### Double Action



WIDTH	PROD. NO
1/8 x 5/8 in. (3.2 x 16 mm)	<b>010871</b>
1/8 x 3/4 in. (3.2 x 19 mm)	<b>010872</b>
1/8 x 7/8 in. (3.2 x 22 mm)	<b>010873</b>

### Toe Pick Up



WIDTH	PROD. NO
1/8 x 5/8 in. (3.2 x 16 mm)	<b>010855</b>
1/8 x 3/4 in. (3.2 x 19 mm)	<b>010856</b>
1/8 x 7/8 in. (3.2 x 22 mm)	<b>010857</b>

# Stirrups

## Long Tongue & Wide Tongue

US

### Product Features

- Sold each
- Has an opening for a 16 mm wide bar
- Warranty: 12 months

### Long Tongue



#### LM/ FM LARGE

WIDTH	PROD. NO
10-1/4 in. (260 mm)	<b>010842</b>

#### DOUBLE ACTION LARGE

WIDTH	PROD. NO
10-1/4 in. (260 mm)	<b>010845</b>

#### TOE PICK UP

WIDTH	PROD. NO
10-1/4 in. (260 mm)	<b>010839</b>

### Wide Tongue



#### LM/ FM LARGE

WIDTH	PROD. NO
10-1/4 in. (260 mm)	<b>010851</b>

#### DOUBLE ACTION LARGE

WIDTH	PROD. NO
10-1/4 in. (260 mm)	<b>010854</b>

#### TOE PICK UP

WIDTH	PROD. NO
10-1/4 in. (260 mm)	<b>010848</b>



# Rectangle Caliper Plates

US

## Product Features

- Zinc plated
- Sold each



## Ordering information

SIZE	LENGTH	PROD. NO. LEFT	PROD. NO. RIGHT
1/8 x 5/8 in. Uprights	3.5 in. (88.9 mm)	<b>020248</b>	<b>020230</b>
1/8 x 3/4 in. Uprights	3-3/4 in. (95.3 mm)	<b>020263</b>	<b>020255</b>

# Insert Stirrup For Plastic Orthotics

US

## Product Features

- Stainless steel
- Sold in pair, medial and lateral
- For plastic laminations
- Warranty: 12 months



without offset

## Ordering information

### INSERT STIRRUP WITHOUT OFFSET

DESCRIPTION	2-3/8 IN. (60 MM)	2-3/4 IN. (70MM)
Stirrup, Insert, Double Action	<b>020096</b>	<b>020094</b>

# Polycar-C™ Ankle Inserts

US

## Product Features

- High performance reinforced composite
- Heating temp. 350°-400°F (175°C - 200°C)
- Easy to mold
- High carbon content
- Thermobonds to polypropylene, copolymer and metal



## Ordering information

DESCRIPTION	SIZE	PRODUCT NUMBER
PolyCar-C™ insert, 0.06 in. (1.5 mm)	Small	<b>076630</b>
PolyCar-C™ insert, 0.09 in. (2.3 mm)	Medium	<b>076632</b>
PolyCar-C™ insert, 0.09 in. (2.3 mm)	Large	<b>076634</b>
PolyCar-C™ insert, 0.13 in. (3.2 mm)	X-Large	<b>076636</b>



# Dorsiflexion Assist Ankle Joint Kits With Polycar-C

US

## Specifications:

Weight limit: 181 lbs. (82 kg)

Warranty: 12 months

## Product Features

- Indicated for conditions requiring toe lift
- Aluminum head, stainless steel, stirrup, right and left, pair



## Ordering information

DESCRIPTION	PRODUCT NUMBER
Dorsiflexion Assist Kit	<b>020836</b>
<b>SPARE PARTS</b>	
A 020830 - Dorsiflexion ankle joint body, right	F 020802 - Pre-cut Polycar-C™, .060 in. composite, 2 each
020834 - Dorsiflexion ankle joint body, left	G 020804 - Screw, 10-32 x 1/4 in., truss HD, SS, 2 each
B 020760 - AFO alignment tool, 1 each	H 020832 - Dorsiflexion stirrup insert, right, 1 each, LG
C 880330 - Socket set screw 1/4"-28 in.	020828 - Dorsiflexion stirrup insert, left, 1 each, LG
D 020807 - Spring, 0.21 in. O.D., 2 each	I 020805 - Joint nut, 2 each 10-32 x 0.217 in.
E 881300 - Ball, chrome, 7/32 in., 2 each	J 885345 - Allen wrench, 1/8 in. short

# PDA Ankle Joint Kits With Polycar-C

US

## Specifications:

Weight limit: 181 lbs. (82 kg)

Warranty: 12 months

## Product Features

- Plantar/ dorsiflexion assist
- Indicated for conditions requiring rigid ankle support and positioning
- Aluminum head, stainless steel, stirrup, right and left, pair



## Ordering information

DESCRIPTION	PRODUCT NUMBER
PDA Ankle Joint Kit, large	<b>020894</b>
<b>SPARE PARTS</b>	
A 020890 - PDA ankle joint body, 2 ea.	G 020807 - Spring, .21 in. O.D., 2 each
B 020760 - AFO alignment tool, 1 ea,	H 809763 - Dowel pin, 1/8 x 7/8 in., 4 each
C 020802 - Pre-cut polycar-C™, .060 in. composite, 2 each	I 880330 - Spring retainer screw, 2 each
D 020804 - Screw, 10-32 x 1/4 in., truss HD, SS, 2 each	J 020826 - Double action stirrup insert, 2 each, Large
E 020805 - Joint nut, 2 each 10-32 x 0.217 in.	K 885345 - Allen wrench, 1/8 in.
F 881300 - Ball, chrome, 7/32 in., 2 each	





# Steplock®

US

## Product Features

- Steplock® orthotic joint offers the patient security even though full extension can not be reached
- Perfect joint for treating a flexion contracture
- The joint has 9 different positions, locks in flexion and allows movement in extension
- Release kit available, see page 41 - 42
- Nickel plated alloy
- Straight - medial and lateral straight
- Left medial offset (pairs) - left medial contoured, lateral straight
- Right medial offset (pairs) - right medial contoured, lateral straight
- Double contour - medial and lateral contoured
- Warranty: 12 months



## Ordering information

### JOINT PAIRS WITH BARS

DESCRIPTION	3/16 X 1/2 IN. (5 X 12 MM)	3/16 X 5/8 IN. (5 X 16 MM)	1/4 X 5/8 IN. (6 X 16 MM)	3/16 X 3/4 IN. (5 X 19 MM)	1/4 X 3/4 IN. (6 X 19 MM)
Straight	SL-512KS	SL-516KS	SL-616KS	SL-519KS	SL-619KS
Left medial contour	SL-512KL	SL-516KL	SL-616KL	SL-519KL	SL-619KL
Right medial contour	SL-512KR	SL-516KR	SL-616KR	SL-519KR	SL-619KR
Double contour	SL-512KB	SL-516KB	SL-616KB	SL-519KB	SL-619KB
Hip joints	SL-512H	SL-516H	SL-616H	SL-519H	SL-619H

### JOINT PAIRS WITHOUT BARS

DESCRIPTION	1/2 IN. (12 MM) BAR SLOT	5/8 IN. (16 MM) BAR SLOT	3/4 IN. (19 MM) BAR SLOT
Straight	SL-12JS	SL-58JS	SL-34JS
Left medial contour	SL-12JL	SL-58JL	SL-34JL
Right medial contour	SL-12JR	SL-58JR	SL-34JR
Double contour	SL-12JB	SL-58JB	SL-34JB

### SINGLE JOINT WITH BARS

DESCRIPTION	3/16 X 1/2 IN. (5 X 12 MM)	3/16 X 5/8 IN. (5 X 16 MM)	1/4 X 5/8 IN. (6 X 16 MM)	3/16 X 3/4 IN. (5 X 19 MM)	1/4 X 3/4 IN. (6 X 19 MM)
Left medial contour	SL-512KOL	SL-516KOL	SL-616KOL	SL-519KOL	SL-619KOL
Right medial contour	SL-512KOR	SL-516KOR	SL-616KOR	SL-519KOR	SL-619KOR
Straight left lateral	SL-512KSL	SL-516KSL	SL-616KSL	SL-519KSL	SL-619KSL
Straight right lateral	SL-512KSR	SL-516KSR	SL-616KSR	SL-519KSR	SL-619KSR

### SINGLE JOINT WITHOUT BARS

DESCRIPTION	1/2 IN. (12 MM) BAR SLOT	5/8 IN. (16 MM) BAR SLOT	3/4 IN. (19 MM) BAR SLOT
Left medial contour	SL-12JOL	SL-58JOL	SL-34JOL
Right contour	SL-12JOR	SL-58JOR	SL-34JOR
Straight left lateral	SL-12JSL	SL-58JSL	SL-34JSL
Straight right lateral	SL-12JSR	SL-58JSR	SL-34JSR

# Interlock™

US

## Product Features

- Interlock is a drop lock alternative that is modular
- Release kit available, see page 41 - 42
- Nickel plated alloy
- Straight - medial and lateral straight
- Left medial offset (pairs) - left medial contoured, lateral straight
- Right medial offset (pairs) - right medial contoured, lateral straight
- Double contour - medial and lateral contoured
- Warranty: 12 months



## Ordering information

### JOINT PAIRS WITH BARS

DESCRIPTION	3/16 X 1/2 IN. (5 X 12 MM)	3/16 X 5/8 IN. (5 X 16 MM)	1/4 X 5/8 IN. (6 X 16 MM)	3/16 X 3/4 IN. (5 X 19 MM)	1/4 X 3/4 IN. (6 X 19 MM)
Straight	<b>IL-512KS</b>	<b>IL-516KS</b>	<b>IL-616KS</b>	<b>IL-519KS</b>	<b>IL-619KS</b>
Left Medial Contour	<b>IL-512KL</b>	<b>IL-516KL</b>	<b>IL-616KL</b>	<b>IL-519KL</b>	<b>IL-619KL</b>
Right Medial Contour	<b>IL-512KR</b>	<b>IL-516KR</b>	<b>IL-616KR</b>	<b>IL-519KR</b>	<b>IL-619KR</b>
Double Contour	<b>IL-512KB</b>	<b>IL-516KB</b>	<b>IL-616KB</b>	<b>IL-519KB</b>	<b>IL-619KB</b>
Hip Joints	<b>IL-512H</b>	<b>IL-516H</b>	<b>IL-616H</b>	-	-

### JOINT PAIRS WITHOUT BARS

DESCRIPTION	1/2 IN. (12 MM) BAR SLOT	5/8 IN. (16 MM) BAR SLOT	3/4 IN. (19 MM) BAR SLOT
Straight	<b>IL-12JS</b>	<b>IL-58JS</b>	<b>IL-34JS</b>
Left Medial Contour	<b>IL-12JL</b>	<b>IL-58JL</b>	<b>IL-34JL</b>
Right Medial Contour	<b>IL-12JR</b>	<b>IL-58JR</b>	<b>IL-34JR</b>
Double Contour	<b>IL-12JB</b>	<b>IL-58JB</b>	<b>IL-34JB</b>

### SINGLE JOINT WITH BARS

DESCRIPTION	3/16 X 1/2 IN. (5 X 12 MM)	3/16 X 5/8 IN. (5 X 16 MM)	1/4 X 5/8 IN. (6 X 16 MM)	3/15 X 3/4 IN. (5 X 19 MM)	1/4 X 3/4 IN. (6 X 19 MM)
Left Medial Contour	<b>IL-512KOL</b>	<b>IL-516KOL</b>	<b>IL-616KOL</b>	<b>IL-519KOL</b>	<b>IL-619KOL</b>
Right Medial Contour	<b>IL-512KOR</b>	<b>IL-516KOR</b>	<b>IL-616KOR</b>	<b>IL-519KOR</b>	<b>IL-619KOR</b>
Straight Left Lateral	<b>IL-512KSL</b>	<b>IL-516KSL</b>	<b>IL-616KSL</b>	<b>IL-519KSL</b>	<b>IL-619KSL</b>
Straight Right Lateral	<b>IL-512KSR</b>	<b>IL-516KSR</b>	<b>IL-616KSR</b>	<b>IL-519KSR</b>	<b>IL-619KSR</b>

### SINGLE JOINT WITHOUT BARS

DESCRIPTION	1/2 IN. (12 MM) BAR SLOT	5/8 IN. (16 MM) BAR SLOT	3/4 IN. (19 MM) BAR SLOT
Left Medial Contour	<b>IL-12JOL</b>	<b>IL-58JOL</b>	<b>IL-34JOL</b>
Right Medial Contour	<b>IL-12JOR</b>	<b>IL-58JOR</b>	<b>IL-34JOR</b>
Straight Left Lateral	<b>IL-12JSL</b>	<b>IL-58JSL</b>	<b>IL-34JSL</b>
Right Lateral	<b>IL-12JSR</b>	<b>IL-58JSR</b>	<b>IL-34JSR</b>



# Bar Kit

US

## Product Features

- Comes in a four piece kit
- Material: Aluminum



## Ordering information

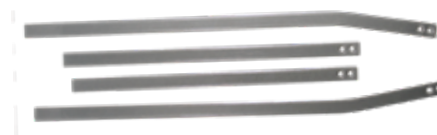
DESCRIPTION	3/16 X 1/2 IN. (5 X 12 MM)	3/16 X 5/8 IN. (5 X 16 MM)	3/16 X 3/4 IN. (5 X 19 MM)	1/4 X 5/8 (6 X 16 MM)	1/4 X 3/4 (6 X 19 MM)
Bar Kit	<b>BARKIT512</b>	<b>BARKIT516</b>	<b>BARKIT519</b>	<b>BARKIT616</b>	<b>BARKIT619</b>

# 2400 Bar Kit

US

## Product Features

- 3/16 in. (5 mm) thick bar
- Comes in a four piece kit
- Material: Aluminum



## Ordering information

DESCRIPTION	PRODUCT NUMBER
3/16 x 1/2 in. (5 x 12 mm)	<b>2400-BAR-KIT-5</b>
1/4 x 5/8 in. (6 x 16 mm)	<b>2400-BAR-KIT-6</b>
3/16 x 3/4 in. (7 x 19 mm)	<b>2400-BAR-KIT-7</b>

# Close Contour Pediatric Knee Joint

**US**

## Product Features

- Miniature pediatric Steplock® knee joint
- 120° range of motion with 9 intermediate locking positions
- Rugged nickel plated alloy construction
- Can be contoured within 1/2 in. (12 mm) of knee center
- Innovative lock retainer allows free motion
- Warranty: 12 months



## Ordering information

DESCRIPTION	PRODUCT NUMBER
Close Contour Joint Pairs - Steplock, 4,5	CC4-5SL

# Release Kit SBK

**US**

## Product Features

- For use on original series Steplock® only
- Features a soldered stainless steel bail (joints, uprights, plastics not included)
- Warranty: 12 months



## Ordering information

DESCRIPTION	PRODUCT NUMBER
Bail Kit for Regular Step Lock, IL	SBK

# Release Kit RBK

**US**

## Product Features

- For use on original series Interlock and Steplock
- Features a stainless steel rod bail (joints, uprights, plastics not included)
- Warranty: 12 months



## Ordering information

DESCRIPTION	PRODUCT NUMBER
Bail Kit Rod for Steplock + IL	RBK



# Release Kit - UBK

US

## Product Features

- For use on 2400/ 2755 series Unilock
- Warranty: 12 months



## Ordering information

DESCRIPTION	PRODUCT NUMBER
IMAC Bail Kit 2400/2755 Unilock Knee Joint	<b>UBK</b>

# Lever Release Kit - LRK

US

## Product Features

- The lever release kit provides a remote-operated unlocking mechanism that connects the medial and lateral joints, making it easier to lock and unlock any spring-loaded joint (joints, uprights and plastics not included)
- Easy to fabricate
- Strong
- Warranty: 12 months



## Ordering information

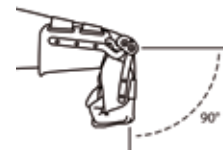
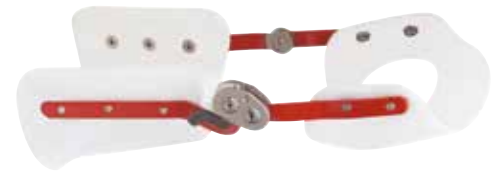
DESCRIPTION	PRODUCT NUMBER
Fits the Interlock and Steplock size 3/16 x 1/2 in. (5 x 12 mm)	<b>LRK512SM</b>
Fits the Interlock and Steplock all size except size 3/16 x 1/2 in. (5 x 12 mm)	<b>LRK1619</b>

# Close Contour

US

## Product Features

- Elbow - forward extension ratcheting and reverse flexion ratcheting for positioning
- Wrist ratcheting from 90° plantar flexion to 30° dorsi flexion
- Includes free motion bar joint for opposite side
- Steplock features a built-in lock retainer
- Unparalleled strength to weight ratio with OTS alloy
- Nickel plated finish for durability
- Warranty: 12 months



## Ordering information

DESCRIPTION	PROD. NO. LEFT LATERAL	PROD. NO. RIGHT LATERAL
Extension Elbow	<b>CC-4ESL-LT</b>	<b>CC-4ESL-RT</b>
Reverse Elbow (flexion)	<b>CC-4RSL-LT</b>	<b>CC-4RSL-RT</b>
Wrist	<b>CC-4WSL-LT</b>	<b>CC-4WSL-RT</b>



# Trigger Release for Camlocks

US

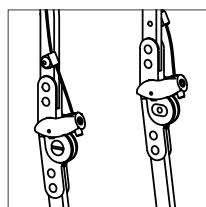
## Product Features

- Proximal release for sitting
- Easy use from standing position
- Great for RGO's
- For medium and large camlock joints

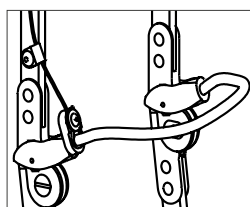


## Ordering information

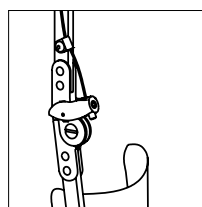
DESCRIPTION	PRODUCT NUMBER
Trigger Release, with Dual Cable	<b>023750</b>
Trigger Release, with Bail Rod	<b>023751</b>
Trigger Release, with Single Cable	<b>023753</b>



023750



023751



023753

Reference pages 47-48 Cam Locks

# Zippy Quick Release

US

## Product Features

- Allows easy removal and reattachment from AFO upper assemblies



## Ordering information

DESCRIPTION	PRODUCT NUMBER
Zippy Quick Release, with Cleat	<b>020700</b>
Zippy Quick Release, with Threaded Mounting Holes in Cleat	<b>020710</b>

# Drop Lock Aluminum Hip Joint Assemblies

US

## Product Features

- Sold in pairs
- Warranty: 12 months



## Ordering information

DESCRIPTION	BAR	PRODUCT NUMBER
Small	3/16 x 1/2 in. (5 x 13 mm)	<b>050401</b>
Medium	1/4 x 5/8 in. (6 x 16 mm)	<b>050402</b>
Large	1/4 x 3/4 in. (6 x 19 mm)	<b>050403</b>

# Drop Lock Aluminum Knee Joint Assemblies

US

## Product Features

- Sold in pairs
- Warranty: 12 months



## Ordering information

DESCRIPTION	BAR	PRODUCT NUMBER
Small	3/16 x 1/2 in. (5 x 13 mm)	<b>023800</b>
Medium	1/4 x 5/8 in. (6 x 16 mm)	<b>023801</b>
Large	1/4 x 3/4 in. (6 x 19 mm)	<b>023802</b>





# Drop Lock Low Profile Aluminum Knee Joint Assemblies

**US**

## Product Features

- Sold in pairs
- Stainless steel joint
- Aluminum bars
- Warranty: 12 months



## Ordering information

### MEDIUM JOINT 3/16 X 5/8 (5 X 16 MM) BAR

DESCRIPTION	PROD. NO. LEFT	PROD. NO. RIGHT	PROD. NO. LEFT & RIGHT
Straight	-	-	023134
Medial And Lateral Contoured	-	-	023136
Medial Contoured	023138	023139	-

### LARGE JOINT 3/16 X 3/4 (5 X 19 MM) BAR

DESCRIPTION	PROD. NO. LEFT	PROD. NO. RIGHT	PROD. NO. LEFT & RIGHT
Straight	-	-	023140
Medial And Lateral Contoured	-	-	023142
Medial Contoured	023144	023145	023143

## Spring Loaded Lever Lift

**US**

## Product Features

- For use with Drop Lock. Increases lever arm for easy unlocking



## Ordering information

DESCRIPTION	PRODUCT NUMBER
Complete Assembly	029033
<b>SPARE PARTS</b>	
Rod- for spring loaded lever	029009
Spring- for spring loaded lever	029017
Guide Post- for spring loaded lever	029025





# RGO & IRGO

## Specification symbols

SE Manufactured in Sweden

US Manufactured in USA

ES Manufactured in Spain

## RGO/IRGO Overview

An orthotic solution that provides ambulation for the paraplegic injured who is unable to stand and/or walk due to total or partial loss of function of the lower extremities. All designs can be used with either internal or external KAFO's

**Applications:** Child through adult



### Hooped Cable Design

- With its familiarity and simplicity, the Hooped Cable Design is the simplest and easiest to use and adjust.
- The Hooped Cable Design offers greater friction in use than the other designs.
- Popular choice for spinal lesions.
- Page 51 - 58

### Horizontal Cable Design

- This design offers cosmetically most discretion in a low maintenance style. The Horizontal Cable design can be used with either a thermoplastic or a rigid pelvic band of standard or butterfly style.
- The design is often combined with a molded plastic LSO (lumbo-sacral orthosis) or TLSO (thoraco-lumbo-sacral orthosis) jacket, depending on the level of the lesion or control desired.
- Page 59 - 66

### IRGO® Design

- The Isocentri RGO (IRGO) is the heavy duty alternative. It offers a very strong mechanism with a thicker Rocker Bar reciprocator that is welded to the sidebars.
- Maintenance free with very low friction makes it a very good choice for the ones with no control or very low control of the lower extremities.
- Page 67 - 69



# Small Hooped Cable RGO

US

## Ordering information

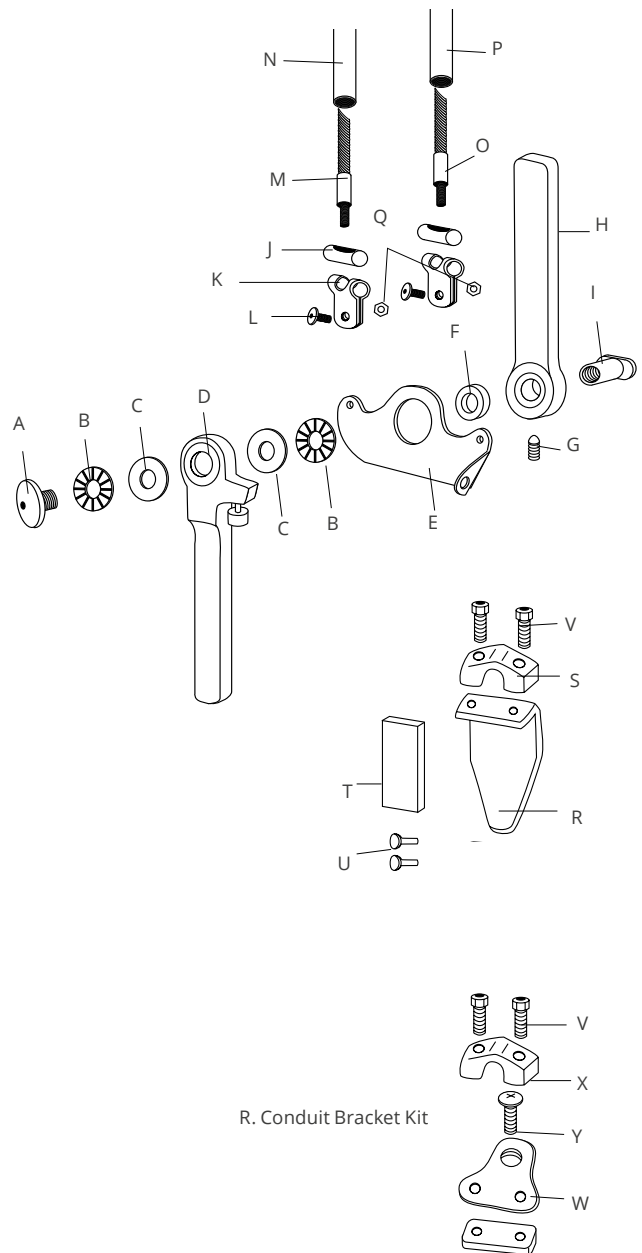
DESCRIPTION	PRODUCT NUMBER
Small XLong includes 3/16 x 5/8 x 9 in. (4.8 x 15.9 x 228.6 mm) Lower Bars	<b>028040</b>

### SPARE PARTS

- A **027946** - Joint Screw, 1/4"-28 x 11/16 in., 2 Each
- B **027979** - Thrust Bearing
- C **027987** - Thrust Race
- D **Lower Bar Assembly, Standard or XLong Bars, 1 Pair Included**
  - Standard, Right - **026880**
  - Standard, Left - **026881**
  - XLong, Right - **026884**
  - XLong, Left - **026885**
- E **Coupling Plate, 1 Pair Included**
  - **026427** - Coupling Plate, Right
  - **026435** - Coupling Plate, Left
- F **026708** - Spacer
- G **027961** - Set Screw, 8-32 x 3/8 in., 2 Each
- H **027904** - Upper Hip Joint Bar
- I **027953** - Joint Nut
- J **027725** - Swivel Nut
- K **027727** - Swivel Coupling
- L **027860** - Screw, 5-40 x .203 in., 4 Each
- M **028888** - Cable, with Threaded Terminals, Anterior, 18 in. (457 mm)
- N **028914** - Cable, Housing, Anterior, 14 in. (356 mm)
- O **028886** - Cable, with Threaded Terminals, Posterior, 16 in. (406 mm)
- P **028912** - Cable Housing, Posterior, 12 in. (305 mm)
- Q **885140** - Hex Nut, 5-40
- R. **028050KT - Conduit Bracket Kit**
  - 026666 - Posterior Conduit Bracket Assembly, 2 Each**
    - R. **028605** - Posterior Conduit Bracket
    - S. **026478** - Conduit Bracket Clamp
    - U. **886870** - Rivets, Stainless Steel 1/8 x 5/8 in. Truss Head, 8 Each
    - V. **880574** - Conduit Bracket Screws, 6-32 x 3/8 in., 4 Each
  - 026674 - Anterior Conduit Bracket Assembly, 2 Each**
    - W. **028613** - Anterior Conduit Bracket
    - X. **026478** - Conduit Bracket Clamp
    - Y. **880048** - Flat Head Screw, 8-32 x 1/2 in., 2 Each
    - V. **880574** - Conduit Bracket Screws, 6-32 x 3/8 in. , 4 Each

### Also Included But Not Pictured:

- 889002 - Loctite #242, .02 oz. (0.6 ml) Tube
- 027420 - Outriggers, 2 Each (For Plastic Girdle Fabrication, Refer to RGO Manual)



R. Conduit Bracket Kit

# Large Hooped Cable RGO without Abduction

US

## Ordering information

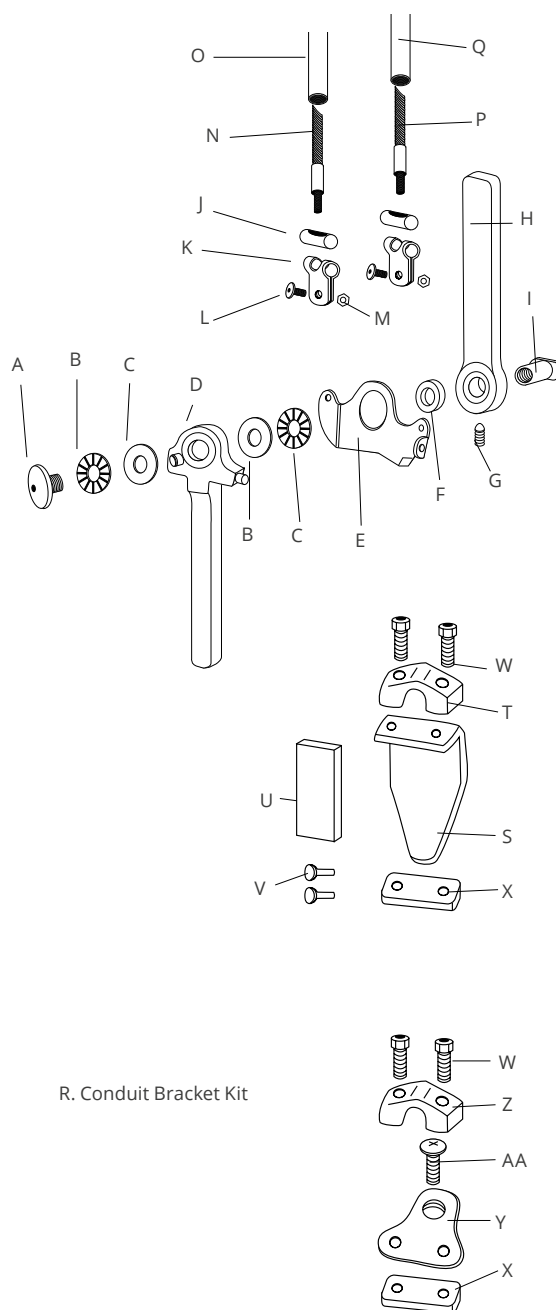
DESCRIPTION	PRODUCT NUMBER
Large XLong, includes 1/2 x 7/8 x 12 in. (12.7 x 22.2 x 304.8 mm) Lower Bars	<b>028046</b>

### SPARE PARTS

- A. 027771 - Joint Screw, 7/16 x .843 in., 2 Each
- B. 027797 - Thrust Bearing
- C. 027805 - Thrust Race
- D. **Lower Bar Assembly, Standard or XLong Bars, 1 Pair**  
 - 026900 - XLong, Right  
 - 026901 - XLong, Left
- E. **Coupling Plate, 1 Pair Included**  
 - 026601 - 2 Position Coupling Plate, Right  
 - 026603 - 2 Position Coupling Plate, Left
- F. 028647 - Spacer
- G. 027896 - Set Screw, 10-32 x 3/8 in., 2 Each
- H. 027730 - Upper Hip Joint Bar
- I. 028399 - Joint Nut
- J. 027726 - Swivel Nut
- K. 027728 - Swivel Coupling
- L. 027862 - Screw, 6-32 x .350 in., 4 Each
- M. 885100 - Nut
- N. 028830 - Cable, with Threaded Terminals, Anterior, 30 in. (762 mm)
- O. 028866 - Cable Housing, Anterior, 26 in. (660 mm)
- P. 028828 - Cable, with Threaded Terminals, Posterior, 28 in. (711 mm)
- Q. 028864 - Cable Housing, Posterior, 24 in. (610 mm)
- R. **028056KT - Conduit Bracket Kit**  
**026864 - Posterior Conduit Bracket Assembly, 2 Each**  
 - S. 026628 - Posterior Conduit Bracket  
 - T. 027877 - Conduit Bracket Clamp  
 - U. 028936 - Support Bar  
 - V. 886872 - Rivets, Stainless Steel 5/32 x 5/8 in. Truss Head, 8 Each  
 - W. 880809 - Screws, 8-32 x 1/2 in., 4 Each  
 - X. 026660 - Conduit Bracket Plate (Not Pictured)
- 026674 - Anterior Conduit Bracket Assembly, 2 Each**  
 - W. 028613 Anterior Conduit Bracket  
 - X. 026478 Conduit Bracket Clamp  
 - Y. 880048 Flat Head Screw, 8-32 x 1/2 in., 2 Each  
 - V. 880574 Screws, 6-32 x 3/8 in., 4 Each

### Also Included But Not Pictured:

- 889002 - Loctite #242, .02 oz. (0.6 ml) Tube
- 027420 - Outriggers, 2 Each (For Plastic Girdle Fabrication, Refer to RGO Manual)



R. Conduit Bracket Kit



# Large Hooped Cable RGO with Abduction

US

## Ordering information

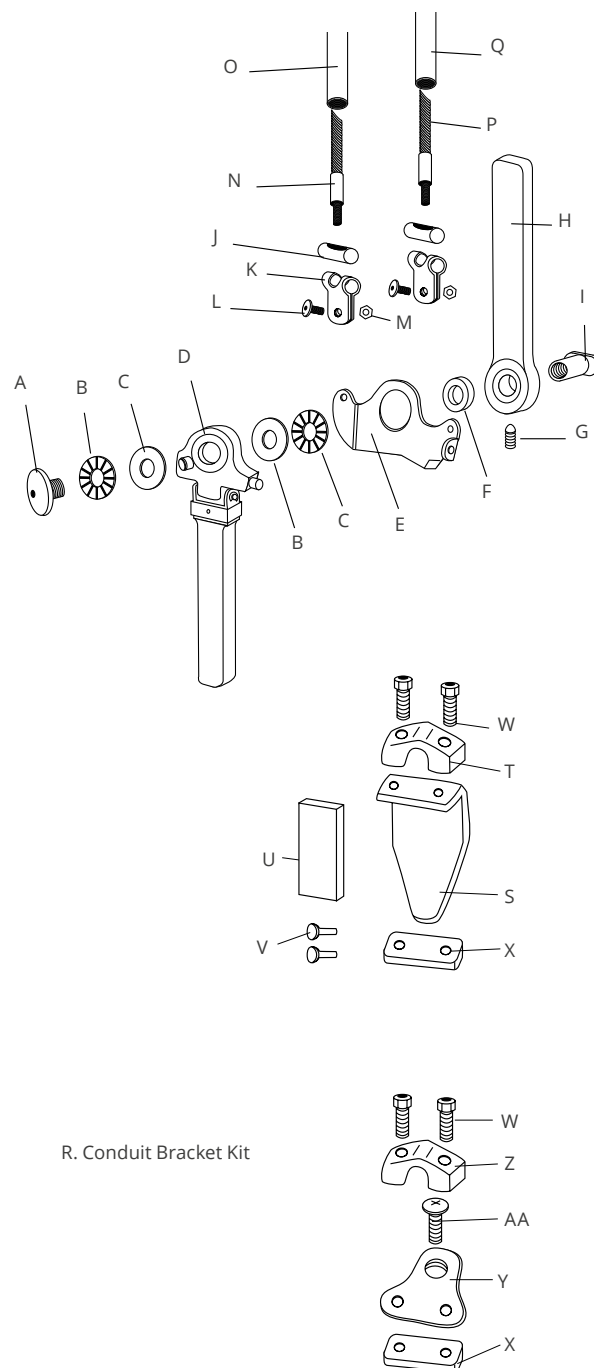
DESCRIPTION	PRODUCT NUMBER
Large, includes 1/2 x 3/4 x 11-3/8 in. (12.7 x 19.1 x 288.9 mm) Lower Bars	<b>026162</b>

### SPARE PARTS

- A. 027771 - Joint Screw, 7/16 x .843 in., 2 Each
- B. 027797 - Thrust Bearing
- C. 027805 - Thrust Race
- D. **Lower Bar Assembly, RGO II System with Abduction, 1 Pair**  
 - 026196 - RGO II System, Right  
 - 026198 - RGO II System, Left
- E. **Coupling Plate, 1 Pair Included**  
 - 026601 - 2 Position Coupling Plate, Right  
 - 026603 - 2 Position Coupling Plate, Left
- F. 028647 - Spacer
- G. 027896 - Set Screw, 10-32 x 3/8 in., 2 Each
- H. 027730 - Upper Hip Joint Bar
- I. 028399 - Joint Nut
- J. 027726 - Swivel Nut
- K. 027728 - Swivel Coupling
- L. 027862 - Screw, 6-32 x .350 in., 4 Each
- M. 885100 - Nut
- N. 028830 - Cable, with Threaded Terminals, Anterior, 30 in. (762 mm)
- O. 028866 - Cable Housing, Anterior, 26 in. (660 mm)
- P. 028828 - Cable, with Threaded Terminals, Posterior, 28 in. (711 mm)
- Q. 028864 - Cable Housing, Posterior, 24 in. (610 mm)
- R. **028056KT - Conduit Bracket Kit**  
**026864 - Posterior Conduit Bracket Assembly, 2 Each**
  - S. 026628 - Posterior Conduit Bracket
  - T. 027877 - Conduit Bracket Clamp
  - U. 028936 - Support Bar
  - V. 886872 - Rivets, Stainless Steel 5/32 x 5/8 in., Truss Head, 8 Each
  - W. 880809 - Screws, 8-32 x 1/2 in., 4 Each
  - X. 026660 - Conduit Bracket Plate (Not Pictured)**026674 - Anterior Conduit Bracket Assembly, 2 Each**
  - W. 028613 Anterior Conduit Bracket
  - X. 026478 Conduit Bracket Clamp
  - Y. 880048 Flat Head Screw, 8-32 x 1/2 in., 2 Each
  - V. 880574 Screws, 6-32 x 3/8 in., 4 Each

### Also Included But Not Pictured:

- 889002 - Loctite #242, .02 oz. (0.6 ml) Tube
- 027420 - Outriggers, 2 Each (For Plastic Girdle Fabrication, Refer to RGO Manual)



R. Conduit Bracket Kit

# Hooped Cable RGO Cables and Housings

US

## Ordering information



### SMALL HIP JOINTS, 3/32 IN. (2.4 MM) CABLE WITH TERMINALS

CABLE	HOUSING	PROD. NO. CABLE	PROD. NO. HOUSING
13 in. (330mm)	9 in. (229 mm)	<b>028883</b>	<b>028909</b>
14 in. (356 mm)	10 in. (254 mm)	<b>028884</b>	<b>028910</b>
15 in. (381 mm)	11 in. (279 mm)	<b>028885</b>	<b>028911</b>
16 in. (406 mm)	12 in. (305 mm)	<b>028886</b>	<b>028912</b>
17 in. (432 mm)	13 in. (330 mm)	<b>028887</b>	<b>028913</b>
18 in. (457 mm)	14 in. (356 mm)	<b>028888</b>	<b>028914</b>
19 in. (483 mm)	15 in. (381 mm)	<b>028889</b>	<b>028915</b>
20 in. (508 mm)	16 in. (406 mm)	<b>028890</b>	<b>028916</b>
21 in. (533 mm)	17 in. (432 mm)	<b>028891</b>	<b>028917</b>
22 in. (559 mm)	18 in. (457 mm)	<b>028892</b>	<b>028918</b>
23 in. (584 mm)	19 in. (483 mm)	<b>028893</b>	<b>028919</b>
24 in. (610 mm)	20 in. (508 mm)	<b>028894</b>	<b>028920</b>
25 in. (635 mm)	21 in. (533 mm)	<b>028895</b>	<b>028921</b>
26 in. (660 mm)	22 in. (559 mm)	<b>028896</b>	<b>028922</b>

### MEDIUM AND LARGE HIP JOINTS, 1/8 IN. (3.2 MM) CABLE WITH TERMINALS

CABLE	HOUSING	PROD. NO. CABLE	PROD. NO. HOUSING
12 in. (305 mm)	8 in. (203 mm)		<b>028908</b>
15 in. (381 mm)	11 in. (279 mm)	<b>028815</b>	
16 in. (406 mm)	12 in. (305 mm)	<b>028816</b>	<b>028852</b>
17 in. (432 mm)	13 in. (330 mm)	<b>028817</b>	<b>028853</b>
18 in. (457 mm)	14 in. (356 mm)	<b>028818</b>	<b>028854</b>
19 in. (483 mm)	15 in. (381 mm)	<b>028819</b>	<b>028855</b>
20 in. (508 mm)	16 in. (406 mm)	<b>028820</b>	<b>028856</b>
21 in. (533 mm)	17 in. (432 mm)	<b>028821</b>	<b>028857</b>
22 in. (559 mm)	18 in. (457 mm)	<b>028822</b>	<b>028858</b>
23 in. (584 mm)	19 in. (483 mm)	<b>028823</b>	<b>028859</b>
24 in. (610 mm)	20 in. (508 mm)	<b>028824</b>	<b>028860</b>
25 in. (635 mm)	21 in. (533 mm)	<b>028825</b>	<b>028861</b>
26 in. (660 mm)	22 in. (559 mm)	<b>028826</b>	<b>028862</b>
27 in. (686 mm)	23 in. (584 mm)	<b>028827</b>	<b>028863</b>
28 in. (711 mm)	24 in. (610 mm)	<b>028828</b>	<b>028864</b>
29 in. (737 mm)	25 in. (635 mm)	<b>028829</b>	<b>028865</b>
30 in. (762 mm)	26 in. (660 mm)	<b>028830</b>	<b>028866</b>
31 in. (787 mm)	27 in. (686 mm)	<b>028831</b>	<b>028867</b>
32 in. (813 mm)	28 in. (711 mm)	<b>028832</b>	<b>028868</b>
33 in. (838 mm)	29 in. (737 mm)	<b>028833</b>	<b>028869</b>
34 in. (864 mm)	30 in. (762 mm)	<b>028834</b>	<b>028870</b>
35 in. (889 mm)	31 in. (787 mm)	<b>028835</b>	<b>028871</b>
36 in. (914 mm)	32 in. (813 mm)	<b>028836</b>	<b>028872</b>
37 in. (940 mm)	33 in. (838 mm)	<b>028837</b>	<b>028873</b>





## Latch Knob for Small Hooped Cable RGO

**US**

### Product Features

- For small Hooped Cable RGOs only
- Warranty: 12 months



### Ordering information

DESCRIPTION	LOWER BAR	PROD. NO. LEFT	PROD. NO. RIGHT
Standard	3/16 x 5/8 x 5 in. (4.8 x 15.9 x 127 mm)	<b>028062</b>	<b>028060</b>
XLong	3/16 x 5/8 x 9 in. (4.8 x 15.9 x 228.6 mm)	<b>028066</b>	<b>028064</b>

## Push Button for Hooped Cable RGO

**US**

### Product Features

- For medium and large Hooped Cable RGOs
- Push button flexion lock release
- Two step coupling plate to assist standing
- Warranty: 12 months



### Ordering information

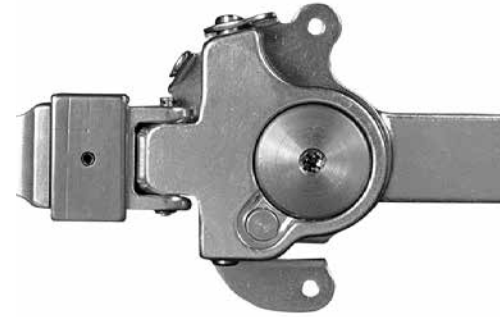
DESCRIPTION	LOWER BAR	PROD. NO. LEFT	PROD. NO. RIGHT
Medium Standard	1/4 x 3/4 x 6 in. (6.4 x 19.1 x 152.4 mm)	<b>028082</b>	<b>028080</b>
Medium XLong	1/4 x 3/4 x 10 in. (6.4 x 19.1 x 254 mm)	<b>028086</b>	<b>028084</b>
Large Standard	5/16 x 7/8 x 8 in. (7.9 x 22.2 x 203.2 mm)	<b>028092</b>	<b>028090</b>
Large XLong	5/16 x 7/8 x 12 in. (7.9 x 22.2 x 304.8 mm)	<b>028096</b>	<b>028094</b>

# RGO II System for Hooped Cable RGO with Abduction

US

## Product Features

- Available for medium and large RGO sizes only
- Abduction joint with ring lock release
- Push button flexion lock release
- Two step coupling plate to assist standing
- Automatic relocking with internal spring
- Long, heavy duty lower hip joint bar, compatible with existing upper bars
- Warranty: 12 months



## Ordering information

DESCRIPTION	LOWER BAR	PROD. NO. LEFT	PROD. NO. RIGHT
Medium	7/16 x 3/4 x 7 in. (11.1 x 19.1 x 177.8 mm)	<b>026750</b>	<b>026752</b>
Large	1/2 x 3/4 x 10 in. (12.7 x 19.1 x 254 mm)	<b>026756</b>	<b>026754</b>



# Small Horizontal Cable RGO

US

## Ordering information

DESCRIPTION	PRODUCT NUMBER
Small Standard, includes 3/16 x 5/8 x 5 in. (4.8 x 15.9 x 127 mm) Lower Bars	<b>028728</b>
Small XLong includes 3/16 x 5/8 x 9 in. (4.8 x 15.9 x 228.6 mm) Lower Bars	<b>028728XL</b>

### SPARE PARTS

- A 027946 - Joint Screw, 1/4-28 x 11/16 in., 2 Each
- B 027979 - Thrust Bearing
- C 027987 - Thrust Race

#### D Lower Bar Assembly, Standard or XLong Bars, 1 Pair Included

- Standard, Right - 026880
- Standard, Left - 026881
- XLong, Right - 026884
- XLong, Left - 026885

#### E Coupling Plate, 1 Pair Included

- 026669 - Coupling Plate, Right
- 026668 - Coupling Plate, Left

#### F 026708 - Spacer

#### G 027961 - Set Screw, 8-32 x 3/8 in., 2 Each

#### H 027904 - Upper Hip Joint Bar

#### I 027953 - Joint Nut

#### J 026550 - Rocker Arm Base, with Screw

#### K. Rocker Arm, 1 Pair Included in Assembly

- 028580 - Rocker Arm, Right
- 028581 - Rocker Arm, Left

#### L 027045 - Thrust Bearing

#### M 026450 - Joint Screw

#### N 026447 - Swivel Nut

#### O 026452 - Swivel Coupling

#### P 880917 - Screw, 8-32 x 3/8 in., 4 Each

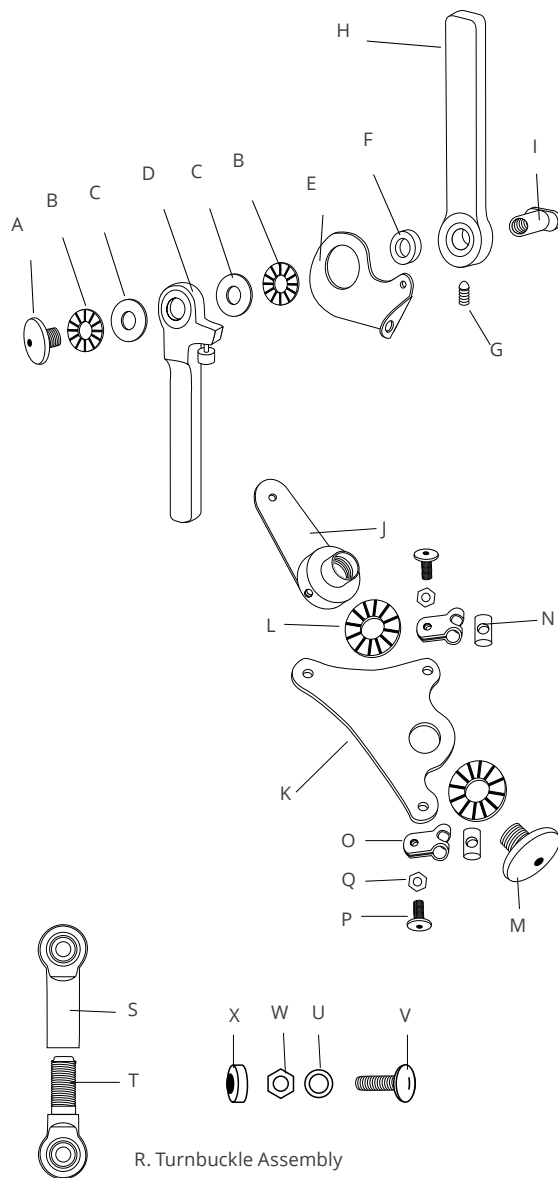
#### Q 885105 - Jam Nut, 8-32, Small Pattern - 1/4 in. Hex

#### R. 026732 - Rod End Assembly, 2 Each

- S. 880738 - Rod End, Female
- T. 880784 - Rod End, Male
- U. 43005 - Washer
- V. 880212 - Screw, 10-32 x 5/8 in., 4 Each
- W. 885133 - Jam Nut, 10-32 - 5/16 in. Hex
- X. 803300 - Extension Stop, 2 Each

#### Also Included But Not Pictured:

- 889002 - Loctite #242, .02 oz. (0.6 ml) Tube
- 028575 - Outriggers, 2 Each (For Plastic Girdle Fabrication, Refer to RGO Manual)
- 886887 - Rivets



R. Turnbuckle Assembly

# Medium Horizontal Cable RGO without Abduction

US

## Ordering information

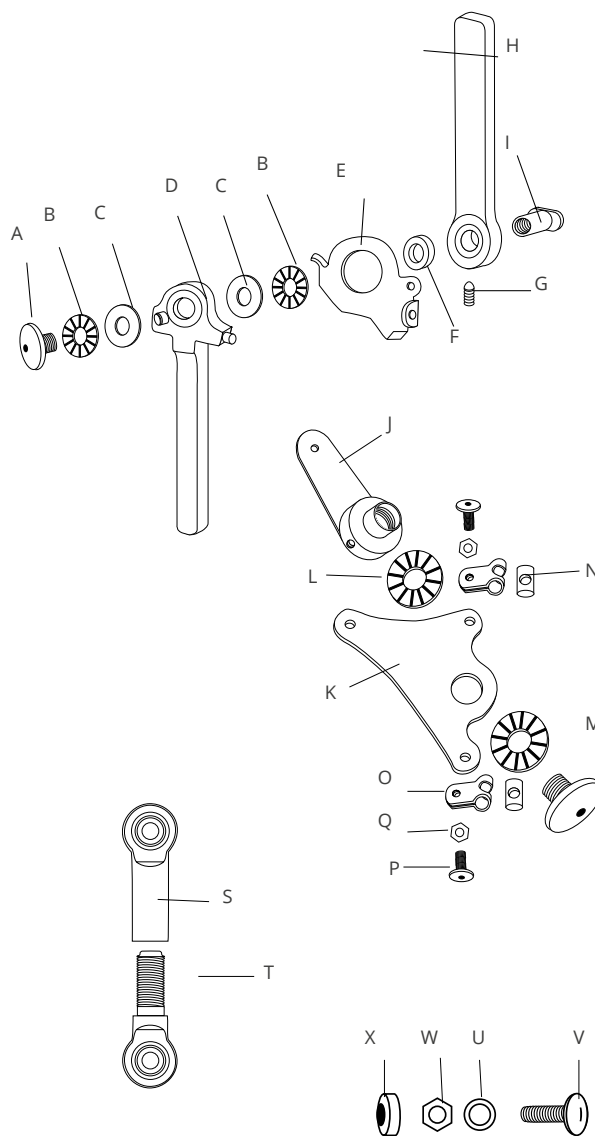
DESCRIPTION	PRODUCT NUMBER
Medium XLong, includes 7/16 x 3/4 x 10 in. (11.1 x 19.1 x 254 mm), Lower Bars	<b>028722XL</b>

### SPARE PARTS

- A. **026534** - Joint Screw, 3/8 x 13/16 in., 2 Each
- B. **027045** - Thrust Bearing
- C. **027052** - Thrust Race
- D. **Lower Bar Assembly, Standard or XLong Bars, 1 Pair Included**
  - XLong, Right - **026892**
  - XLong, Left - **026893**
- E. **Coupling Plate, 1 Pair Included**
  - **026184** - 2 Position Coupling Plate, Right
  - **026186** - 2 Position Coupling Plate, Left
- F. **028621** - Spacer
- G. **027961** - Set Screw, 8-32 x 3/8 in., 2 Each
- H. **026955** - Upper Hip Joint Bar
- I. **026542** - Joint Nut
- J. **026550** - Rocker Arm Base, with Screw
- K. **Rocker Arm, 1 Pair Included in Assembly**
  - **028578** - Rocker Arm, Right
  - **028579** - Rocker Arm, Left
- L. **027045** - Thrust Bearing
- M. **026450** - Joint Screw
- N. **026447** - Swivel Nut
- O. **026452** - Swivel Coupling
- P. **880917** - Screw, 8-32 x 3/8 in., 4 Each
- Q. **885105** - Jam Nut, 8-32, Small Pattern - 1/4 in. Hex
- R. **026732 - Rod End Assembly, 2 Each**
  - S. **880738** - Rod End, Female
  - T. **880784** - Rod End, Male
  - U. **43005** - Washer
  - V. **880212** - Screw, 10-32 x 5/8 in., 4 Each
  - W. **885133** - Nut, 10-32 - 5/16 in. Hex
  - X. **803300** - Extension Stop, 2 Each

### Also Included But Not Pictured:

- 889002** - Loctite #242, .02 oz. (0.6 ml.) Tube
- 028575** - Outriggers, 2 Each (For Plastic Girdle Fabrication, Refer to RGO Manual)
- 886887** - Rivets



R. Turnbuckle Assembly



# Medium Horizontal Cable RGO with Abduction

US

## Ordering information

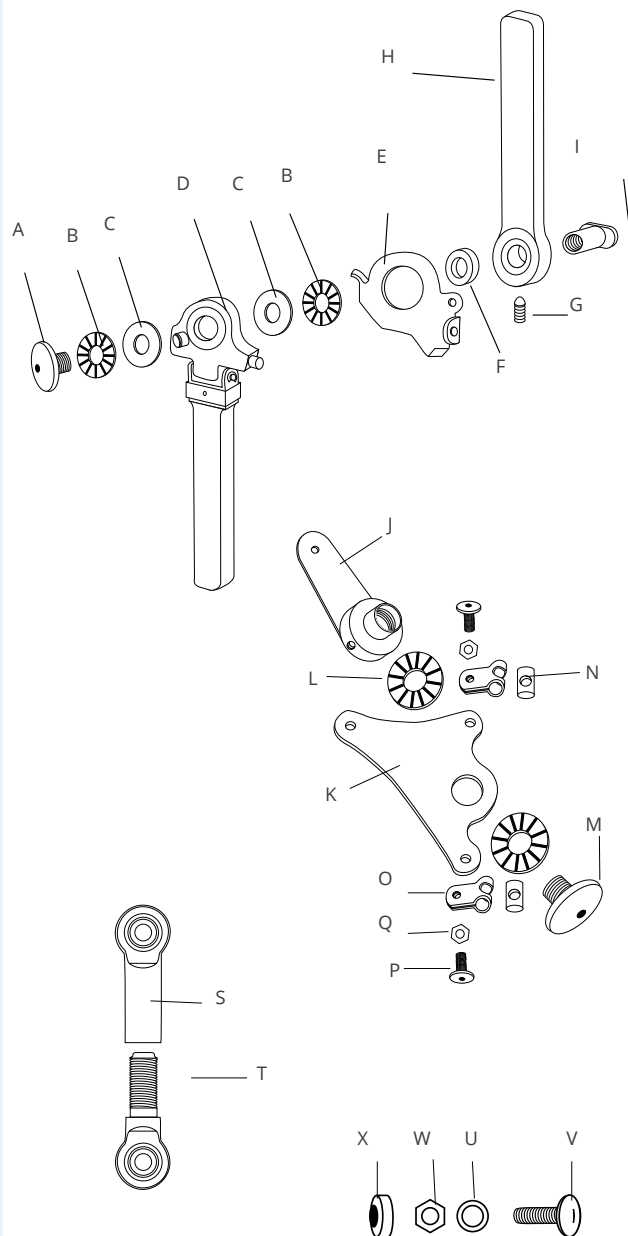
DESCRIPTION	PRODUCT NUMBER
Medium, includes 7/16 x 3/4 x 8-1/4 (11.1 x 19.1 x 209.6 mm) RGO II System Lower	<b>028752</b>

### SPARE PARTS

- A. 026534 - Joint Screw, 3/8 x 13/16 in., 2 Each
- B. 027045 - Thrust Bearing
- C. 027052 - Thrust Race
- D. **Lower Bar Assembly, RGO II System with Abduction, 1 Pair Included**
  - 026156 - RGO II System, Right
  - 026154 - RGO II System, Left
- E. **Coupling Plate, 1 Pair Included**
  - 026184 - 2 Position Coupling Plate, Right
  - 026186 - 2 Position Coupling Plate, Left
- F. 028621 - Spacer
- G. 027961 - Set Screw, 8-32 x 3/8 in., 2 Each
- H. 026955 - Upper Hip Joint Bar
- I. 026542 - Joint Nut
- J. 026550 - Rocker Arm Base, with Screw
- K. **Rocker Arm, 1 Pair Included in Assembly**
  - 028578 - Rocker Arm, Right
  - 028579 - Rocker Arm, Left
- L. 027045 - Thrust Bearing
- M. 026450 - Joint Screw
- N. 026447 - Swivel Nut
- O. 026452 - Swivel Coupling
- P. 880917 - Screw, 8-32 x 3/8 in., 4 Each
- Q. 885105 - Nut, 8-32, Small Pattern - 1/4 in. Hex
- R. **026732 - Rod End Assembly, 2 Each**
  - S. 880738 - Rod End, Female
  - T. 880784 - Rod End, Male
  - U. 43005 - Washer
  - V. 880212 - Screw, 10-32 x 5/8 in., 4 Each
  - W. 885133 - Nut, 10-32 - 5/16 in. Hex
  - X. 803300 - Extension Stop, 2 Each

### Also Included But Not Pictured:

- 889002 - Loctite #242, .02 oz. (0.6 ml.) Tube
- 028575 - Outriggers, 2 Each (For Plastic Girdle Fabrication, Refer to RGO Manual)
- 886887 - Rivets



R. Turnbuckle Assembly

Dynamic Walk  
Orthotic Joints  
RGO & IRGO  
Spinal Braces  
Insoles  
Peva  
Abduction Orthosis  
Tiny Titans

# Large Horizontal Cable RGO without Abduction

US

## Ordering information

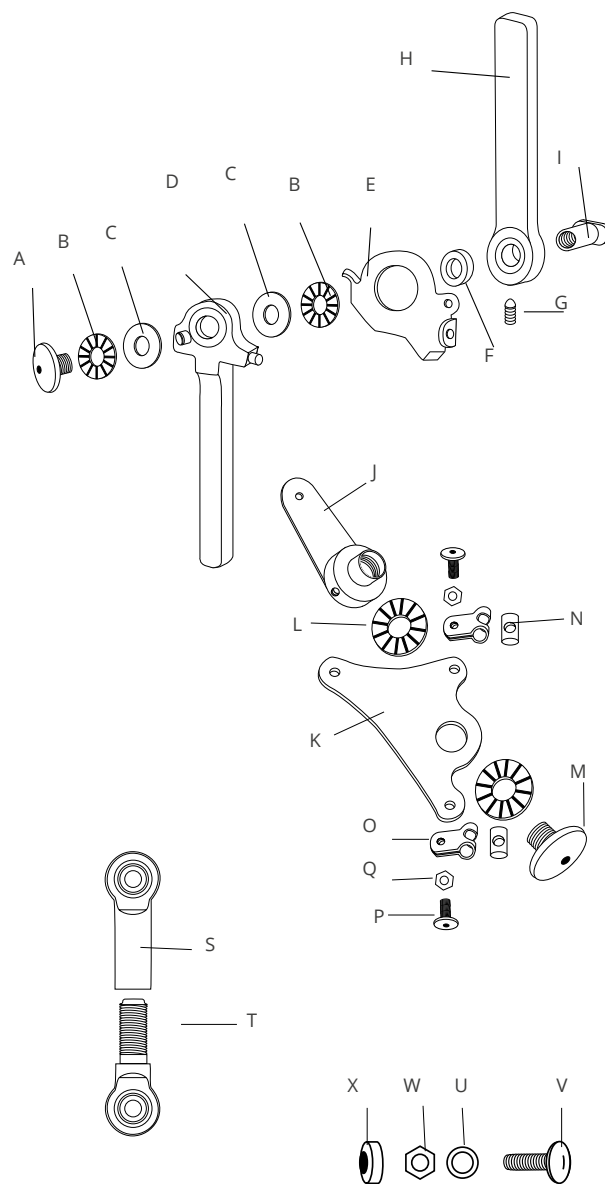
DESCRIPTION	PRODUCT NUMBER
Large XLong, includes s 1/2 x 7/8 x 12 in. (12.7 x 22.2 x 304.8 mm) Lower Bars	<b>028726XL</b>

### SPARE PARTS

- A. 027771 - Joint Screw, 7/16 x .843 in., 2 Each
- B. 027797 - Thrust Bearing
- C. 027805 - Thrust Race
- D. **Lower Bar Assembly, Standard or XLong Bars, 1 Pair Included**  
 026900- XLong, Right  
 026901- XLong, Left
- E. **Coupling Plate, 1 Pair Included**  
 - 026706 - 2 Position Coupling Plate, Right  
 - 026710 - 2 Position Coupling Plate, Left
- F. 028647 - Spacer
- G. 027896 - Screw, 10-32 x 3/8 in., 2 Each
- H. 027730 - Upper Hip Joint Bar
- I. 028399 - Joint Nut
- J. 026550 - Rocker Arm Base, with Screw
- K. **Rocker Arm, 1 Pair Included in Assembly**  
 - 028578 - Rocker Arm, Right  
 - 028579 - Rocker Arm, Left
- L. 027045 - Thrust Bearing
- M. 026450 - Joint Screw
- N. 026447 - Swivel Nut
- O. 026452 - Swivel Coupling
- P. 880917 - Screw, 8-32 x 3/8 in., 4 Each
- Q. 885105 - Nut, 8-32, Small Pattern - 1/4 in. Hex
- R. **026732 - Rod End Assembly, 2 Each**  
 - S. 880738 - Rod End, Female  
 - T. 880784 - Rod End, Male  
 - U. 43005 - Washer  
 - V. 880212 - Screw, 10-32 x 5/8 in., 4 Each  
 - W. 885133 - Nut, 10-32 - 5/16 in. Hex  
 - X. 803300 - Extension Stop, 2 Each

### Also Included But Not Pictured:

- 889002 - Loctite #242, .02 oz. (0.6 ml.) Tube
- 028575 - Outriggers, 2 Each (For Plastic Girdle Fabrication, Refer to RGO Manual)
- 886887 - Rivets



R. Turnbuckle Assembly



# Large Horizontal Cable RGO with Abduction

US

## Ordering information

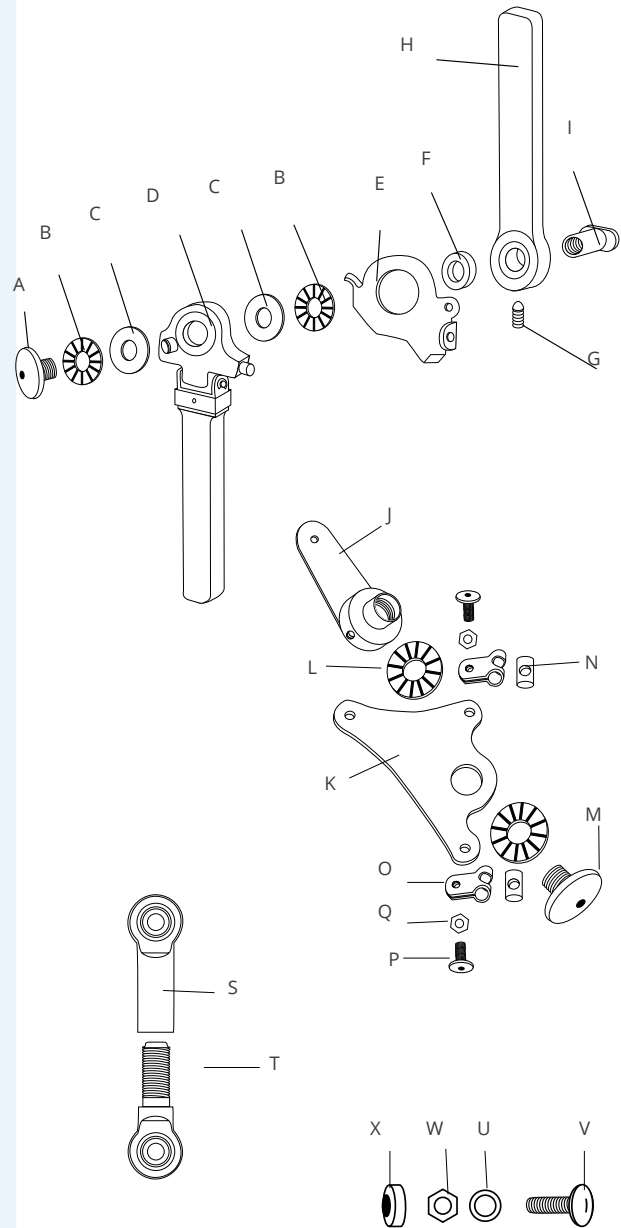
DESCRIPTION	PRODUCT NUMBER
Large 1/2 x 3/4 x 11-3/8 in. (12.7 x 19.1 x 289 mm) RGO II System Lower Bars	<b>028754</b>

### SPARE PARTS

- A. 027771 - Joint Screw, 7/16 x .843 in., 2 Each
- B. 027797 - Thrust Bearing
- C. 027805 - Thrust Race
- D. **Lower Bar Assembly, RGO II System with Abduction, 1 Pair Included**  
 - 026196 - RGO II System, Right  
 - 026198 - RGO II System, Left
- E. **Coupling Plate, 1 Pair Included**  
 - 026706 - 2 Position Coupling Plate, Right  
 - 026710 - 2 Position Coupling Plate, Left
- F. 028647 - Spacer
- G. 027896 - Screw, 10-32 x 3/8 in., 2 Each
- H. 027730 - Upper Hip Joint Bar
- I. 028399 - Joint Nut
- J. 026550 - Rocker Arm Base, with Screw
- K. **Rocker Arm, 1 Pair Included in Assembly**  
 - 028578 - Rocker Arm, Right  
 - 028579 - Rocker Arm, Left
- L. 027045 - Thrust Bearing
- M. 026450 - Joint Screw
- N. 026447 - Swivel Nut
- O. 026452 - Swivel Coupling
- P. 880917 - Screw, 8-32 x 3/8 in., 4 Each
- Q. 885105 - Nut, 8-32, Small Pattern - 1/4 in. Hex
- R. **026732 - Rod End Assembly, 2 Each**  
 - S. 880738 - Rod End, Female  
 - T. 880784 - Rod End, Male  
 - U. 43005 - Washer  
 - V. 880212 - Screw, 10-32 x 5/8 in., 4 Each  
 - W. 885133 - Nut, 10-32 - 5/16 in. Hex  
 - X. 803300 - Extension Stop, 2 Each

### Also Included But Not Pictured:

- 889002 - Loctite #242, .02 oz. (0.6 ml.) Tube
- 028575 - Outriggers, 2 Each (For Plastic Girdle Fabrication, Refer to RGO Manual)
- 886887 - Rivets



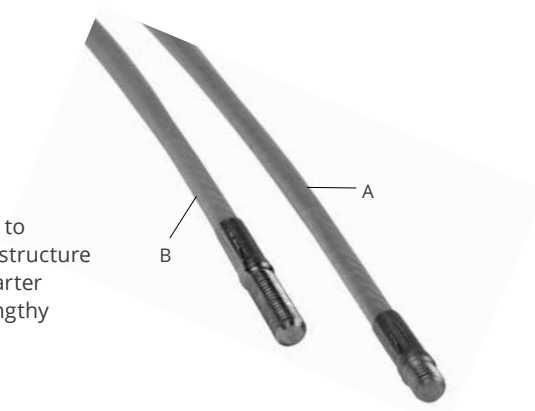
R. Turnbuckle Assembly

# Horizontal RGO Cables

US

## Product Features

When fabricating the Horizontal Cable System, it is impossible for Orthotists to predict the necessary length of cables. Fabricators must complete the basic structure then measure to determine which length of cables are needed. The cable starter kit provides orthotists with a selection of cables on hand helping to avoid lengthy assembly processes.



## Ordering information

### TYPE "A" CABLE (NOT ADJUSTABLE)

SIZE	PRODUCT NUMBER
3-3/4 - 4-1/2 in. (9.5 - 11.4 cm)	027200
4-1/4 - 5 in. (10.8 - 12.7 cm)	027202
4-3/4 - 5-1/2 in. (12.1 - 14 cm)	027204
5-1/4 - 6 in. (13.3 - 15.2 cm)	027206
5-3/4 - 6-1/2 in. (14.6 - 16.5 cm)	027208
6-1/4 - 7 in. (15.9 - 17.8 cm)	027210
6-3/4 - 7-1/2 in. (17.1 - 19.1 cm)	027212
7-1/4 - 8 in. (18.4 - 20.3 cm)	027214

### TYPE "B" CABLE (ADJUSTABLE)

SIZE	PRODUCT NUMBER
8 - 9 in. (20.3 - 22.9 cm)	027220
9 - 10 in. (22.9 - 25.4 cm)	027222
10 - 11 in. (25.4 - 28 cm)	027224
11 - 12 in. (28 - 30.5 cm)	027226
12 - 13 in. (30.5 - 33 cm)	027228
13 - 14 in. (33 - 35.6 cm)	027230
14 - 15 in. (35.6 - 38 cm)	027232
15 - 16 in. (38 - 40.6 cm)	027234
16 - 17 in. (40.6 - 43.2 cm)	027236
Set Screw, 10-32 x 1-1/2 in. For Type "B" Cables	880209

### CABLE SET

SIZE	PRODUCT NUMBER
Cable Starter Set, Includes 2 Each of Type "B" Cables Listed Below	027240





## Latch Knob for Small Horizontal Cable and Rocker Bar RGOs

**US**

### Product Features

- For small RGOs, Horizontal Cable or Rocker Bar designs only
- Extra long lower bar assembly by special order only
- Warranty: 12 months



### Ordering information

DESCRIPTION	LOWER BAR	PROD. NO. LEFT	PROD. NO. RIGHT
XLong	3/16 x 5/8 x 9 in. (4.8 x 15.9 x 228.6 mm)	<b>028706XL</b>	<b>028702XL</b>

## Push Button for Horizontal Cable and Rocker Bar RGOs

**US**

### Product Features

- For medium and large Horizontal Cable and Rocker Bar RGOs
- Push button flexion lock release
- Two step coupling plate to assist standing
- Extra long lower bar assembly by special order only
- Warranty: 12 months



### Ordering information

DESCRIPTION	LOWER BAR	PROD. NO. LEFT	PROD. NO. RIGHT
Medium XLong	1/4 x 3/4 x 10 in. (6.4 x 19.1 x 254 mm)	<b>028710XL</b>	<b>028708XL</b>
Large XLong	5/16 x 7/8 x 12 in. (7.9 x 22.2 x 304.8 mm)	<b>028714XL</b>	<b>028712XL</b>

# RGO II System for Horizontal Cable and Rocker Bar RGOs



US

## Product Features

- Available for medium and large Horizontal Cable and Rocker Bar RGOs
- Abduction joint with ring lock release
- Push button flexion lock release
- Two step coupling plate to assist standing
- Automatic relocking with internal spring
- Long, heavy duty lower hip joint bar, compatible with existing upper bars
- Warranty: 12 months

## Ordering information

DESCRIPTION	LOWER BAR	PROD. NO. LEFT	PROD. NO. RIGHT
Medium	7/16 x 3/4 x 7 in. (11.1 x 19.1 x 177.8 mm)	<b>026150</b>	<b>026152</b>
Large	1/2 x 3/4 x 10 in. (12.7 x 19.1 x 254 mm)	<b>026192</b>	<b>026190</b>

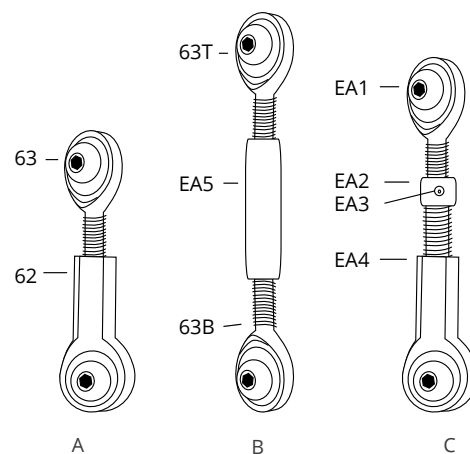


# Specialty Connectors for ISOCENTRIC® RGO

US

## Product Features

- Available in stem size 3/16 in. (4.8 mm) or 1/4 in. (6.4 mm)
- Durable design and easy to use
- A) Standard connector (104 and 104X), dialed 4 - 6 cm
- B) Connector with extensions for large hip flexion angle (106C), dialed 6 - 8 cm
- C) "Easy adjust" connector, allows for fuss-free adjustment of torso angle at hips (106)



## Ordering information

DESCRIPTION	PRODUCT NUMBER
Standard Connector (A)	104
Standard Connector, Heavy Duty (A)	104X
Standard Connector, Female	62
Standard Connector, Male	63
Extended Connector, Top	63T
Extended Connector, Bottom	63B
Easy Adjust Connector Assembly (C)	106
Easy Adjust Connector Assembly, Custom (B)	106C
Easy Adjust Tie Rod End, Male	EA1
Easy Adjust, Turnbuckle	EA2
Easy Adjust, Set Screw	EA3
Easy Adjust Tie Rod End, Female	EA4
Standard Connector Extender	EA5

## Cable Track Kit

US

### Product Features

Use when fabricating RGO metal pelvic bands. Cut the cable track to size, per fabricating instructions in RGO manual. When permanently attached to RGO pelvic band the cable track supports the cables and prevents them from rubbing the patient.



## Ordering information

SIZE	PRODUCT NUMBER
Cable Track Kit, For Metal Pelvic Bands	028730
<b>SPARE PARTS</b>	
026650 - Cable Track Molding, Copolymer (1 Each)	
885135 - Screw, Socket-Flat Head, 8-32 x 3/8 in. (4 Each)	

# Aluminum Pelvic Bands

US



## Product Features

- Full size patterns for cutting bands and contouring bands available on request
- Manual, measurement sheets and information on central fabrication services available on request

## Ordering information

PELVIC CIRCUMFERENCE	BAND SIZE	PRODUCT NUMBER
3/16 x 1-3/4 x 14-1/2 in. (4.8 x 44.5 x 368.3 mm)	19 – 21 in. (483 - 533 mm)	<b>027498</b>
3/16 x 1-3/4 x 15-1/2 in. (4.8 x 44.5 x 393.7 mm)	21 – 23 in. (533 - 584 mm)	<b>027500</b>
3/16 x 1-3/4 x 16-3/4 in. (4.8 x 44.5 x 425.5 mm)	23 – 25-1/2 in. (584 - 648 mm)	<b>027502</b>
3/16 x 1-3/4 x 18 in. (4.8 x 44.5 x 457.2 mm)	25-1/2 – 28 in. (648 - 711 mm)	<b>027504</b>
1/4 x 1-3/4 x 19-1/4 in. (6.4 x 44.5 x 489.0 mm)	28 – 30-1/2 in. (711 - 775 mm)	<b>027506</b>
1/4 x 1-3/4 x 21 in. (6.4 x 44.5 x 533.4 mm)	31 – 34 in. (787 - 864 mm)	<b>027508</b>
1/4 x 1-3/4 x 22-1/2 in. (6.4 x 44.5 x 571.5 mm)	34 – 37 in. (864 - 940 mm)	<b>027510</b>
1/4 x 1-3/4 x 24 in. (6.4 x 44.5 x 609.6 mm)	37 – 40 in. (940 - 1016 mm)	<b>027512</b>
1/4 x 1-3/4 x 26 in. (6.4 x 44.5 x 660.4 mm)	40 – 43 in. (1016 - 1092 mm)	<b>027514</b>

# Lower Abduction Bar Assembly

US



## Ordering information

SIZE	PRODUCT NUMBER RIGHT	PRODUCT NUMBER LEFT
Medium	<b>026156</b>	<b>026154</b>
Large	<b>026196</b>	<b>026198</b>

# Lower Bar Assembly without Abduction

US



Latch Knob Style For Small Sizes



Push Button Style For Medium and Large Sizes

## Ordering information

SIZE	PRODUCT NUMBER RIGHT	PRODUCT NUMBER LEFT
Small, Latch Knob	<b>026880</b>	<b>026881</b>
Small, Latch Knob X-long	<b>026884</b>	<b>026885</b>
Medium, Push Button	<b>026892</b>	<b>026893</b>
Large, Push Button X-long	<b>026900</b>	<b>026901</b>



# Knee Joints

US

## Product Features

- Constructed to be very stiff to lateral forces
- Heavy duty joints can be ordered with custom angle of pre-flexion (extra charge applies)
- Patients with hip and knee contractures can special order joints



## Ordering information

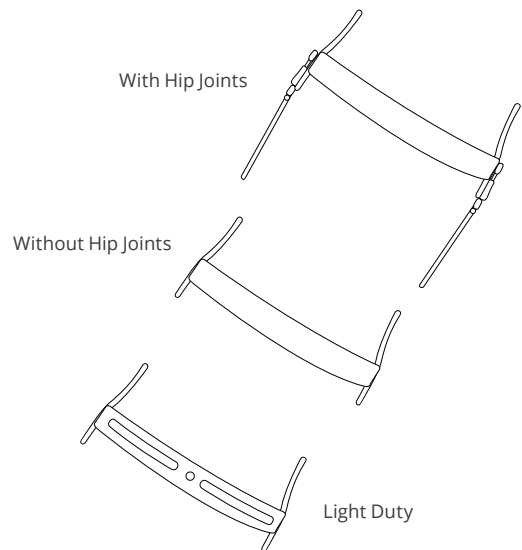
DESCRIPTION	PROD. NO. PAIR	PROD. NO. LEFT	PROD. NO. RIGHT
Standard 1/4 x 3/4 in. (6.4 x 19.1 mm)	<b>023802</b>	<b>208SL</b>	<b>208SR</b>
Extra Duty, Pair 1/4 x 1 in. (6.4 x 25.4 mm)	<b>208X</b>	<b>208XL</b>	<b>208XR</b>
Extra Extra Duty, Pair 3/8 x 1 in. (9.5 x 25.4 mm)	<b>208XX</b>	<b>208XXL</b>	<b>208XXR</b>

# Pelvic Bands

US

## Product Features

- Specialty pelvic bands for other than RGO usage; great for HKAFOS, Legg-Perthes, C.P. and other heavy uses
- Custom made to cast and measurements
- Heavy duty welded high strength aluminum construction
- Can be ordered "Standard" or "Light Duty"
- Can be ordered with free or lockable hip joints, as well as adjustable hip flexion angle
- Pelvic band can be made regular or light duty



## Ordering information

DESCRIPTION	PRODUCT NUMBER
Pelvic Band (Custom)	<b>E4</b>

# External Ankle Foot Orthosis (AFOs)

US

## Product Features

- As part of a RGO, these AFOs improve balance greatly, allow for easy don/doff, and eliminate footwear problems because they allow a patient to wear street shoes
- Work well as floor reaction AFOs
- Custom made from casts or measurements
- Available in three colors of polypropylene (blue, black, and natural)

Non-articulated



## Ordering information

DESCRIPTION	PRODUCT NUMBER
Non-Articulated	211N

# Standard In-Shoe Ankle Foot Orthosis (AFO)

US

## Product Features

- Custom made from casts or measurements
- Available in three colors of polypropylene (blue, black, and natural)

## Ordering information

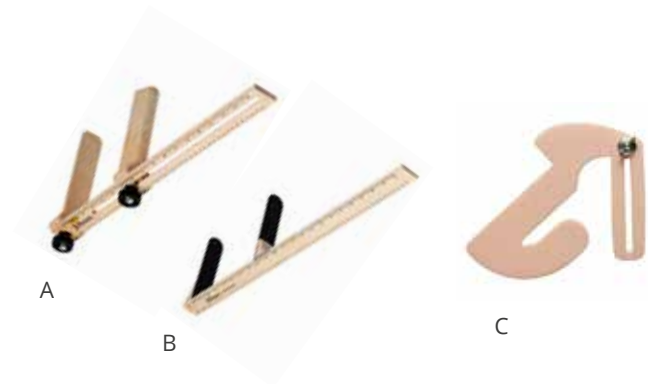
DESCRIPTION	PRODUCT NUMBER
Standard In-Shoe	211S

# Gauges

US

## Product Features

- Anatomical measuring tool
- Measures in inches and metric
- Adjustable Pelvic Casting Frame is available by request



## Ordering information

DESCRIPTION	PRODUCT NUMBER
A. 17 in. (432 mm) Universal A-P & M-L Gauge	220336
B. Original AP-ML Gauge	220335
C. Casting Fixture Gauge	220355



# Spinal Braces

## Specification symbols

SE Manufactured in Sweden

US Manufactured in USA

ES Manufactured in Spain

# Providence Nighttime Brace

US

## Product Features

- Night-time brace for the treatment of idiopathic scoliosis
- Corrective brace which works through hyper-correction
- Can treat apices up to T-6. Higher with neck extension
- Ordered by measurements on special board and provided x-ray.

## Indications

- Lumbar curves
- Thoracolumbal curves
- Thoracic curves
- Double major curves



## Ordering information

Use the Providence Order Form and include the patient's X-ray with your order.

For available transfer paper please see: <https://spinaltech.com/transfer-patterns>

DESCRIPTION	PRODUCT NUMBER
Providence Brace, finished	688500000
Measurement Board incl. Blocks (adult)	688000101
Extra Blocks (adult)	688000102
Pediatrics Blocks	688000104





# SCT 3-D Full-time Scoliosis Brace

US

## Product Features

- Full time corrective brace for the treatment of idiopathic scoliosis
- Computer enhanced modification via CAD/CAM technology
- Can treat apices up to T-7.
- Each design is customized to patient's shape and curve pattern



## Indications

- Lumbar curves
- Thoracolumbal curves
- Thoracic curves
- Double major curves

## Ordering information

Use the Scoliosis 3D Order Form and include the patient's X-ray with your order..

For available transfer paper please see: <https://spinaltech.com/transfer-patterns>

For information on available design variations visit: <https://spinaltech.com/resources/sct-full-time-orthosis-product-options-1>

DESCRIPTION	PRODUCT NUMBER
SCT 3-D Full-time Scoliosis Brace	68810021

# SCT 3D Chêneau (Style) Scoliosis Brace

US

## Product Features

- Full time corrective brace for the treatment of idiopathic scoliosis
- Computer enhanced modification via CAD/CAM technology
- Can treat apices up to T-7.
- Each design is customized to patient's shape and curve pattern
- Unlined orthosis

## Indications

- Lumbar curves
- Thoracolumbal curves
- Thoracic curves
- Double major curves



## Ordering information

Use the Scoliosis/ Kyphosis Brace Order Form and include the patient's X-ray with your order.

For available transfer paper please see: <https://spinaltech.com/transfer-patterns>

DESCRIPTION	PRODUCT NUMBER
SCT 3D Chêneau Scoliosis Brace	688100022



# Full-Time Scoliosis Brace

US

## Product Features

- Full time corrective brace for the treatment of idiopathic scoliosis
- Pressure pads with relief opposite
- Can treat apices up to T-7.
- Custom to measurements, scan or cast
- Finished to x-rays provided

## Indications

- Lumbar curves
- Thoracolumbal curves
- Thoracic curves
- Double major curves



## Ordering information

Use the Scoliosis/ Kyphosis Brace Order Form.

For Full-Time Scoliosis Brace by scanned model, also attach patient scan.

For available transfer paper please see: <https://spinaltech.com/transfer-patterns>

DESCRIPTION	PRODUCT NUMBER
Full-Time Scoliosis Brace	<b>688100010</b>
Full-Time Scoliosis Brace by scan	<b>688100011</b>

# Full-time Scoliosis Brace Module

US

## Product Features

- Corrective brace module
- Available in 22 sizes or by individual measurements
- 15° lordosis for prefabricated stock modules

## Indications

- Lumbar curves
- Thoracolumbal curves
- Thoracic curves
- Double major curves



## Ordering information

Use product numbers in chart below or individual measurements using the Order form Scoliosis/ Kyphosis Brace.

DESCRIPTION	PRODUCT NUMBER
Prefabricated Scoliosis module, unfinished	<b>6882150XX</b>
Scoliosis Module, Unfinished, by individual measurements	<b>688100000</b>

XYPHOID	WAIST	HIP	ASIS	PROD. NO.
48 cm	41 cm	53 cm	13 cm	<b>688215001</b>
51 cm	41 cm	58 cm	15 cm	<b>688215002</b>
53 cm	43 cm	61 cm	15 cm	<b>688215003</b>
56 cm	46 cm	66 cm	18 cm	<b>688215004</b>
56 cm	46 cm	71 cm	20 cm	<b>688215005</b>
58 cm	46 cm	71 cm	20 cm	<b>688215006</b>
61 cm	46 cm	76 cm	20 cm	<b>688215007</b>
64 cm	51 cm	79 cm	23 cm	<b>688215008</b>
66 cm	56 cm	79 cm	23 cm	<b>688215009</b>
66 cm	51 cm	81 cm	23 cm	<b>688215010</b>
66 cm	58 cm	81 cm	23 cm	<b>688215011</b>
71 cm	56 cm	84 cm	23 cm	<b>688215012</b>
69 cm	53 cm	86 cm	25 cm	<b>688215013</b>
69 cm	58 cm	86 cm	23 cm	<b>688215014</b>
74 cm	58 cm	89 cm	25 cm	<b>688215015</b>
74 cm	64 cm	89 cm	23 cm	<b>688215016</b>
71 cm	61 cm	91 cm	25 cm	<b>688215017</b>
76 cm	69 cm	91 cm	25 cm	<b>688215018</b>
76 cm	61 cm	94 cm	28 cm	<b>688215019</b>
84 cm	71 cm	94 cm	25 cm	<b>688215020</b>
79 cm	69 cm	97 cm	28 cm	<b>688215021</b>
86 cm	76 cm	97 cm	28 cm	<b>688215022</b>



# Kyphosis Brace

**US**

## Product Features

- Corrective brace for the treatment of kyphosis
- Anterior Milwaukee bar with sternal shield allows for height adjustment and extension force
- Easily concealed under clothing
- Low profile increases compliance
- Posterior is reinforced to allow corrective force at apex of kyphosis
- Finished to lateral x-rays provided



## Indications

- Scheuermann's Kyphosis
- Mild Structural Kyphosis,
- Postural Stabilization
- Kyphoscoliosis

## Ordering information

Use the Scoliosis/ Kyphosis Brace Order Form and include the patient's X-ray with your order.

For Kyphosis brace by scanned model, also attach patient scan.

For available transfer paper please see: <https://spinaltech.com/transfer-patterns>

DESCRIPTION	PRODUCT NUMBER
Kyphosis Brace	<b>688100025</b>
Kyphosis Brace by scan	<b>688100026</b>

# Kyphologic Brace

US

## Product Features

- Corrective brace for the treatment of kyphosis
- The trims are designed to allow hips & scapulae to be relieved of pressure, to move more freely and is easier to conceal under clothing.
- “Cow Horns” allow for adjustment of height, & pivot for more extension force.
- Finished to lateral x-rays provided



## Indications

- Scheuermann’s Kyphosis
- Mild Structural Kyphosis,
- Postural Stabilization

## Ordering information

Use the Scoliosis/ Kyphosis Brace Order Form and include the patient’s X-ray with your order.

For Kyphologic Brace by scanned model, also attach patient scan.

For available transfer paper please see: <https://spinaltech.com/transfer-patterns>.

DESCRIPTION	PRODUCT NUMBER
Kyphologic Brace	<b>68810023</b>
Kyphologic Brace by scan	<b>68810024</b>



# Pectus Brace

**US**

## Product Features

- Used to correct pectus deformity
- Easy donning and doffing.
- Adjustable compression achieved by ratchet mechanism
- Shoulder straps to maintain positioning
- Closed cell foam pads for ease of cleaning.
- Finished to measurements or Custom by scan



## Indications

- Protrusion of both the sternum (breast bone) and the cartilage portion of the ribs
- Bowed chest (Pigeon chest)
- Abnormal chest shape

## Ordering information

Use the Pectus Brace Order Form and include the patient's X-ray with your order.

DESCRIPTION	PRODUCT NUMBER
Pectus brace by measurement	<b>68860060</b>
Pectus brace by scan	<b>68860065</b>

# TLSO/LSO – Single opening

US

## Product Features

- Used to stabilize or position a patient.
- Custom, finished to measurements
- Ease of donning and doffing
- Optional openings: Posterior, Lateral (Right or Left)



LSO (low profile)



TLSO (high profile)

## Indications

- Post-Operative Lumbar Surgery
- Degenerative Disc Disease
- Spondylolysis
- Spondylolisthesis
- Spinal Stenosis
- Compression Fracture
- Herniated Disc
- Low Back Pain
- Spinal Trauma

## Ordering information

Use the LSO/TLSO, Single or Bivalve Opening Order Form.

For available transfer paper please see: <https://spinaltech.com/transfer-patterns>

DESCRIPTION	PRODUCT NUMBER
TLSO Single Opening, Finished	688600012
TLSO Single Opening, Unfinished	688600013
LSO Single Opening, Finished	688600010
LSO Single Opening, Unfinished	688600011





# FlexFoam 1 TLSO/LSO – Single opening

US



LSO (low profile)



TLSO (high profile)

## Product Features

- Used to stabilize or position a patient.
- Custom, finished to measurements
- Patented Flex Foam design maximizes comfort for all patients, especially geriatric and pediatric patients
- Removable external frame allows for easy adjustment.
- Ease of donning and doffing.
- Optional openings: Posterior, Lateral (Right or Left)

## Indications

- Cerebral Palsy
- Spondylolysis
- Myelomeningocele
- Spinal Stenosis
- Muscular Dystrophy
- Spinal Trauma
- Spondylolisthesis
- Compression Fracture
- Cancer Patients
- Degenerative Disc Disease
- Scoliotic Deformities
- Osteoporosis

## Material Options



### Flexfoam 2

The Flex Foam® 2 orthosis has the plastic frame internally, within the foam, instead of externally. The frame is sandwiched between a soft foam inner liner and firm foam outer liner.



### Flexfoam 3

The Flex Foam® 3 design, is a soft but firm foam construction with no frame, for a lightweight less rigid support orthosis.

## Ordering information

Use the Flex Foam Order Form.

For available transfer paper please see: <https://spinaltech.com/transfer-patterns>

DESCRIPTION	PRODUCT NUMBER
TLSO/LSO Single opening, FlexFoam 1, Finished	688600030
TLSO/LSO Single opening, FlexFoam 1, Unfinished	688600031
TLSO/LSO Single opening, FlexFoam 2, Finished	688600040
TLSO/LSO Single opening, FlexFoam 2, Unfinished	688600041
TLSO/LSO Single opening, FlexFoam 3, Finished	688600050
TLSO/LSO Single opening, FlexFoam 3, Unfinished	688600051

# TLSO/LSO – Bivalve opening

US

## Product Features

- Used to stabilize or position a patient.
- Custom, finished to measurements
- Ease of donning and doffing
- Bivalve design maximizes anterior and posterior control
- Multiple adjustable straps accommodate volume changes
- Optional openings: Smooth Overlap, Step Overlap, With Tongues, Anterior over Posterior, Anterior into Posterior

## Indications

- Post-Operative Fusion
- Spinal Muscular Atrophy
- Osteoporosis
- Compression Fracture
- Kyphosis
- Laminectomy
- Burst Fracture
- Spinal Trauma
- Spinal Stenosis

## Ordering information

Use the LSO/TLSO, Single or Bivalve Opening Order Form.

For available transfer paper please see: <https://spinaltech.com/transfer-patterns>

DESCRIPTION	PRODUCT NUMBER
TLSO Bivalve, Finished	688600022
TLSO Bivalve, Unfinished	688600023
LSO Bivalve, Finished	688600020
LSO Bivalve, Unfinished	688600021



LSO (low profile)



TLSO (high profile)



# FlexFoam 1 TLSO/LSO – Bivalve opening

US



LSO (low profile)

TLSO (high profile)

## Product Features

- Used to stabilize or position a patient
- Custom, finished to measurements
- Patented Flex Foam design maximizes comfort for all patients, especially geriatric and pediatric patients
- Removable external frame allows for easy adjustment.
- Ease of donning and doffing.
- Optional openings: Smooth Overlap, Step Overlap, With Tongues, Anterior over Posterior, Anterior into Posterior

## Indications

- Cerebral Palsy
- Spondylolysis
- Myelomeningocele
- Spinal Stenosis
- Muscular Dystrophy
- Spinal Trauma
- Spondylolisthesis
- Compression Fracture
- Cancer Patients
- Degenerative Disc Disease
- Scoliotic Deformities
- Osteoporosis

## Material Options



### Flexfoam 2

The Flex Foam® 2 orthosis has the plastic frame internally, within the foam, instead of externally. The frame is sandwiched between a soft foam inner liner and firm foam outer liner.

## Ordering information

Use the Flex Foam Order Form.

For available transfer paper please see: <https://spinaltech.com/transfer-patterns>

DESCRIPTION	PRODUCT NUMBER
TLSO/LSO Bivalve, FlexFoam 1, inished	688600032
TLSO/LSO Bivalve, FlexFoam 1, Unfinished	688600033
TLSO/LSO Bivalve, FlexFoam 2, Finished	688600042
TLSO/LSO Bivalve, FlexFoam 2, Unfinished	688600043

# Anterior Overlap (A.O.O) Brace

US



## Product Features

- Used to stabilize or position a patient
- Custom, finished to measurements
- Accommodates volume changes
- Circumferential support.
- Ability to create intra-abdominal compression
- Ease of donning and doffing.

## Indications

- Spinal Trauma
- Spondylolysis
- Spondylolisthesis
- Spinal Stenosis
- Lumbar Fusion
- Compression Fracture
- Laminectomy
- Degenerative Disc Disease
- Sport Injury

## Ordering information

Ordered by individual measurements using the LSO/TLSO, Single or Bivalve Opening

DESCRIPTION	PRODUCT NUMBER
Anterior Open Overlap Brace, Lined finished	<b>688600070</b>
Anterior Open Overlap Brace, Lined UnFinished	<b>688600071</b>
Anterior Open Overlap Brace, Unlined Finished	<b>688600072</b>
Anterior Open Overlap Brace, Unlined UnFinished	<b>688600073</b>



# Anterior Overlap (A.O.O) Module

US

## Product Features

- Stabilizing or positioning brace module
- Available in 16 sizes or by individual measurements
- 15° lordosis for prefabricated stock modules

## Indications

- Spinal Trauma
- Spondylolysis
- Spondylolisthesis
- Spinal Stenosis
- Lumbar Fusion
- Compression Fracture
- Laminectomy
- Degenerative Disc Disease
- Sport Injury



## Ordering information

Use product numbers in chart below.

### FEMALE SIZES/CM

	XYPHOID	WAIST	HIP	PROD. NO. LINED	PROD. NO. UNLINED
F33	74	66	84	<b>688015033</b>	<b>688115033</b>
F35	79	71	89	<b>688015035</b>	<b>688115035</b>
F37	84	76	94	<b>688015037</b>	<b>688115037</b>
F39	89	81	99	<b>688015039</b>	<b>688115039</b>
F41	94	86	104	<b>688015041</b>	<b>688115041</b>
F43	99	91	109	<b>688015043</b>	<b>688115043</b>
F45	104	97	114	<b>688015045</b>	<b>688115045</b>
F47	109	102	119	<b>688015047</b>	<b>688115047</b>

### MALE SIZES/CM

	XYPHOID	WAIST	HIP	PROD. NO. LINED	PROD. NO. UNLINED
M33	81	71	84	<b>688015133</b>	<b>688115133</b>
M35	86	76	89	<b>688015135</b>	<b>688115135</b>
M37	91	81	94	<b>688015137</b>	<b>688115137</b>
M39	97	86	99	<b>688015139</b>	<b>688115139</b>
M41	102	91	104	<b>688015141</b>	<b>688115141</b>
M43	107	97	109	<b>688015143</b>	<b>688115143</b>
M45	112	102	114	<b>688015145</b>	<b>688115145</b>
M47	117	107	119	<b>688015147</b>	<b>688115147</b>

## Spring Steel Strap kit

US

### Product Features

- Sold as individual kit
- Color white



### Ordering information

SIZE	PRODUCT NUMBER
15 cm	688000106
17,5 cm	688000107
20 cm	688000108
22,5 cm	688000109

## Spring Steel Stay

US

### Product Features

- Sold in pairs
- Color white



### Ordering information

SIZE	PRODUCT NUMBER
2.54 x 15 cm	688000006
2.54 x 20 cm	688000008
2.54 x 25.4 cm	688000010
2.54 x 30.5 cm	688000012
2.54 x 35.5 cm	688000014

## Welding Rod

US

### Ordering information

SIZE	PRODUCT NUMBER
Diameter 3 mm, Length 100 cm	688000103
Diameter 5 mm, Length 100 cm	688000105





## Basic Strap

**US**

### Product Features

- Velcro strap
- Sold individually
- Spare part Providence

### Ordering information

SIZE	PRODUCT NUMBER
25 x 254 mm	<b>688000137</b>
38 x 305 mm	<b>688000130</b>
50 x 305 mm	<b>688000131</b>
38 x 355 mm	<b>688000132</b>
50 x 355 mm	<b>688000014</b>

## Chafes with Triangular Body Clasp

**US**

### Product Features

- Sold individually
- Spare parts for Providence Braces
- Works with Spring Steel Strap
- Works with Basic Strap

### Ordering information

SIZE	PRODUCT NUMBER
25 mm	<b>688000136</b>
38 mm	<b>688000134</b>
50 mm	<b>688000135</b>

# Window Gusset (Elastic webbing)

US

## Product Features

- Sold 16 x 100 cm
- Color white



## Ordering information

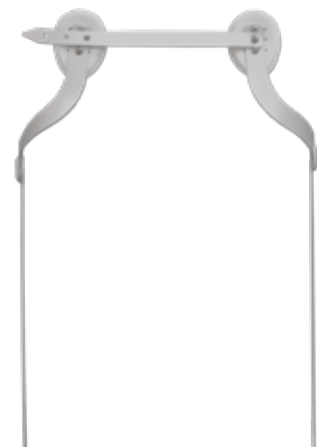
SIZE	PRODUCT NUMBER
16 x 100 cm	688000116

# Sub clavicular extension "Cow Horns"

US

## Product Features

- Sold individually
- 4 sizes



## Ordering information

SIZE	PRODUCT NUMBER
Small	688100030
Medium	688100031
Large	688100032
X-Large	688100033





# Providence Measurement Board incl. standard blocks

US



## Product Features

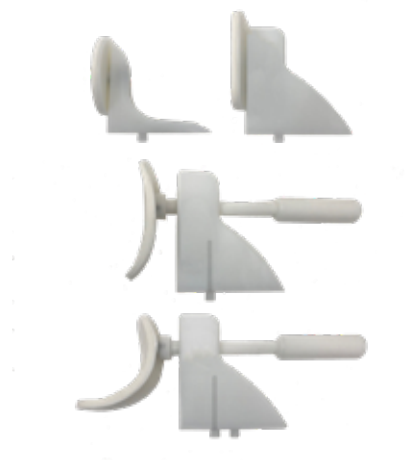
- Sold individually

## Ordering information

DESCRIPTION	PRODUCT NUMBER
Measurement Board incl. Blocks (standard)	<b>688000101</b>

# Extra Blocks (standard)

US



## Product Features

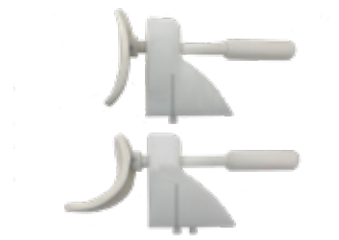
- Sold in set of 4

## Ordering information

DESCRIPTION	PRODUCT NUMBER
Standard Blocks	<b>688000102</b>

# Pediatric Blocks

US



## Product Features

- Sold in set of 2

## Ordering information

DESCRIPTION	PRODUCT NUMBER
Pediatric Blocks	<b>688000104</b>

# M-L stick

US



## Product Features

- Sold individually

## Ordering information

DESCRIPTION	PRODUCT NUMBER
M-L stick	<b>688000042</b>



# Insoles

## Specification symbols

SE Manufactured in Sweden

US Manufactured in USA

ES Manufactured in Spain

# TFC - Thermoformable Composite Insole

**SE**

## Product Features

- Flexible insoles are 0.06 in. (1.5 mm) thick and are better for shaping double curved, for example around the heel
- Rigid insoles are 0.1 in. (2.5 mm) thick and made to be used as a rolling insole for diabetic patients. Made for shaping single curves and is harder to shape around the heel
- Sold in pairs



## Ordering information

### TFC INSOLE FLEXIBLE, COMFIL®

SIZE	EUROPE	US WOMEN	US MEN	PRODUCT NUMBER
	35 - 37	5 - 6.5	3.5 - 5	<b>700030121</b>
	38 - 40	7.5 - 9.5	6 - 7.5	<b>700030122</b>
	41 - 43	9.5 - 10.5	8 - 9	<b>700030123</b>
	44 - 46	12 - 13.5	10.5 - 12	<b>700030124</b>

### TFC INSOLE RIGID, COMFIL®

SIZE	EUROPE	US WOMEN	US MEN	PRODUCT NUMBER
	35 - 37	5 - 6.5	3.5 - 5	<b>700030141</b>
	38 - 40	7.5 - 9.5	6 - 7.5	<b>700030142</b>
	41 - 43	9.5 - 10.	8 - 9	<b>700030143</b>
	44 - 46	12 - 13.5	10.5 - 12	<b>700030144</b>



# PEVA

## Specification symbols

SE Manufactured in Sweden

US Manufactured in USA

ES Manufactured in Spain

# PEVA Shoe - Open Toe Boots - Firm Heel Cap

ES

## Specifications

Warranty: 12 month

## Product Features

- Full leather lining
- Padded and free standing tongue
- Extra strengthening of the heel cap
- Heel inspection window



## Ordering information

### STRAIGHT MEDIUM LAST

SIZE	LAST LENGTH	PROD. NO. PAIR	PROD. NO. LEFT	PROD. NO. RIGHT
12	2.9 in. (73 mm)	697800012	697800112	697800212
13	3.1 in. (80 mm)	697800013	697800113	697800213
14	3.4 in. (86 mm)	697800014	697800114	697800214
15	3.7 in. (93 mm)	697800015	697800115	697800215
16	3.9 in. (100 mm)	697800016	697800116	697800216
17	4.2 in. (106 mm)	697800017	697800117	697800217
18	4.4 in. (113 mm)	697800018	697800018	697800218
19	4.7 in. (120 mm)	697800019	697800119	697800219
20	5.0 in. (126 mm)	697800020	697800120	697800220
21	5.2 in. (133 mm)	697800021	697800121	697800221
22	5.5 in. (140 mm)	697800022	697800122	697800222
23	5.8 in. (147 mm)	697800023	697800123	697800223
24	6.0 in. (153 mm)	697800024	697800124	697800224
25	6.2 in (158 mm)	697800025	697800125	697800225
26	6.5 in (165 mm)	697800026	697800126	697800226
27	6.8 in (173 mm)	697800027	697800127	697800227

**STRAIGHT NARROW LAST**

SIZE	LAST LENGTH	PROD. NO. PAIR	PROD. NO. LEFT	PROD. NO. RIGHT
12	2.9 in. (73 mm)	697805012	697805112	697805212
13	3.1 in. (80 mm)	697805013	697805113	697805213
14	3.4 in. (86 mm)	697805014	697805114	697805214
15	3.7 in. (93 mm)	697805015	697805115	697805215
16	3.9 in. (100 mm)	697805016	697805116	697805216
17	4.2 in. (106 mm)	697805017	697805117	697805217
18	4.4 in. (113 mm)	697805018	697805118	697805218
19	4.7 in. (120 mm)	697805019	697805119	697805219
20	5.0 in. (126 mm)	697805020	697805120	697805220
21	5.2 in. (133 mm)	697805021	697805121	697805221
22	5.5 in. (140 mm)	697805022	697805122	697805222
23	5.8 in. (147 mm)	697805023	697805123	697805223
24	6.0 in. (153 mm)	697805024	697805124	697805224
25	6.2 in. (158 mm)	697805025	697805125	697805225
26	6.5 in. (165 mm)	697805026	697805126	697805226
27	6.8 in. (173 mm)	697805027	697805127	697805227

**ABDUCTION LAST**

SIZE	LAST LENGTH	PROD. NO. PAIR	PROD. NO. LEFT	PROD. NO. RIGHT
12	2.9 in. (73 mm)	697803012	697803112	697803212
13	3.1 in. (80 mm)	697803013	697803113	697803213
14	3.4 in. (86 mm)	697803014	697803114	697803214
15	3.7 in. (93 mm)	697803015	697803115	697803215
16	3.9 in. (100 mm)	697803016	697803116	697803216
17	4.2 in. (106 mm)	697803017	697803117	697803217
18	4.4 in. (113 mm)	697803018	697803118	697803218
19	4.7 in. (120 mm)	697803019	697803119	697803219
20	5.0 in. (126 mm)	697803020	697803120	697803220
21	5.2 in. (133 mm)	697803021	697803121	697803221
22	5.5 in. (140 mm)	697803022	697803122	697803222
23	5.8 in. (147 mm)	697803022	697803123	697803223
24	6.0 in. (153 mm)	697803024	697803124	697803224
25	6.2 in. (158 mm)	697803025	697803125	697803225
26	6.5 in. (165 mm)	697803026	697803126	697803226
27	6.8 in. (173 mm)	697803027	697803127	697803227

# Clip-On Bar

US

## Specifications

Warranty: 12 month

## Product Features

- Adjustable bar
- Plates that clip on to bar
- Available with 0° or 10° dorsal flexion



## Ordering information

DESCRIPTION	LENGTH	PRODUCT NUMBER
Clip-On Bar 0° dorsal flexion	6 - 8 in. (152 - 203 mm)	<b>697000020</b>
Clip-On Bar 0° dorsal flexion	8 - 12 in. (203 - 305 mm)	<b>697000021</b>
Clip-On Bar 10° dorsal flexion	6 - 8 in. (152 - 203 mm)	<b>697000022</b>
Clip-On Bar 10° dorsal flexion	8 - 12 in. (203 - 305 mm)	<b>697000023</b>

# Denis Browne Splint

US

## Specifications

Warranty: 12 month

## Product Features

- Adjustable bar
- Holes for splint adapter
- Includes protractor wrench, hex key and screws



## Ordering information

SIZE	LENGTH	PRODUCT NUMBER
Small Footplates 3.0 in. (75 mm)	7-11 in. (177 - 279 mm)	<b>012195</b>
Small Footplates 3.0 in. (75 mm)	9-15 in. (228 - 381 mm)	<b>012203</b>
Large Footplates 3.9 in. (100 mm)	7-11 in. (177 - 279 mm)	<b>012196</b>
Large Footplates 3.9 in. (100 mm)	9-15 in. (228 - 381 mm)	<b>012204</b>





# Dobbs Bar

US



## Product Features

- Adjustable bar
- Less blisters and red spots on the back of the heels, because the brace moves with the child
- Children can sleep with one leg straight and the other bent which reduces stress on the child’s knees
- Warranty: 12 months

## Ordering information

SIZE	LENGTH	PRODUCT NUMBER
Plates 3.9 in. (100 mm)	8 - 12 in. (203 - 304 mm)	<b>697000010</b>

# Dobbs Bar Spring Assisted Quick Release

US



## Product Features

- For Mitchell Sandal
- Degree dial with a simple turn of screw
- Forefoot extension enable standing in brace
- Adjustable width
- Warranty: 12 months

## Ordering information

SIZE	LENGTH	PRODUCT NUMBER
Small	6 - 9 in. (152 - 229 mm)	<b>697000008</b>
Regular	9 - 11 in. (229 - 279 mm)	<b>697000009</b>





# Abduction Orthosis

## Specification symbols

.....  
**SE** Manufactured in Sweden

.....  
**US** Manufactured in USA

.....  
**ES** Manufactured in Spain  
.....

# COD SU\*PER 3D Hip Joint

US

## Product Features

- Limits ab-/adduction and internal/external rotation
- To be used with thigh cuffs or KAFO's
- Allows full hip flexion and extension
- Warranty: 12 months

## Ordering information



DESCRIPTION	PRODUCT NUMBER
Quick Disconnect	S3DQD

# A.A.O. - Anti-Adduction Orthosis

US

## Product Features

- Aluminum joint with stainless steel adjustment sliders
- Cuffs are 0.16 in. (4 mm) copolymer
- Silicone medial condylar wedges for comfort included
- Prevents scissoring during gait
- Warranty: 12 months



## Ordering information

DESCRIPTION	PRODUCT NUMBER
Small Copolymer Cuffs, 6.5 - 10 in. (165 - 254 mm)	052110
Medium Copolymer Cuffs, 10 in. and above (254 mm and above)	052112
Custom Fabricated A.A.O.	511514
A.A.O. joint only	052100

### SPARE PARTS - CONDYLAR WEDGES WITH VELCRO

- A 127553 - Small
- B 127556 - Medium
- C 127558 - Large



# Scottish Rite Kit

US

## Product Features

- Hip abduction spreader bar kit (thigh cuffs not included)
- Warranty: 12 months



## Ordering information

### FOR THIGH CUFF ATTACHMENT

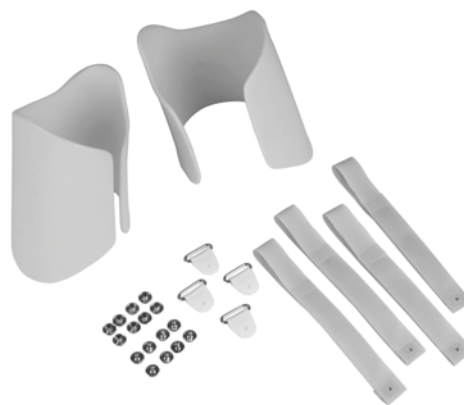
DESCRIPTION	PRODUCT NUMBER
Small, 7 - 11 in. (178 - 279 mm) Adjustable with Medial Thigh Bar, small	<b>050322</b>
Large, 9 - 15 in. (229 - 381 mm) Adjustable with Medial Thigh Bar, large	<b>050326</b>

### FOR BILATERAL KAFO

DESCRIPTION	PRODUCT NUMBER
Small, 7 - 11 in. (178 - 279 mm) Adjustable, small	<b>050320</b>
Large, 9 - 15 in. (229 - 381 mm) Adjustable, large	<b>050324</b>

### SUBORTHOLEN THIGH CUFFS (PAIRS)

DESCRIPTION	PRODUCT NUMBER
Circumference up to 12-1/2 in. (32 cm) (including 2 velcro)	<b>050021</b>
Circumference up to 13-5/8 in. (37 cm) (including 3 velcro)	<b>050039</b>
Circumference up to 14-5/8 in. (39.6 cm) (including 3 velcro)	<b>050047</b>



# Thrust Bearing Hip Joint Assemblies

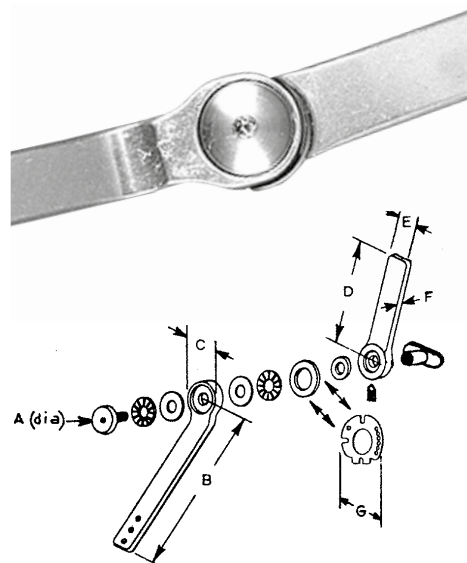
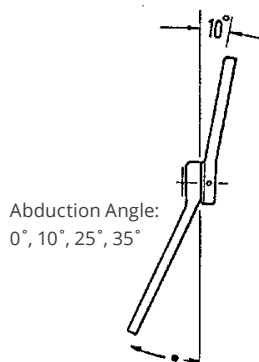
US

## Specifications

SIZE	A	B	C	D	E	F	G
Small	13/16	6	31/32	5	5/8	3/16	1-7/8
Medium	15/16	7-1/2	1-1/8	5-1/2	13/16	1/4	1-7/8
Large	1-1/8	8	1-7/16	6	7/8	5/16	2-1/4

## Product Features

- Joint size selected on basis of patient weight and height
- Abduction angles at 25° and 35° correspond to bilateral hip abduction angle of 70° and 90° respectively
- Thrust bearings for low friction
- Preset abduction angle
- Various motion control options available



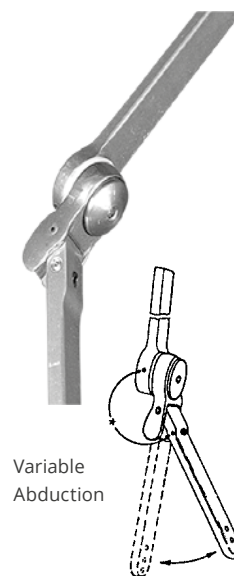
## Ordering information

SIZE	HEAD DIAMETER	PROD. NO. 0° ABDUCTION*	PROD. NO. 10° ABDUCTION*	PROD. NO. 25° ABDUCTION*	PROD. NO. 35° ABDUCTION*
Small	31/32 in. (24.6 mm)	<b>058642</b>	<b>058644</b>	<b>058646</b>	<b>058648</b>
Medium	1-1/8 in. (28.6 mm)	<b>058545</b>	<b>058552</b>	<b>058560</b>	<b>058578</b>
Large	1-7/16 in. (36.5 mm)	<b>058586</b>	<b>058594</b>	<b>058602</b>	<b>058610</b>

\* Lateral surface of thigh is not parallel to long axis of femur. Abduction angle of femur equals joint angle plus 10°

NOTE: During final assembly of joint, apply #242 Loctite to threads of joint screw and set screw

SIZE	PROD. NO. VARIABLE ABDUCTION	PROD. NO. VARIABLE ABDUCTION WITH XLONG 12 IN. LOWER HIP JOINT BAR
Small	<b>050728</b>	-
Medium	<b>050732</b>	<b>050758</b>
Large	<b>050757</b>	<b>050759</b>

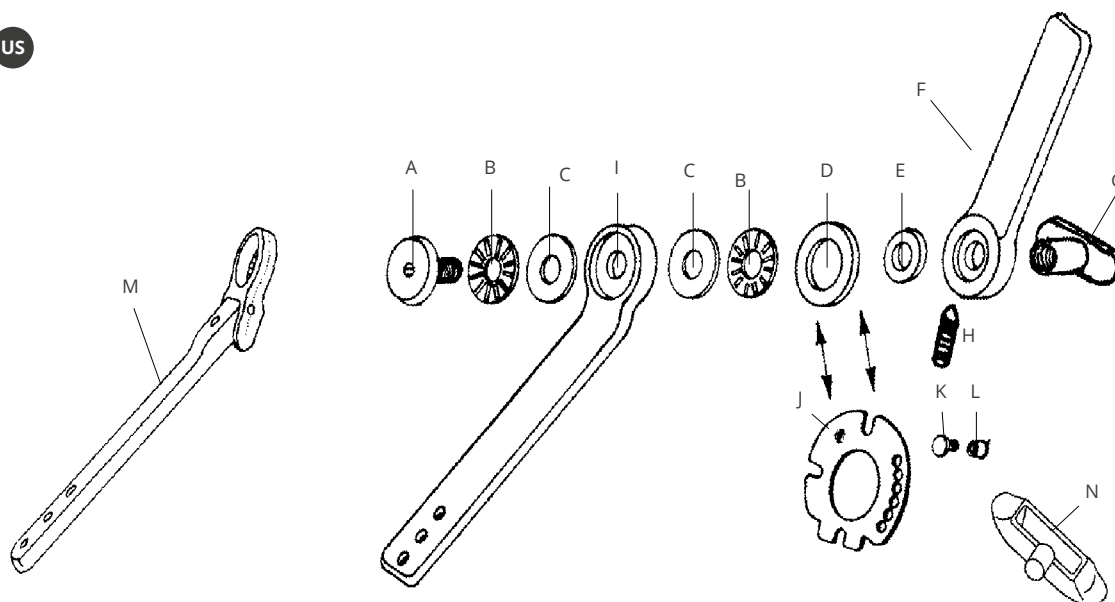


Variable Abduction



# Thrust Bearing Hip Joint Components Scottish Rite

US



## Ordering information

DESCRIPTION	PROD. NO. SMALL	PROD. NO. MEDIUM	PROD. NO. LARGE
A Joint Screw	027946	026534	027771
B Thrust Bearing (2 each)	027979	027045	027797
C Thrust Race (2 each)	027987	027052	027805
D Spacer (Plastic)	883078	883076	883074
E Spacer (Inner)	026708	028621	028647
F Upper Hip Joint Bar	027904	026955	027730
G Joint Nut	027953	026542	028399
H Set Screw	027961	027961	027896
I Lower Hip Joint Bar, 0°	050890	050716	050708
I Lower Hip Joint Bar, 10°	050893	050724	050542
I Lower Hip Joint Bar, 25°	050895	050617	050559
I Lower Hip Joint Bar, 35°	050897	050625	050567
J Motion Control Plate	808528	808529	808537
K Stop Screw	880670	880670	880672
L Nut	881003	881003	881011
M Variable Abduction Lower Hip Joint Bar	050772	050774	050776
M Variable Abduction Lower Hip Joint Bar, XLong	-	050778	050780
N Drop Lock	050869	050870	050874
N Abd, Screw, Set, 1/4"-28 x 7/16 in., (Not Shown)	-	880303	880305
N Abd. Screw, Adj., 1/4"-28 x 3/4 in., (Not Shown)	-	880306	880306
N Abd, Screw, Set, 10-32 x 3/8 in., (Not Shown)	880025	880311	880312

# Motion Control Plate and Drop Lock Scottish Rite

US



## Ordering information

CIRCUMFERENCE RANGE	PROD. NO. SMALL	PROD. NO. MEDIUM	PROD. NO. LARGE
Motion Control Plate	<b>058528</b>	<b>058529</b>	<b>058537</b>
Drop Lock Only	<b>050869</b>	<b>050870</b>	<b>050874</b>
Drop Lock and Control Plate	<b>050876</b>	<b>050878</b>	<b>050882</b>

# Hip Joint Assemblies, Stainless Steel Scottish Rite

US



## Ordering information

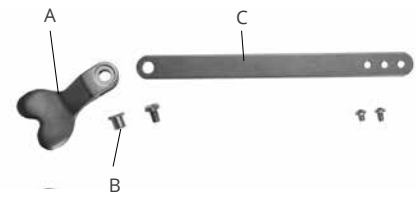
DESCRIPTION	MEASUREMENTS	PRODUCT NUMBER
Small	1/8 x 5/8 x 5-3/8 in. (3.2 x 15.9 x 136.5 mm)	<b>050336</b>
Large	3/16 x 3/4 x 8-1/2 in. (4.8 x 19.1 x 215.9 mm)	<b>050070</b>
Screw, Fillister Head (Sold Separately)	10-32 x 5/16 in.	<b>880906</b>
Screw, Pan Head (Sold Separately)	1/4"-28 x 7/16 in.	<b>029181</b>

### SPARE PARTS - SMALL

- A** 050468 - Upper
- B** 029223 - Joint Nut, 3/8 x 23/64 in.
- C** 050351 - Lower, 1/8 x 5/8 x 5-3/8 in.

### SPARE PARTS - LARGE

- A** 050484 - Upper, 3/8 in. Offset
- B** 029223 - Joint Nut, 3/8 x 23/64 in.
- C** 050096 - Lower, 3/16 x 3/4 x 8-1/2 in.







# Component Kits with Telescoping Spreader Bar - Scottish Rite

US

## Product Features

- Refer to Central Fabrication Price List for custom orthosis
- Measurement sheet available
- Reprints available of Dr. Wood W. Lovell's paper, The Scottish Rite Hospital Orthosis for Legg-Perthes Disease

## Ordering information

SIZE	PATIENT HEIGHT	PRODUCT NUMBER
Small, 1-2 years	< 36 in. (< 914 mm)	<b>050435</b>
Small Partial Kit, 1-2 years*	< 36 in. (< 914 mm)	<b>050393</b>
Large	> 36 in. (> 914 mm)	<b>050427</b>

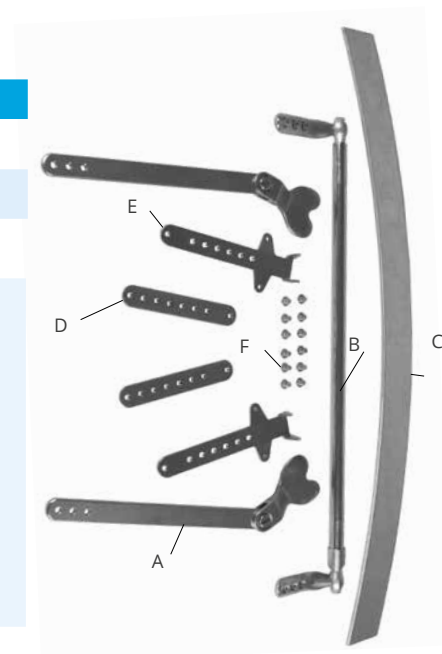
### SPARE PARTS - SMALL KIT & PARTIAL SMALL KIT (NOTE: PARTIAL KIT ONLY INCLUDES PARTS A & B)

- A** 050336 - Hip Joint Assembly, 2 Each
- B** 050344 - Telescoping Spreader Bar Assembly
- C** 027708 - Pelvic Band, 6 x 1-1/2 x 20 in.
- D** 050385 - Medial Thigh Bar, 2 Each
- E** 050375 - Lateral Thigh Bar, 2 Each
- F** 885906 - Button Head Socket Cap Screw, 10 Each

### SPARE PARTS - LARGE KIT

- A** 050070 - Hip Joint Assembly, 2 Each
- B** 050310 - Telescoping Spreader Bar Assembly
- C** 027710 - Pelvic Band, 3/16 x 1-3/4 x 20 in.
- D** 050161 - Medial Thigh Bar, 2 Each
- E** 050139 - Lateral Thigh Bar, 2 Each
- F** 885906 - Screws, 10-32 x 1/4 in., Button Head Socket Cap Screw, 10 Each
- 885904 - Screws, 10-32 x 5/16 in., Button Head Socket Cap Screw, 6 Each

\* Only includes part A and B



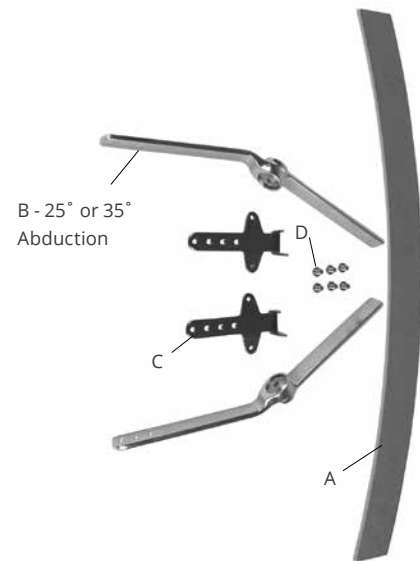
Dynamic Walk  
Orthotic Joints  
RGO & IRGO  
Spinal Braces  
Insoles  
Peva  
Abduction Orthosis  
Tiny Titans

# Fixed 25° and 35° Abduction Thrust Bearing Hip Joints - Scottish Rite

US

## Product Features

- Contact Central Fabrication for custom orthosis
- Measurement sheet available
- Reprints available of Dr. Wood W. Lovell's paper, The Scottish Rite Hospital Orthosis for Legg-Perthes Disease



## Ordering information

### 25° ABDUCTION COMPONENT KIT

SIZE	PRODUCT NUMBER
Small	<b>050454</b>
Medium	<b>050810</b>
Large	<b>050826</b>

#### SPARE PARTS - SMALL

A 027708 - Pelvic Band	C 050375 - Lateral Thigh Bars, 2 Each
B 058646 - Thrust Bearing Hip Joint 25°, 2 Each	D 885904 - Screws, 10-32 x 5/16 in., Button Head Socket Cap Screw, 6 Each

#### SPARE PARTS - MEDIUM

A 027708 - Pelvic Band	C 050139 - Lateral Thigh Bars, 2 Each
B 058560 - Thrust Bearing Hip Joint 25°, 2 Each	D 885902 - Screws, 10-32 x 3/8 in., Button Head Socket Cap Screw, 6 Each

#### SPARE PARTS - LARGE

A 027710 - Pelvic Band, 3/16 x 1-3/4 x 20 in.	C 050139 - Lateral Thigh Bars, 2 Each
B 058602 - Thrust Bearing Hip Joint 25°, 2 Each	D 885900 - Screws, 10-32 x 1/2 in., Button Head Socket Cap Screw, 6 Each

### 35° ABDUCTION COMPONENT KIT

SIZE	PRODUCT NUMBER
Small	<b>050456</b>
Medium	<b>050818</b>
Large	<b>050834</b>

#### SPARE PARTS - SMALL

A 027708 - Pelvic Band, 3/16 x 1-1/2 x 20 in.	C 050375 - Lateral Thigh Bars, 2 Each
B 058648 - Thrust Bearing Hip Joint 35°, 2 Each	D 885904 - Screws, 10-32 x 5/16 in., Button Head Socket Cap Screw, 6 Each

#### SPARE PARTS - MEDIUM

A 027708 - Pelvic Band, 3/16 x 1-1/2 x 20 in.	C 050139 - Lateral Thigh Bars, 2 Each
B 058578 - Thrust Bearing Hip Joint 35°, 2 Each	D 885902 - Screws, 10-32 x 3/8 in., Button Head Socket Cap Screw, 6 Each

#### SPARE PARTS - LARGE

A 027710 - Pelvic Band, 3/16 x 1-3/4 x 20 in.	C 050139 - Lateral Thigh Bars, 2 Each
B 058610 - Thrust Bearing Hip Joint 35°, 2 Each	D 885900 - Screws, 10-32 x 1/2 in., Button Head Socket Cap Screw, 6 Each

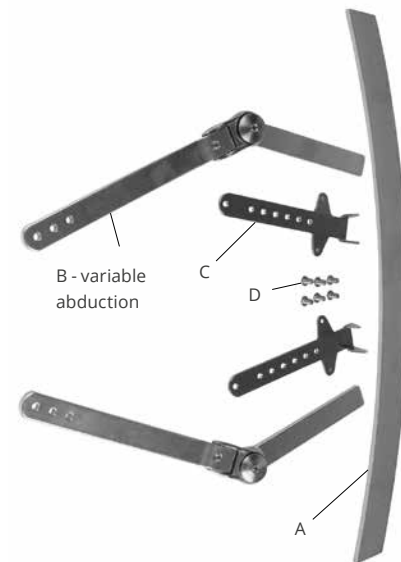


# Variable Abduction Thrust Bearing Hip Joints - Scottish Rite

US

## Product Features

- Contact Central Fabrication for custom orthosis
- Measurement sheet available
- Reprints available of Dr. Wood W. Lovell's paper, The Scottish Rite Hospital Orthosis for Legg-Perthes Disease



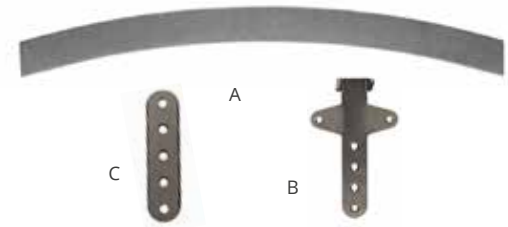
## Ordering information

SIZE	PRODUCT NUMBER
Small	<b>050458</b>
Medium	<b>050842</b>
Large	<b>050850</b>
<b>SPARE PARTS - SMALL</b>	
<b>A</b> 027708 - Pelvic Band, 3/16 x 1-1/2 x 20 in.	<b>C</b> 050375 - Lateral Thigh Bars, 2 Each
<b>B</b> 050728 - Thrust Bearing Hip Joint, 2 Each	<b>D</b> 885902 - Screws, 10-32 x 3/8 in., Button Head Socket Cap Screw, 6 Eac
<b>SPARE PARTS - MEDIUM</b>	
<b>A</b> 027708 - Pelvic Band, 3/16 x 1-1/2 x 20 in.	<b>C</b> 050139 - Lateral Thigh Bars, 2 Each
<b>B</b> 058560 - Thrust Bearing Hip Joint, 2 Each	<b>D</b> 885902 - Screws, 10-32 x 3/8 in., Button Head Socket Cap Screw, 6 Eac
<b>SPARE PARTS - LARGE</b>	
<b>A</b> 027710 - Pelvic Band, 3/16 x 1-3/4 x 20 in.	<b>C</b> 050139 - Lateral Thigh Bars, 2 Each
<b>B</b> 050757 - Thrust Bearing Hip Joint, 2 Each	<b>D</b> 885900 - Screws, 10-32 x 1/2 in., Button Head Socket Cap Screw, 6 Each

Dynamic Walk  
Orthotic Joints  
RGO & IRGO  
Spinal Braces  
Insoles  
Peva  
Abduction Orthosis  
Tiny Titans

# Pelvic Bands and Thigh Bars Scottish Rite

US



## Ordering information

DESCRIPTION	MEASUREMENTS	PRODUCT NUMBER
A Pelvic Band, Aluminum	3/16 x 1-1/2 x 20-1/2 in. (4.8 x 38.1 x 520.7 mm)	<b>027708</b>
A Pelvic Band, Aluminum	3/16 x 1-3/4 x 24 in. (4.8 x 44.5 x 609.6 mm)	<b>027710</b>
B Lateral Thigh Bar with Loop	1/8 x 5/8 x 3-3/8 in. (3.2 x 15.9 x 85.7 mm)	<b>050375</b>
B Lateral Thigh Bar with Loop	1/8 x 3/4 x 3-1/2 in. (3.2 x 19.1 x 88.9 mm)	<b>050137</b>
B Lateral Thigh Bar with Loop	1/8 x 3/4 x 5-1/2 in. (3.2 x 19.1 x 139.7 mm)	<b>050139</b>
C Medial Thigh Bar	1/8 x 5/8 x 2-1/2 in. (3.2 x 15.9 x 63.5 mm)	<b>050385</b>
C Medial Thigh Bar	1/8 x 3/4 x 4-1/2 in. (3.2 x 19.1 x 114.3 mm)	<b>050161</b>

# Telescoping Spreader Bars Scottish Rite

US



## Ordering information

DESCRIPTION	ROD ENDS	PRODUCT NUMBER
12 in. (304.8 mm) Small	- 5/16 in. with 3/8 in., Stainless Steel Tubing - 1/2 in. Stainless Steel Tubing with Two Medial Attachment	<b>050344</b>
16-1/2 in. (419.1 mm) Long	- 3/8 in. Rod End with 7/16 in. Stainless Steel Tubing - 3/8 in. Rod End with 9/16 in. Stainless Steel Tubing with Two Medial Attachment Bars	<b>050310</b>



# Index

2400 Bar Kit	44	Bearing Hip Joints - Scottish Rite	107
A.A.O. - Anti-Adduction Orthosis	101	FlexFoam 1	
Aluminum Pelvic Bands	69	TLSO/LSO – Bivalve opening	84
Ankle Joint - Double Action	34	FlexFoam 1	
Ankle Joint - Limited/ Free Motion	33	TLSO/LSO – Single opening	82
Ankle Joint - Toe Pick Up	33	Full-Time Scoliosis Brace	76
Anterior Overlap (A.O.O) Brace	85	Full-time Scoliosis Brace Module	77
Anterior Overlap (A.O.O) Module	86	Gauges	71
Bar Kit	44	Hip Joint Assemblies, Stainless Steel	
Basic Strap	88	Scottish Rite	105
Cable Track Kit	68	Hoop Cable RGO Cables and Housings	57
Catalog symbol legend	9	Horizontal RGO Cables	65
Chafes with Triangular Body Clasp	88	Insert Stirrup For Plastic Orthotics	38
Clip-On Bar	97	Integrated Ankle Joint	
Close Contour	47	Adjustable range of motion	28
Close Contour Pediatric Knee Joint	45	Integrated Ankle Joint	
COD SU*PER 3D Hip Joint	101	Dorsiflexion Assist	29
Component Kits with Telescoping Spreader Bar - Scottish Rite	106	Integrated Ankle Joint, Double Action	28
Denis Browne Splint	97	Interlock™	43
Dobbs Bar	98	Knee Joints	70
Dobbs Bar Spring Assisted Quick Release	98	Kyphologic Brace	79
Dorsiflexion Assist Ankle Joint Kits With Polycar-C	40	Kyphosis Brace	78
Drop Lock Aluminum Hip Joint		Large Hooped Cable RGO with Abduction	56
Assemblies	49	Large Hooped Cable RGO without Abduction	55
Drop Lock Aluminum Knee Joint		Large Horizontal Cable RGO with Abduction	64
Assemblies	49	Large Horizontal Cable RGO without Abduction	63
Drop Lock Low Profile Aluminum Knee Joint Assemblies	50	Latch Knob for Small Hooped Cable RGO	58
Dynamic Walk - Custom Made	24	Latch Knob for Small Horizontal Cable and Rocker Bar RGOs	66
Dynamic Walk - Double-Double	15	Lever Release Kit - LRK	46
Dynamic Walk - Mix & Match	22	Lower Abduction Bar Assembly	69
Dynamic Walk - Mix & Match		Lower Bar Assembly without	
Custom Calf Height or Foot Length	23	Abduction	69
Dynamic Walk - Modular	21	Medium Horizontal Cable RGO with Abduction	62
Dynamic Walk - Shoe Mount	20	Medium Horizontal Cable RGO without Abduction	61
Dynamic Walk - Single Side Anterior	19	M-L stick	91
Dynamic Walk - Single Side Lateral	18	Modular Integrated Ankle Joint,	
Dynamic Walk - Single Side Medial	17	Adjustable Range of Motion	27
Dynamic Walk - Size Charts	11	Modular Integrated Ankle Joint,	
Dynamic Walk - Standard	13	Double Action	27
Dynamic Walk Standard, Dynamic Walk Wide Ankle	11	Motion Control Plate and Drop Lock	
Dynamic Walk - Wide Ankle	14	Scottish Rite	105
Dynamic Walk - Wide Ankle Double-Double	16	PDA Ankle Joint Kits With Polycar-C	41
External Ankle Foot Orthosis (AFOs)	71	Pectus Brace	80
Extra Blocks (standard)	90	Pediatric Blocks	91
Fillauer Product Warranty	6	Pelvic Bands	70
Fixed 25° and 35° Abduction Thrust			

Pelvic Bands and Thigh Bars		TLSO/LSO – Bivalve opening	<b>83</b>
Scottish Rite	<b>109</b>	TLSO/LSO – Single opening	<b>81</b>
PEVA Shoe - Open Toe Boots - Firm Heel Cap	<b>95</b>	Trigger Release for Camlocks	<b>48</b>
Polycar-C™ Ankle Inserts	<b>39</b>	Variable Abduction Thrust Bearing	
Providence Measurement Board		Hip Joints - Scottish Rite	<b>108</b>
incl. standard blocks	<b>90</b>	Welding Rod	<b>87</b>
Providence Nighttime Brace	<b>73</b>	Window Gusset (Elastic webbing)	<b>89</b>
Push Button for Hooped Cable RGO	<b>58</b>	Zippy Quick Release	<b>48</b>
Push Button for Horizontal Cable			
and Rocker Bar RGOs	<b>66</b>		
Rectangle Caliper Plates	<b>38</b>		
Release Kit RBK	<b>45</b>		
Release Kit SBK	<b>45</b>		
Release Kit - UBK	<b>46</b>		
Returns, Adjustments, and Credits	<b>7</b>		
RGO II System for Hooped Cable RGO with Abduction	<b>59</b>		
RGO II System for Horizontal Cable and Rocker Bar RGOs	<b>67</b>		
RGO/IRGO Overview	<b>53</b>		
Scottish Rite Kit	<b>102</b>		
SCT 3D Chêneau (Style) Scoliosis Brace	<b>75</b>		
SCT 3-D Full-time Scoliosis Brace	<b>74</b>		
Short Leg Upright - Double Action	<b>31</b>		
Short Leg Upright - limited/ free motion	<b>31</b>		
Short Leg Upright - Toe Pick Up	<b>32</b>		
Small Hooped Cable RGO	<b>54</b>		
Small Horizontal Cable RGO	<b>60</b>		
Solid Stirrups - Wide Tongue	<b>30</b>		
Specialty Connectors			
for ISOCENTRIC® RGO	<b>68</b>		
Split Tail Stirrups	<b>30</b>		
Spring Loaded Lever Lift	<b>50</b>		
Spring Steel Stay	<b>87</b>		
Spring Steel Strap kit	<b>87</b>		
Standard In-Shoe Ankle Foot Orthosis (AFO)	<b>71</b>		
Steplock®	<b>42</b>		
Stirrups			
Long Tongue & Wide Toungue	<b>37</b>		
Stirrups - Split Tongue	<b>36</b>		
Stirrups - Standard	<b>35</b>		
Sub clavicular extension			
“Cow Horns”	<b>89</b>		
Telescoping Spreader Bars			
Scottish Rite	<b>109</b>		
TFC - Thermoformable Composite Insole	<b>93</b>		
Thrust Bearing Hip Joint Assemblies	<b>103</b>		
Thrust Bearing Hip Joint Components			
Scottish Rite	<b>104</b>		

